

UNIBRAKE® AC Motor Brakes



An Altra Industrial Motion Company

Page 4-9



Page 10-13



Page 14-17



Warner Electric UNIBRAKE® decelerates or holds loads when power is off

C-Face, Power-Off Brakes

Single C-Face Power-Off Brakes are designed to decelerate or hold inertia loads when the power is turned off. The single C-Face mounts on the non-driven end of a motor. Brakes are available from 3 ft. lb. to 15 ft. lb.

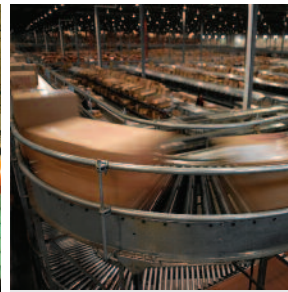
C-Face, Power-Off Brakes with Heavy-Duty Enclosures

Our Single C-Face Power-Off Brake is also available with cast iron housing for applications involving corrosive environments. The heavy-duty housing also includes o-ring seals to create a dust-tight brake. Brakes are available from 3 ft. lb. to 15 ft. lb.

Double C-Face, Power-Off Brakes

The Double C-Face Brake is designed for use as a coupler between standard C-Face motors and C-Face gear reducers.

UNIBRAKE® is available to meet the demands of a wide variety of applications



Applications

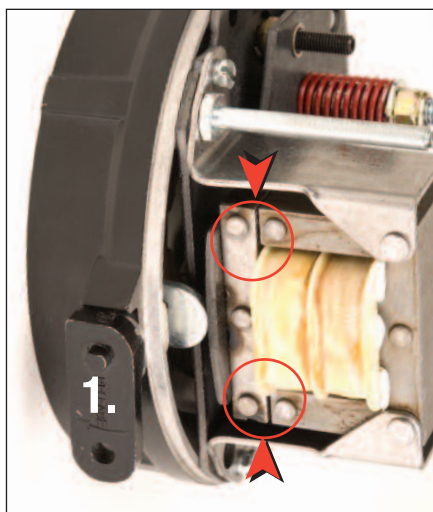
The motor brakes are commonly used as parking brakes to hold a load in place or as stopping brakes to dynamically decelerate a load. Applications include:

- Material Handling
- Food Processing
- Machine Tools

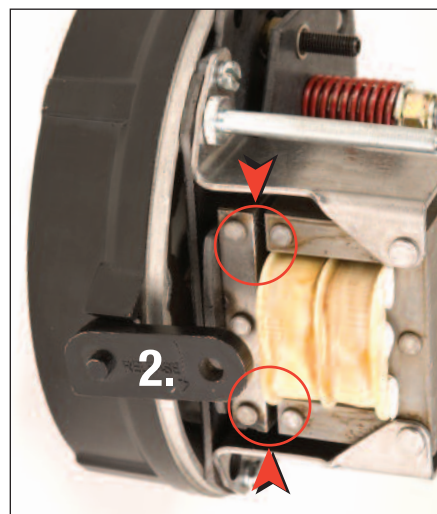
Spring Applied — Power-Off Operation

Warner Electric spring applied motor brakes are designed to decelerate or park inertial loads when the voltage is turned off, either intentionally or accidentally, as in the case of power failure. The friction disc with the hub is coupled to the motor shaft to be braked but is capable of moving axially. When power is off, a spring force clamps the friction disc between a pressure plate and a stationary plate, hence retarding motion. When an AC voltage is applied, the solenoid creates a **Direct Acting** magnetic force which releases the friction disk **without the use of a linkage**. This allows the hub and motor shaft to turn freely.

Simple design with fewer moving parts means less downtime



1. When the motor is 'off', the driven load can be moved without energizing the motor by rotating the manual release lever 90° clockwise which removes the retarding torque from the motor shaft.



2. The lever returns to the normal "set" position when the brake is re-energized.

Features

- External manual release lever
- Totally enclosed construction
- Torque adjustable from full rated torque down to 50%
- Single phase AC coils provide fast engagement and release times and easy wiring.

Mounting

Two styles are available: the single C-Face brake and the double C-Face brake. The single C-Face mounts on the non-driven end of a motor. The C-Face brake is interchangeable with existing brakes and can be used on motors that are modified to accept a brake. The double C-Face brake can be used as a coupler between standard C-Face motors and C-Face gear reducers. All motor brakes are interchangeable with competitive motor brakes.

C-FACE POWER-OFF BRAKES

F Series AC Rear-Mounted Brakes with NEMA 2 Housing Aluminum Head-Steel Cover

56,000 NEMA 2 ; 56,100 NEMA 2 ; 56,300 NEMA 1



Warner Electric Single C-Face Power-Off Brakes are designed to decelerate or hold inertia loads when the power is turned off. The single C-Face mounts on the non-driven end of a motor. Brakes are available from 3 ft. lb. to 15 ft. lb.

Features:

- External manual release lever
- Totally enclosed construction
- Torque adjustable from full-rated torque down to 50%
- Single-phase AC coils to provide fast release times and easy wiring
- Single C-Face

Brake Part Numbers

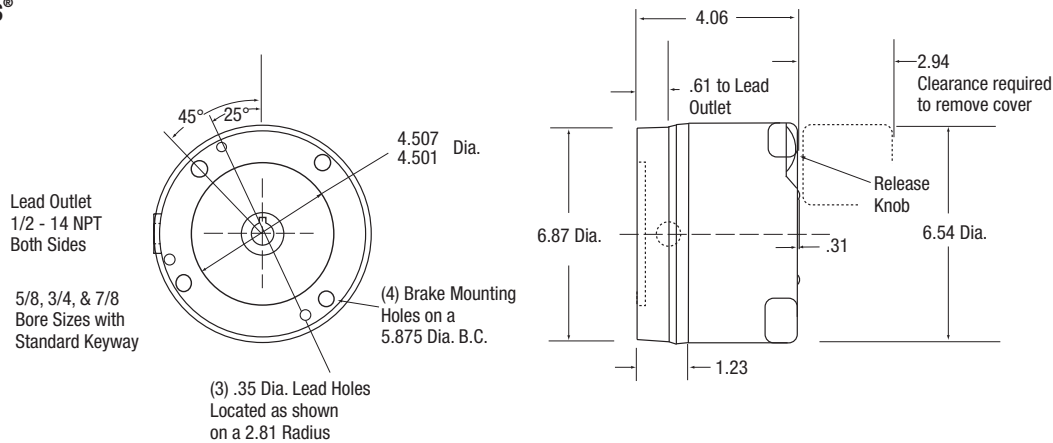
Technical Data

Coil Voltage	3 ft. lb. Brakes (1 Disc)	6 ft. lb. Brakes (1 Disc)	10 ft. lb. Brakes (2 Discs)	15 ft. lb. Brakes (3 Discs)	Current Holding Amps	Current Inrush Amps
5/8 Bore Hub						
115/230, 60 HZ	F51A0321-W	F51A0621-W	F52A0721-W	F53A0821-W	.50/.25	3.66/1.83
230/460, 60 HZ	F51A0324-W	F51A0624-W	F52A0724-W	F53A0824-W	.28/.14	1.94/.97
287/575, 60 HZ	F51A0325-W	F51A0625-W	F52A0725-W	F53A0825-W	.22/.11	1.54/.77
115/230, 50 HZ	F51A0328-W	F51A0628-W	F52A0728-W	F53A0828-W	.45/.22	3.27/1.64
230/460, 50 HZ	F51A0329-W	F51A0629-W	F52A0729-W	F53A0829-W	.24/.12	1.76/.88
3/4 Bore Hub						
115/230, 60 HZ	F51B0321-W	F51B0621-W	F52B0721-W	F53B0821-W	.50/.25	3.66/1.83
230/460, 60 HZ	F51B0324-W	F51B0624-W	F52B0724-W	F53B0824-W	.28/.14	1.94/.97
287/575, 60 HZ	F51B0325-W	F51B0625-W	F52B0725-W	F53B0825-W	.22/.11	1.54/.77
115/230, 50 HZ	F51B0328-W	F51B0628-W	F52B0728-W	F53B0828-W	.45/.22	3.27/1.64
230/460, 50 HZ	F51B0329-W	F51B0629-W	F52B0729-W	F53B0829-W	.24/.12	1.76/.88
7/8 Bore Hub						
115/230, 60 HZ	F51C0321-W	F51C0621-W	F52C0721-W	F53C0821-W	.50/.25	3.66/1.83
230/460, 60 HZ	F51C0324-W	F51C0624-W	F52C0724-W	F53C0824-W	.28/.14	1.94/.97
287/575, 60 HZ	F51C0325-W	F51C0625-W	F52C0725-W	F53C0825-W	.22/.11	1.54/.77
115/230, 50 HZ	F51C0328-W	F51C0628-W	F52C0728-W	F53C0828-W	.45/.22	3.27/1.64
230/460, 50 HZ	F51C0329-W	F51C0629-W	F52C0729-W	F53C0829-W	.24/.12	1.76/.88

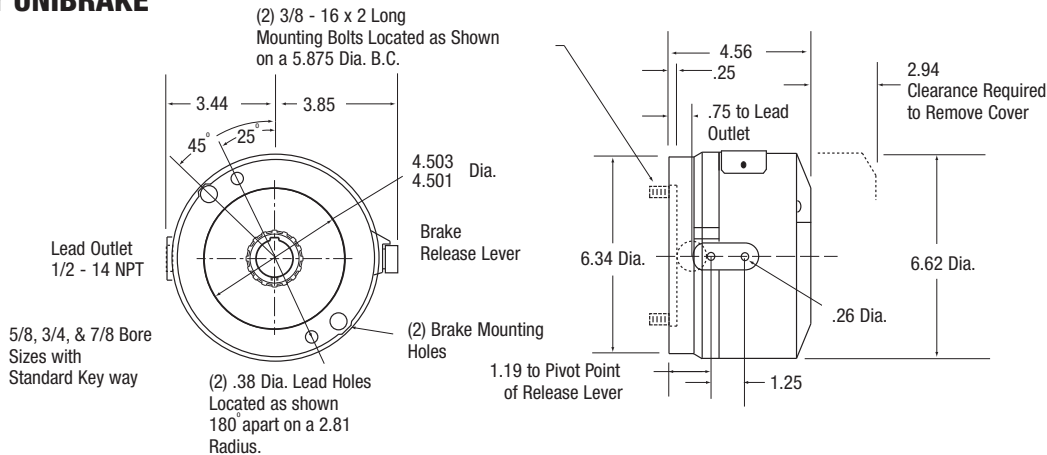
F Series AC Rear-Mounted Brakes with NEMA 2 Housing Aluminum Head-Steel Cover

56,000 NEMA 2

Stearns®



Warner UNIBRAKE®



UNIBRAKE® Interchange

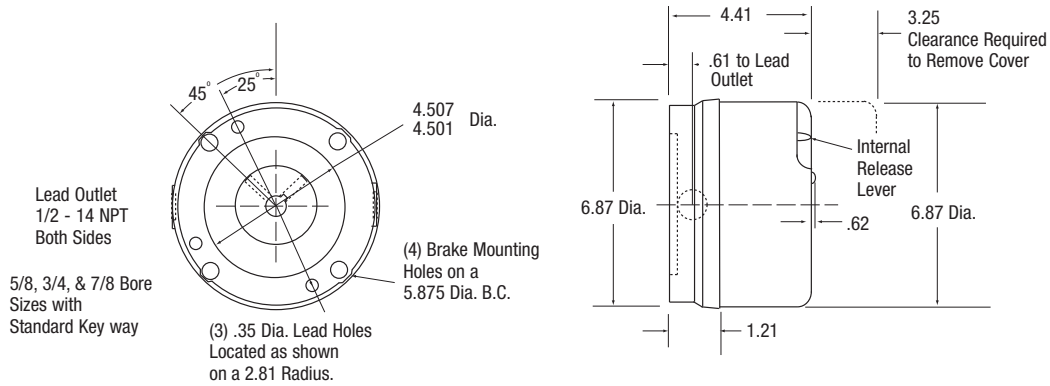
Stearns® Part Number	Warner Electric Replacement	Stearns® Part Number	Warner Electric Replacement	Stearns® Part Number	Warner Electric Replacement
1-056-011-00-BNF	F51A0325-W	1-056-021-00-CNF	F51B0625-W	1-056-031-00-DNF	F52C0725-W
1-056-011-00-BOF	F51A0328-W	1-056-021-00-COF	F51B0628-W	1-056-031-00-DOF	F52C0728-W
1-056-011-00-BPF	F51A0321-W	1-056-021-00-CPF	F51B0621-W	1-056-031-00-DPF	F52C0721-W
1-056-011-00-BQF	F51A0324-W	1-056-021-00-CQF	F51B0624-W	1-056-031-00-DQF	F52C0724-W
1-056-011-00-CNF	F51B0325-W	1-056-021-00-DNF	F51C0625-W	1-056-041-00-BNF	F53A0825-W
1-056-011-00-COF	F51B0328-W	1-056-021-00-DOF	F51C0628-W	1-056-041-00-BOF	F53A0828-W
1-056-011-00-CPF	F51B0321-W	1-056-021-00-DPF	F51C0621-W	1-056-041-00-BPF	F53A0821-W
1-056-011-00-CQF	F51B0324-W	1-056-021-00-DQF	F51C0624-W	1-056-041-00-BQF	F53A0824-W
1-056-011-00-DNF	F51C0325-W	1-056-031-00-BNF	F52A0725-W	1-056-041-00-CNF	F53B0825-W
1-056-011-00-DOF	F51C0328-W	1-056-031-00-BOF	F52A0728-W	1-056-041-00-COF	F53B0828-W
1-056-011-00-DPF	F51C0321-W	1-056-031-00-BPF	F52A0721-W	1-056-041-00-CPF	F53B0821-W
1-056-011-00-DQF	F51C0324-W	1-056-031-00-BQF	F52A0724-W	1-056-041-00-CQF	F53B0824-W
1-056-021-00-BNF	F51A0625-W	1-056-031-00-CNF	F52B0725-W	1-056-041-00-DNF	F53C0825-W
1-056-021-00-BOF	F51A0628-W	1-056-031-00-COF	F52B0728-W	1-056-041-00-DOF	F53C0828-W
1-056-021-00-BPF	F51A0621-W	1-056-031-00-CPF	F52B0721-W	1-056-041-00-DPF	F53C0821-W
1-056-021-00-BQF	F51A0624-W	1-056-031-00-CQF	F52B0724-W	1-056-041-00-DQF	F53C0824-W

C-FACE POWER-OFF BRAKES

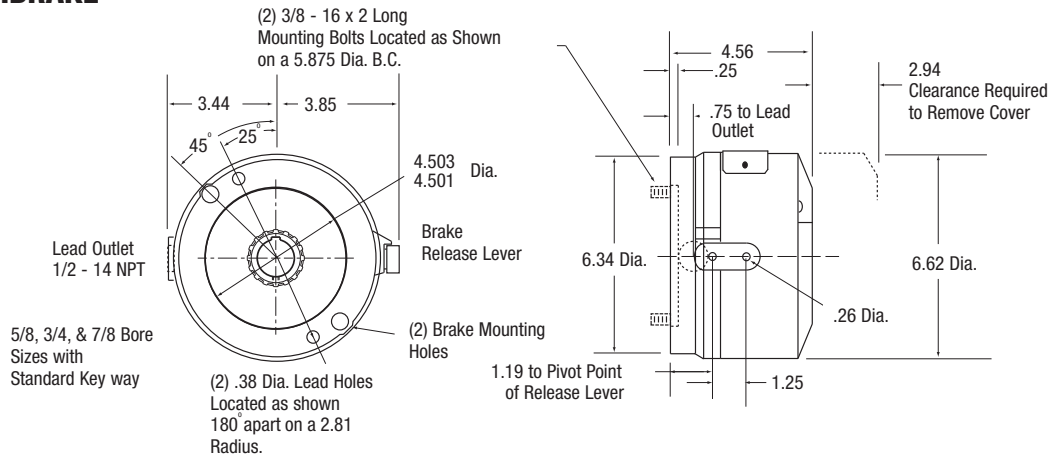
F Series AC Rear-Mounted Brakes with NEMA 2 Housing Aluminum Head-Steel Cover

56,100 NEMA 2

Stearns®



Warner UNIBRAKE®



UNIBRAKE® Interchange

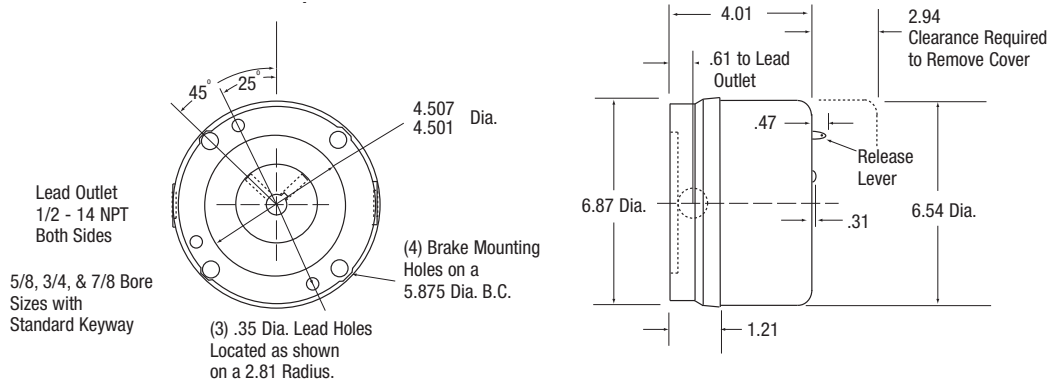
Stearns® Part Number	Warner Electric Replacement	Stearns® Part Number	Warner Electric Replacement	Stearns® Part Number	Warner Electric Replacement
1-056-111-00-BNF	F51A0325-W	1-056-121-00-CNF	F51B0625-W	1-056-131-00-DNF	F52C0725-W
1-056-111-00-BOF	F51A0328-W	1-056-121-00-COF	F51B0628-W	1-056-131-00-DOF	F52C0728-W
1-056-111-00-BPF	F51A0321-W	1-056-121-00-CPF	F51B0621-W	1-056-131-00-DPF	F52C0721-W
1-056-111-00-BQF	F51A0324-W	1-056-121-00-CQF	F51B0624-W	1-056-131-00-DQF	F52C0724-W
1-056-111-00-CNF	F51B0325-W	1-056-121-00-DNF	F51C0625-W	1-056-141-00-BNF	F53A0825-W
1-056-111-00-COF	F51B0328-W	1-056-121-00-DOF	F51C0628-W	1-056-141-00-BOF	F53A0828-W
1-056-111-00-CPF	F51B0321-W	1-056-121-00-DOF	F51C0621-W	1-056-141-00-BPF	F53A0821-W
1-056-111-00-CQF	F51B0324-W	1-056-121-00-DQF	F51C0624-W	1-056-141-00-BQF	F53A0824-W
1-056-111-00-DNF	F51C0325-W	1-056-131-00-BNF	F52A0725-W	1-056-141-00-CNF	F53B0825-W
1-056-111-00-DOF	F51C0328-W	1-056-131-00-BOF	F52A0728-W	1-056-141-00-COF	F53B0828-W
1-056-111-00-DPF	F51C0321-W	1-056-131-00-BPF	F52A0721-W	1-056-141-00-CPF	F53B0821-W
1-056-111-00-DQF	F51C0324-W	1-056-131-00-BQF	F52A0724-W	1-056-141-00-CQF	F53B0824-W
1-056-121-00-BNF	F51A0625-W	1-056-131-00-CNF	F52B0725-W	1-056-141-00-DNF	F53C0825-W
1-056-121-00-BOF	F51A0628-W	1-056-131-00-COF	F52B0728-W	1-056-141-00-DOF	F53C0828-W
1-056-121-00-BPF	F51A0621-W	1-056-131-00-CPF	F52B0721-W	1-056-141-00-DPF	F53C0821-W
1-056-121-00-BQF	F51A0624-W	1-056-131-00-CQF	F52B0724-W	1-056-141-00-DQF	F53C0824-W

C-FACE POWER-OFF BRAKES

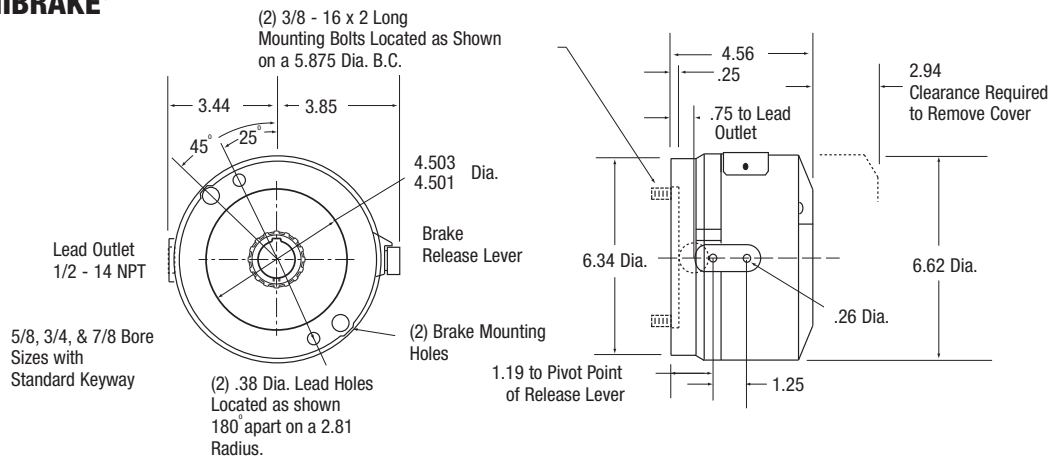
F Series AC Rear-Mounted Brakes with NEMA 1 Housing Aluminum Head-Steel Cover

56,300 NEMA 1

Stearns®



Warner UNIBRAKE®



UNIBRAKE® Interchange

Stearns® Part Number	Warner Electric Replacement	Stearns® Part Number	Warner Electric Replacement	Stearns® Part Number	Warner Electric Replacement
1-056-311-00-BNF	F51A0325-W	1-056-321-00-CNF	F51B0625-W	1-056-331-00-DNF	F52C0725-W
1-056-311-00-BOF	F51A0328-W	1-056-321-00-COF	F51B0628-W	1-056-331-00-DOF	F52C0728-W
1-056-311-00-BPF	F51A0321-W	1-056-321-00-CPF	F51B0621-W	1-056-331-00-DPF	F52C0721-W
1-056-311-00-BQF	F51A0324-W	1-056-321-00-CQF	F51B0624-W	1-056-331-00-DQF	F52C0724-W
1-056-311-00-CNF	F51B0325-W	1-056-321-00-DNF	F51C0625-W	1-056-341-00-BNF	F53A0825-W
1-056-311-00-COF	F51B0328-W	1-056-321-00-DOF	F51C0628-W	1-056-341-00-BOF	F53A0828-W
1-056-311-00-CPF	F51B0321-W	1-056-321-00-DPF	F51C0621-W	1-056-341-00-BPF	F53A0821-W
1-056-311-00-CQF	F51B0324-W	1-056-321-00-DQF	F51C0624-W	1-056-341-00-BQF	F53A0824-W
1-056-311-00-DNF	F51C0325-W	1-056-331-00-BNF	F52A0725-W	1-056-341-00-CNF	F53B0825-W
1-056-311-00-DOF	F51C0328-W	1-056-331-00-BOF	F52A0728-W	1-056-341-00-COF	F53B0828-W
1-056-311-00-DPF	F51C0321-W	1-056-331-00-BPF	F52A0721-W	1-056-341-00-CPF	F53B0821-W
1-056-311-00-DQF	F51C0324-W	1-056-331-00-BQF	F52A0724-W	1-056-341-00-CQF	F53B0824-W
1-056-321-00-BNF	F51A0625-W	1-056-331-00-CNF	F52B0725-W	1-056-341-00-DNF	F53C0825-W
1-056-321-00-BOF	F51A0628-W	1-056-331-00-COF	F52B0728-W	1-056-341-00-DOF	F53C0828-W
1-056-321-00-BPF	F51A0621-W	1-056-331-00-CPF	F52B0721-W	1-056-341-00-DPF	F53C0821-W
1-056-321-00-BQF	F51A0624-W	1-056-331-00-CQF	F52B0724-W	1-056-341-00-DQF	F53C0824-W

C-FACE POWER-OFF BRAKES

F Series AC Rear-Mounted Brakes with NEMA 2 Housing

Cast Iron Head-Steel Cover

56,400 NEMA 2



Warner Electric Single C-Face Power-Off Brakes are designed to decelerate or hold inertia loads when the power is turned off. The single C-Face mounts on the non-driven end of a motor. Brakes are available from 3 ft. lb. to 15 ft. lb.

Features:

- External manual release lever
- Totally enclosed construction
- Torque adjustable from full-rated torque down to 50%
- Single-phase AC coils to provide fast release times and easy wiring
- Single C-Face

Brake Part Numbers

Technical Data

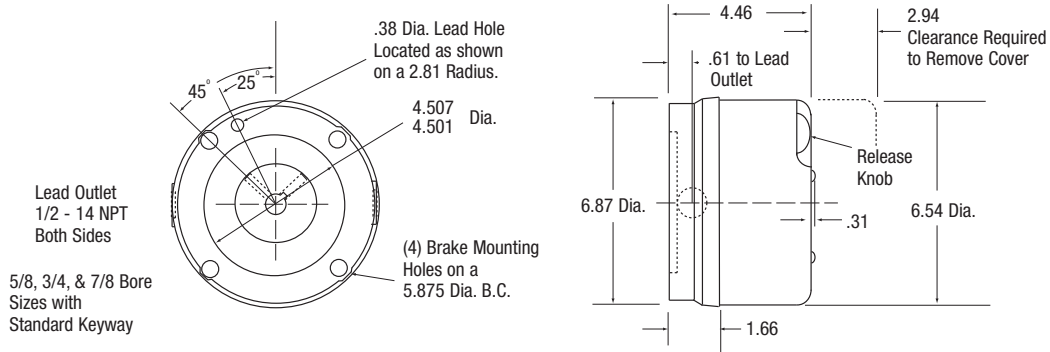
Coil Voltage	3 ft. lb. Brakes (1 Disc)	6 ft. lb. Brakes (1 Disc)	10 ft. lb. Brakes (2 Discs)	15 ft. lb. Brakes (3 Discs)	Current Holding Amps	Current Inrush Amps
5/8 Bore Hub						
115/230, 60 HZ	F51A7321-W	F51A7621-W	F52A7721-W	F53A7821-W	.50/.25	3.66/1.83
230/460, 60 HZ	F51A7324-W	F51A7624-W	F52A7724-W	F53A7824-W	.28/.14	1.94/.97
287/575, 60 HZ	F51A7325-W	F51A7625-W	F52A7725-W	F53A7825-W	.22/.11	1.54/.77
115/230, 50 HZ	F51A7328-W	F51A7628-W	F52A7728-W	F53A7828-W	.45/.22	3.27/1.64
230/460, 50 HZ	F51A7329-W	F51A7629-W	F52A7729-W	F53A7829-W	.24/.12	1.76/.88
3/4 Bore Hub						
115/230, 60 HZ	F51B7321-W	F51B7621-W	F52B7721-W	F53B7821-W	.50/.25	3.66/1.83
230/460, 60 HZ	F51B7324-W	F51B7624-W	F52B7724-W	F53B7824-W	.28/.14	1.94/.97-W
287/575, 60 HZ	F51B7325-W	F51B7625-W	F52B7725-W	F53B7825-W	.22/.11	1.54/.77
115/230, 50 HZ	F51B7328-W	F51B7628-W	F52B7728-W	F53B7828-W	.45/.22	3.27/1.64
230/460, 50 HZ	F51B7329-W	F51B7629-W	F52B7729-W	F53B7829-W	.24/.12	1.76/.88
7/8 Bore Hub						
115/230, 60 HZ	F51C7321-W	F51C7621-W	F52C7721-W	F53C7821-W	.50/.25	3.66/1.83
230/460, 60 HZ	F51C7324-W	F51C7624-W	F52C7724-W	F53C7824-W	.28/.14	1.94/.97
287/575, 60 HZ	F51C7325-W	F51C7625-W	F52C7725-W	F53C7825-W	.22/.11	1.54/.77
115/230, 50 HZ	F51C7328-W	F51C7628-W	F52C7728-W	F53C7828-W	.45/.22	3.27/1.64
230/460, 50 HZ	F51C7329-W	F51C7629-W	F52C7729-W	F53C7829-W	.24/.12	1.76/.88

C-FACE POWER-OFF BRAKES

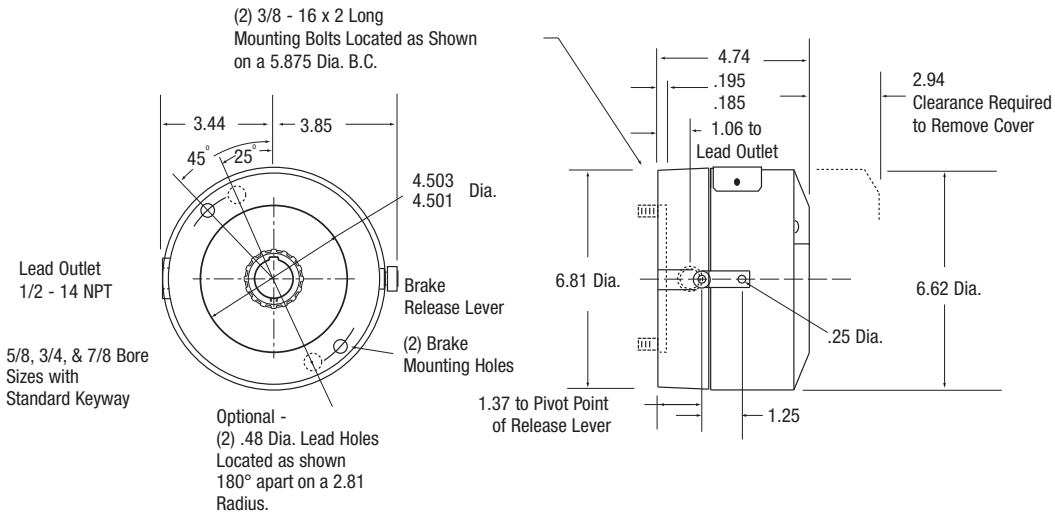
F Series AC Rear-Mounted Brakes with NEMA 2 Housing Cast Iron Head-Steel Cover

56,400 NEMA 2

Stearns®



Warner UNIBRAKE®



UNIBRAKE® Interchange

Stearns® Part Number	Warner Electric Replacement	Stearns® Part Number	Warner Electric Replacement	Stearns® Part Number	Warner Electric Replacement
1-056-411-00-BNF	F51A7325-W	1-056-421-00-CNF	F51B7625-W	1-056-431-00-DNF	F52C7725-W
1-056-411-00-BOF	F51A7328-W	1-056-421-00-COF	F51B7628-W	1-056-431-00-DOF	F52C7728-W
1-056-411-00-BPF	F51A7321-W	1-056-421-00-CPF	F51B7621-W	1-056-431-00-DPF	F52C7721-W
1-056-411-00-BQF	F51A7324-W	1-056-421-00-CQF	F51B7624-W	1-056-431-00-DQF	F52C7724-W
1-056-411-00-CNF	F51B7325-W	1-056-421-00-DNF	F51C7625-W	1-056-441-00-BNF	F53A7825-W
1-056-411-00-COF	F51B7328-W	1-056-421-00-DOF	F51C7628-W	1-056-441-00-BOF	F53A7828-W
1-056-411-00-CPF	F51B7321-W	1-056-421-00-DPF	F51C7621-W	1-056-441-00-BPF	F53A7821-W
1-056-411-00-CQF	F51B7324-W	1-056-421-00-DQF	F51C7624-W	1-056-441-00-BQF	F53A7824-W
1-056-411-00-DNF	F51C7325-W	1-056-431-00-BNF	F52A7725-W	1-056-441-00-CNF	F53B7825-W
1-056-411-00-DOF	F51C7328-W	1-056-431-00-BOF	F52A7728-W	1-056-441-00-COF	F53B7828-W
1-056-411-00-DPF	F51C7321-W	1-056-431-00-BPF	F52A7721-W	1-056-441-00-CPF	F53B7821-W
1-056-411-00-DQF	F51C7324-W	1-056-431-00-BQF	F52A7724-W	1-056-441-00-CQF	F53B7824-W
1-056-421-00-BNF	F51A7625-W	1-056-431-00-CNF	F52B7725-W	1-056-441-00-DNF	F53C7825-W
1-056-421-00-BOF	F51A7628-W	1-056-431-00-COF	F52B7728-W	1-056-441-00-DOF	F53C7828-W
1-056-421-00-BPF	F51A7621-W	1-056-431-00-CPF	F52B7721-W	1-056-441-00-DPF	F53C7821-W
1-056-421-00-BQF	F51A7624-W	1-056-431-00-CQF	F52B7724-W	1-056-441-00-DQF	F53C7824-W

C-FACE POWER-OFF BRAKES WITH HEAVY-DUTY ENCLOSURES

F Series AC Rear-Mounted Brakes with NEMA 2 Housing

Cast Iron Head and Cover

56,200 NEMA 2



Warner Electric Single C-Face Power-Off Brake is also available with cast iron housing for applications involving corrosive environments. Brakes are available from 3 ft. lb. to 15 ft. lb.

Features:

- External manual release lever
- Totally enclosed construction
- Torque adjustable from full-rated torque down to 50%
- Single-phase AC coils to provide fast release times and easy wiring
- Single C-Face

Brake Part Numbers

Technical Data

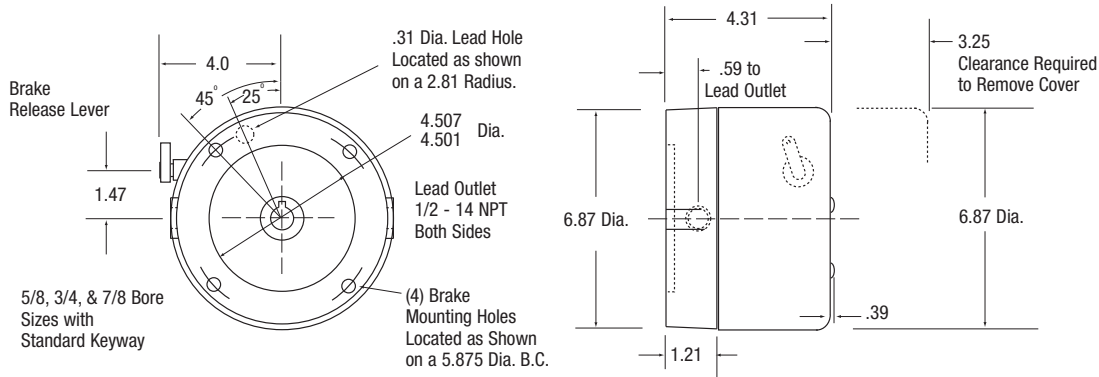
Coil Voltage	3 ft. lb. Brakes (1 Disc)	6 ft. lb. Brakes (1 Disc)	10 ft. lb. Brakes (2 Discs)	15 ft. lb. Brakes (3 Discs)	Current Holding Amps	Current Inrush Amps
5/8 Bore Hub						
115/230, 60 HZ	F51A8311-W	F51A8611-W	F52A8711-W	F53A8811-W	.50/.25	3.66/1.83
230/460, 60 HZ	F51A8314-W	F51A8614-W	F52A8714-W	F53A8814-W	.28/.14	1.94/.97
287/575, 60 HZ	F51A8315-W	F51A8615-W	F52A8715-W	F53A8815-W	.22/.11	1.54/.77
115/230, 50 HZ	F51A8318-W	F51A8618-W	F52A8718-W	F53A8818-W	.45/.22	3.27/1.64
230/460, 50 HZ	F51A8319-W	F51A8619-W	F52A8719-W	F53A8819-W	.24/.12	1.76/.88
3/4 Bore Hub						
115/230, 60 HZ	F51B8311-W	F51B8611-W	F52B8711-W	F53B8811-W	.50/.25	3.66/1.83
230/460, 60 HZ	F51B8314-W	F51B8614-W	F52B8714-W	F53B8814-W	.28/.14	1.94/.97
287/575, 60 HZ	F51B8315-W	F51B8615-W	F52B8715-W	F53B8815-W	.22/.11	1.54/.77
115/230, 50 HZ	F51B8318-W	F51B8618-W	F52B8718-W	F53B8818-W	.45/.22	3.27/1.64
230/460, 50 HZ	F51B8319-W	F51B8619-W	F52B8719-W	F53B8819-W	.24/.12	1.76/.88
7/8 Bore Hub						
115/230, 60 HZ	F51C8311-W	F51C8611-W	F52C8711-W	F53C8811-W	.50/.25	3.66/1.83
230/460, 60 HZ	F51C8314-W	F51C8614-W	F52C8714-W	F53C8814-W	.28/.14	1.94/.97
287/575, 60 HZ	F51C8315-W	F51C8615-W	F52C8715-W	F53C8815-W	.22/.11	1.54/.77
115/230, 50 HZ	F51C8318-W	F51C8618-W	F52C8718-W	F53C8818-W	.45/.22	3.27/1.64
230/460, 50 HZ	F51C8319-W	F51C8619-W	F52C8719-W	F53C8819-W	.24/.12	1.76/.88

C-FACE POWER-OFF BRAKES WITH HEAVY-DUTY ENCLOSURES

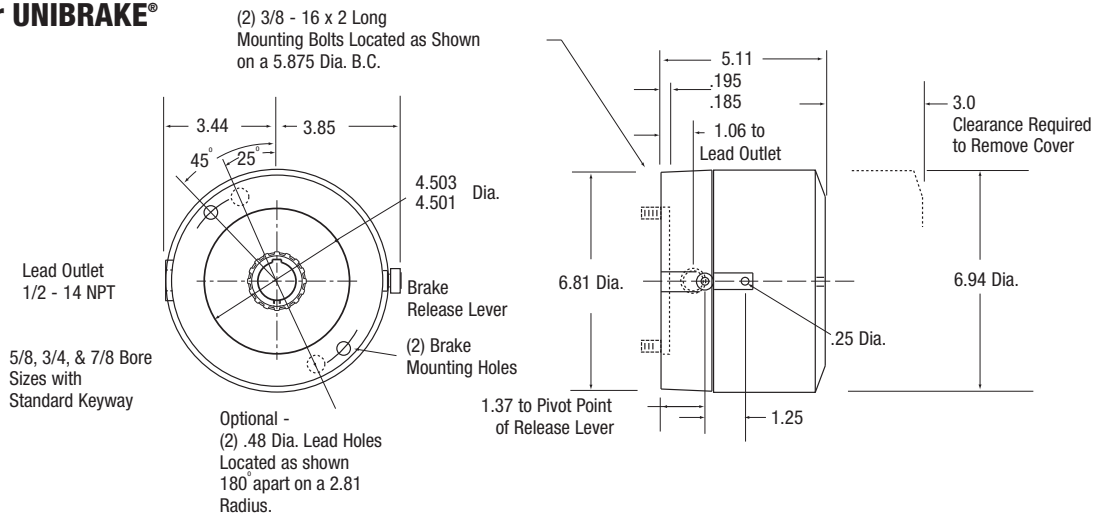
F Series AC Rear-Mounted Brakes with NEMA 2 Housing Cast Iron Head and Cover

56,200 NEMA 2

Stearns®



Warner UNIBRAKE®



UNIBRAKE® Interchange

Stearns® Part Number	Warner Electric Replacement	Stearns® Part Number	Warner Electric Replacement	Stearns® Part Number	Warner Electric Replacement
1-056-211-00-BNF	F51A8315-W	1-056-221-00-CNF	F51B8615-W	1-056-231-00-DNF	F52C8715-W
1-056-211-00-BOF	F51A8318-W	1-056-221-00-COF	F51B8618-W	1-056-231-00-DOF	F52C8718-W
1-056-211-00-BPF	F51A8311-W	1-056-221-00-CPF	F51B8611-W	1-056-231-00-DPF	F52C8711-W
1-056-211-00-BQF	F51A8314-W	1-056-221-00-CQF	F51B8614-W	1-056-231-00-DQF	F52C8714-W
1-056-211-00-CNF	F51B8315-W	1-056-221-00-DNF	F51C8615-W	1-056-241-00-BNF	F53A8815-W
1-056-211-00-COF	F51B8318-W	1-056-221-00-DOF	F51C8618-W	1-056-241-00-BOF	F53A8818-W
1-056-211-00-CPF	F51B8311-W	1-056-221-00-DPF	F51C8611-W	1-056-241-00-BPF	F53A8811-W
1-056-211-00-CQF	F51B8314-W	1-056-221-00-DQF	F51C8614-W	1-056-241-00-BQF	F53A8814-W
1-056-211-00-DNF	F51C8315-W	1-056-231-00-BNF	F52A8715-W	1-056-241-00-CNF	F53B8815-W
1-056-211-00-DOF	F51C8318-W	1-056-231-00-BOF	F52A8718-W	1-056-241-00-COF	F53B8818-W
1-056-211-00-DPF	F51C8311-W	1-056-231-00-BPF	F52A8711-W	1-056-241-00-CPF	F53B8811-W
1-056-211-00-DQF	F51C8314-W	1-056-231-00-BQF	F52A8714-W	1-056-241-00-CQF	F53B8814-W
1-056-221-00-BNF	F51A8615-W	1-056-231-00-CNF	F52B8715-W	1-056-241-00-DNF	F53C8815-W
1-056-221-00-BOF	F51A8618-W	1-056-231-00-COF	F52B8718-W	1-056-241-00-DOF	F53C8818-W
1-056-221-00-BPF	F51A8611-W	1-056-231-00-CPF	F52B8711-W	1-056-241-00-DPF	F53C8811-W
1-056-221-00-BQF	F51A8614-W	1-056-231-00-CQF	F52B8714-W	1-056-241-00-DQF	F53C8814-W

C-FACE POWER-OFF BRAKES WITH HEAVY-DUTY ENCLOSURES

F Series AC Rear-Mounted Brakes with NEMA 4 Housing

Cast Iron Head and Cover

56,200 NEMA 4



Warner Electric Single C-Face Power-Off Brake is also available with cast iron housing for applications involving corrosive environments. The heavy-duty housing also includes o-ring seals to create a dust-tight brake. Brakes are available from 3 ft. lb. to 15 ft. lb.

Features:

- External manual release lever
- Totally enclosed construction
- Torque adjustable from full-rated torque down to 50%
- Single-phase AC coils to provide fast release times and easy wiring
- Single C-Face

Brake Part Numbers

Technical Data

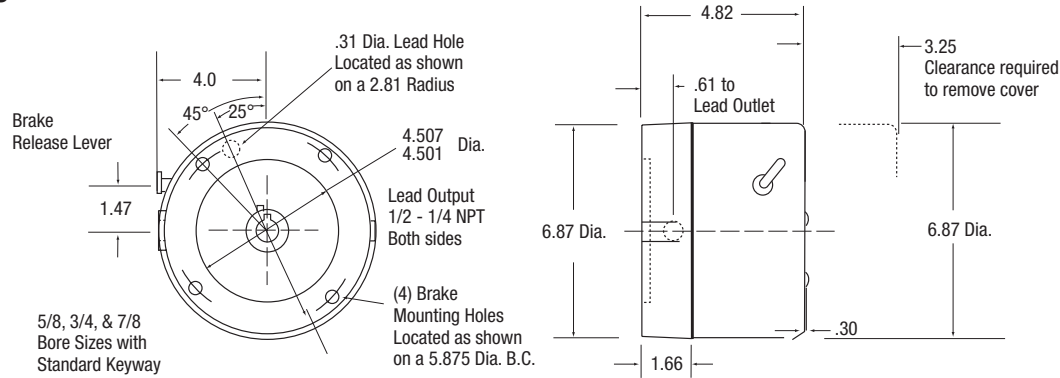
Coil Voltage	3 ft. lb. Brakes (1 Disc)	6 ft. lb. Brakes (1 Disc)	10 ft. lb. Brakes (2 Discs)	15 ft. lb. Brakes (3 Discs)	Current Holding Amps	Current Inrush Amps
5/8 Bore Hub						
115/230, 60 HZ	F51A1311-W	F51A1611-W	F52A1711-W	F53A1811-W	.50/.25	3.66/1.83
230/460, 60 HZ	F51A1314-W	F51A1614-W	F52A1714-W	F53A1814-W	.28/.14	1.94/.97
287/575, 60 HZ	F51A1315-W	F51A1615-W	F52A1715-W	F53A1815-W	.22/.11	1.54/.77
115/230, 50 HZ	F51A1318-W	F51A1618-W	F52A1718-W	F53A1818-W	.45/.22	3.27/1.64
230/460, 50 HZ	F51A1319-W	F51A1619-W	F52A1719-W	F53A1819-W	.24/.12	1.76/.88
3/4 Bore Hub						
115/230, 60 HZ	F51B1311-W	F51B1611-W	F52B1711-W	F53B1811-W	.50/.25	3.66/1.83
230/460, 60 HZ	F51B1314-W	F51B1614-W	F52B1714-W	F53B1814-W	.28/.14	1.94/.97
287/575, 60 HZ	F51B1315-W	F51B1615-W	F52B1715-W	F53B1815-W	.22/.11	1.54/.77
115/230, 50 HZ	F51B1318-W	F51B1618-W	F52B1718-W	F53B1818-W	.45/.22	3.27/1.64
230/460, 50 HZ	F51B1319-W	F51B1619-W	F52B1719-W	F53B1819-W	.24/.12	1.76/.88
7/8 Bore Hub						
115/230, 60 HZ	F51C1311-W	F51C1611-W	F52C1711-W	F53C1811-W	.50/.25	3.66/1.83
230/460, 60 HZ	F51C1314-W	F51C1614-W	F52C1714-W	F53C1814-W	.28/.14	1.94/.97
287/575, 60 HZ	F51C1315-W	F51C1615-W	F52C1715-W	F53C1815-W	.22/.11	1.54/.77
115/230, 50 HZ	F51C1318-W	F51C1618-W	F52C1718-W	F53C1818-W	.45/.22	3.27/1.64
230/460, 50 HZ	F51C1319-W	F51C1619-W	F52C1719-W	F53C1819-W	.24/.12	1.76/.88

C-FACE POWER-OFF BRAKES WITH HEAVY-DUTY ENCLOSURES

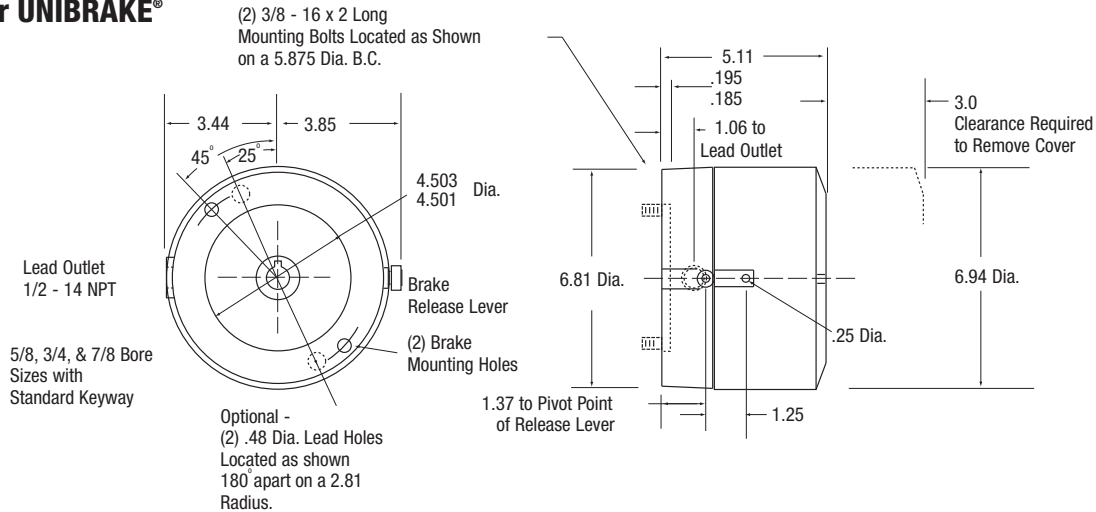
F Series AC Rear-Mounted Brakes with NEMA 4 Housing Cast Iron Head and Cover

56,200 NEMA 4

Stearns®



Warner UNIBRAKE®



UNIBRAKE® Interchange

Stearns® Part Number	Warner Electric Replacement	Stearns® Part Number	Warner Electric Replacement	Stearns® Part Number	Warner Electric Replacement
1-056-212-00-BNF	F51A1315-W	1-056-222-00-CNF	F51B1615-W	1-056-232-00-DNF	F52C1715-W
1-056-212-00-BOF	F51A1318-W	1-056-222-00-COF	F51B1618-W	1-056-232-00-DOF	F52C1718-W
1-056-212-00-BPF	F51A1311-W	1-056-222-00-CPF	F51B1611-W	1-056-232-00-DPF	F52C1711-W
1-056-212-00-BQF	F51A1314-W	1-056-222-00-CQF	F51B1614-W	1-056-232-00-DQF	F52C1714-W
1-056-212-00-CNF	F51B1315-W	1-056-222-00-DNF	F51C1615-W	1-056-242-00-BNF	F53A1815-W
1-056-212-00-COF	F51B1318-W	1-056-222-00-DOF	F51C1618-W	1-056-242-00-BOF	F53A1818-W
1-056-212-00-CPF	F51B1311-W	1-056-222-00-DPF	F51C1611-W	1-056-242-00-BPF	F53A1811-W
1-056-212-00-CQF	F51B1314-W	1-056-222-00-DQF	F51C1614-W	1-056-242-00-BQF	F53A1814-W
1-056-212-00-DNF	F51C1315-W	1-056-232-00-BNF	F52A1715-W	1-056-242-00-CNF	F53B1815-W
1-056-212-00-DOF	F51C1318-W	1-056-232-00-BOF	F52A1718-W	1-056-242-00-COF	F53B1818-W
1-056-212-00-DPF	F51C1311-W	1-056-232-00-BPF	F52A1711-W	1-056-242-00-CPF	F53B1811-W
1-056-212-00-DQF	F51C1314-W	1-056-232-00-BQF	F52A1714-W	1-056-242-00-CQF	F53B1814-W
1-056-222-00-BNF	F51A1615-W	1-056-232-00-CNF	F52B1715-W	1-056-242-00-DNF	F53C1815-W
1-056-222-00-BOF	F51A1618-W	1-056-232-00-COF	F52B1718-W	1-056-242-00-DOF	F53C1818-W
1-056-222-00-BPF	F51A1611-W	1-056-232-00-CPF	F52B1711-W	1-056-242-00-DPF	F53C1811-W
1-056-222-00-BQF	F51A1614-W	1-056-232-00-CQF	F52B1714-W	1-056-242-00-DQF	F53C1814-W

DOUBLE C-FACE POWER-OFF BRAKES

M Series AC Coupler Brakes with NEMA 2 Housing Aluminum Head and Cover

56,700 NEMA 2



The Double C-Face Brake is designed for use as a coupler between standard C-Face motors and C-Face gear reducers.

Features:

- External manual release lever
- Totally enclosed construction
- Torque adjustable from full-rated torque down to 50%
- Single-phase AC coils to provide fast release times and easy wiring

Brake Part Numbers

Technical Data

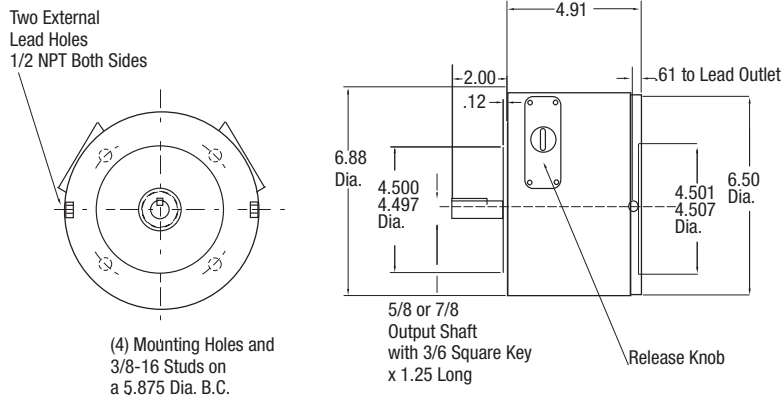
Coil Voltage	3 ft. lb. Brakes (1 Disc)	6 ft. lb. Brakes (1 Disc)	10 ft. lb. Brakes (2 Discs)	Current Holding Amps	Current Inrush Amps
5/8 Bore Shaft and Hub (56C)					
115/230, 60 HZ	M51A0321-W	M51A0621-W	M52A0721-W	.50/.25	3.66/1.83
230/460, 60 HZ	M51A0324-W	M51A0624-W	M52A0724-W	.28/.14	1.94/.97
287/575, 60 HZ	M51A0325-W	M51A0625-W	M52A0725-W	.22/.11	1.54/.77
115/230, 50 HZ	M51A0328-W	M51A0628-W	M52A0728-W	.45/.22	3.27/1.64
230/460, 50 HZ	M51A0329-W	M51A0629-W	M52A0729-W	.24/.12	1.76/.88
7/8 Bore Shaft and Hub (145TC)					
115/230, 60 HZ	M51C0321-W	M51C0621-W	M52C0721-W	.50/.25	3.66/1.83
230/460, 60 HZ	M51C0324-W	M51C0624-W	M52C0724-W	.28/.14	1.94/.97
287/575, 60 HZ	M51C0325-W	M51C0625-W	M52C0725-W	.22/.11	1.54/.77
115/230, 50 HZ	M51C0328-W	M51C0628-W	M52C0728-W	.45/.22	3.27/1.64
230/460, 50 HZ	M51C0329-W	M51C0629-W	M52C0729-W	.24/.12	1.76/.88

DOUBLE C-FACE POWER-OFF BRAKES

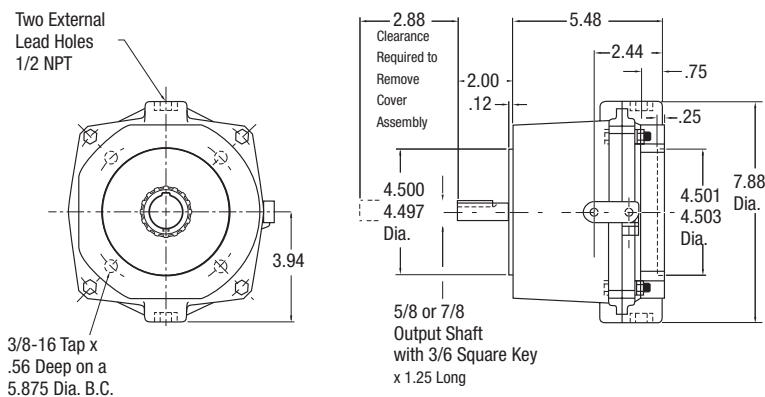
M Series AC Coupler Brakes with NEMA 2 Housing Aluminum Head and Cover

56,700 NEMA 2

Stearns®



Warner UNIBRAKE®



UNIBRAKE® Interchange

Stearns® Part Number	Warner Electric Replacement	Stearns® Part Number	Warner Electric Replacement	Stearns® Part Number	Warner Electric Replacement
1-056-711-05-NF	M51A0325-W	1-056-721-05-NF	M51A0625-W	1-056-731-05-NF	M52A0725-W
1-056-711-05-OF	M51A0328-W	1-056-721-05-OF	M51A0628-W	1-056-731-05-OF	M52A0728-W
1-056-711-05-PF	M51A0321-W	1-056-721-05-PF	M51A0621-W	1-056-731-05-PF	M52A0721-W
1-056-711-05-QF	M51A0324-W	1-056-721-05-QF	M51A0624-W	1-056-731-05-QF	M52A0724-W
1-056-711-07-NF	M51C0325-W	1-056-721-07-NF	M51C0625-W	1-056-731-07-NF	M52C0725-W
1-056-711-07-OF	M51C0328-W	1-056-721-07-OF	M51C0628-W	1-056-731-07-OF	M52C0728-W
1-056-711-07-PF	M51C0321-W	1-056-721-07-PF	M51C0621-W	1-056-731-07-PF	M52C0721-W
1-056-711-07-QF	M51C0324-W	1-056-721-07-QF	M51C0624-W	1-056-731-07-QF	M52C0724-W

DOUBLE C-FACE POWER-OFF BRAKES

M Series DC Coupler Brakes with NEMA 2 Housing Aluminum Head and Cover

56,700 NEMA 2



The Double C-Face Brake is designed for use as a coupler between standard C-Face motors and C-Face gear reducers.

Features:

- External manual release lever
- Totally enclosed construction
- Torque adjustable from full-rated torque down to 50%
- DC coils to provide fast release times and easy wiring

Brake Part Numbers

Technical Data

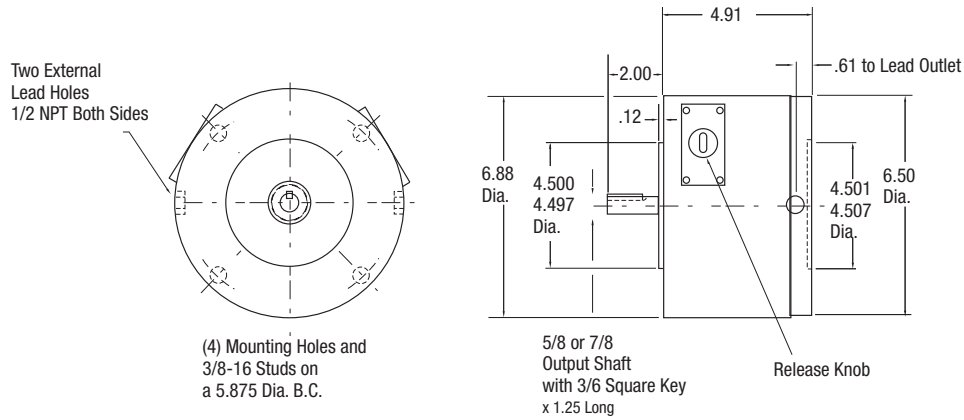
Coil Voltage	3 ft. lb. Brakes (1 Disc)	6 ft. lb. Brakes (2 Discs)	10 ft. lb. Brakes (3 Discs)	Current Holding Amps	Resistance Ohms
5/8 Bore Shaft and Hub (56C)					
24 VDC	M51A032Y-W	M52A062Y-W	M53A072Y-W	.91	26.4
90 VDC	M51A032X-W	M52A062X-W	M53A072X-W	.25	365
7/8 Bore Shaft and Hub (145TC)					
24 VDC	M51C032Y-W	M52C062Y-W	M53C072Y-W	.91	26.4
90 VDC	M51C032X-W	M52C062X-W	M53C072X-W	.25	365

DOUBLE C-FACE POWER-OFF BRAKES

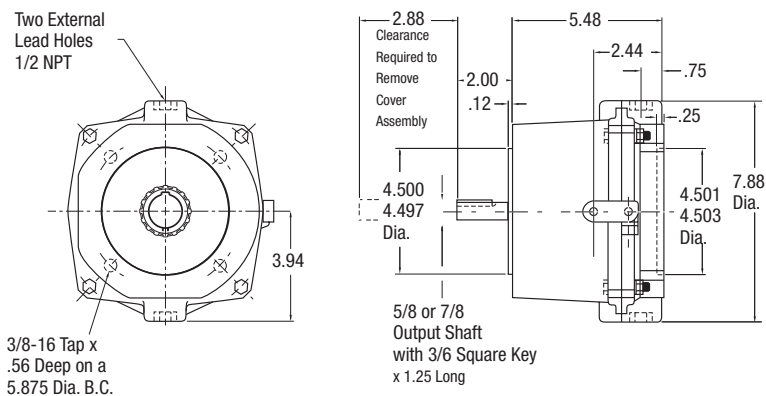
M Series DC Coupler Brakes with NEMA 2 Housing Aluminum Head and Cover

56,700 NEMA 2

Stearns®



Warner UNIBRAKE®



UNIBRAKE® Interchange

Stearns® Part Number	Warner Electric Replacement
1-056-711-05-UF	M51A032Y-W
1-056-711-05-XF	M51A032X-W
1-056-711-07-UF	M51C032Y-W
1-056-711-07-XF	M51C032X-W
1-056-721-05-UF	M52A062Y-W
1-056-721-05-XF	M52A062X-W
1-056-721-07-UF	M52C062Y-W
1-056-721-07-XF	M52C062X-W
1-056-731-05-UF	M53A072Y-W
1-056-731-05-XF	M53A072X-W
1-056-731-07-UF	M53C072Y-W
1-056-731-07-XF	M53C072X-W

The power of one, the strength of many.

Other product solutions from

Altra Industrial Motion

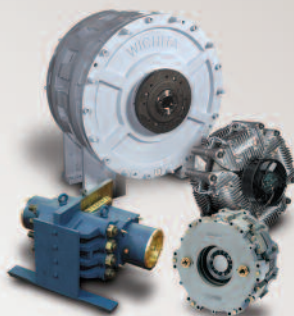
Our comprehensive product offering is comprised of nine major categories including electromagnetic clutches and brakes, heavy duty clutches and brakes, overrunning clutches, gearing, engineered couplings, engineered bearing assemblies, linear products and belted drives. With thousands of product solutions available, Altra provides true single source convenience while meeting specific customer requirements. Many major OEM's and end users prefer Altra products as their No.1 choice for performance and reliability.

www.altramotion.com



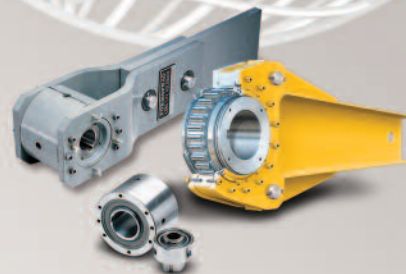
Electromagnetic Clutches and Brakes

Warner Electric
Inertia Dynamics
Matrix International



Heavy Duty Clutches and Brakes

Wichita Clutch
Twiflex Limited
Industrial Clutch



Overrunning Clutches

Formsprag Clutch
Marland Clutch
Stieber Clutch



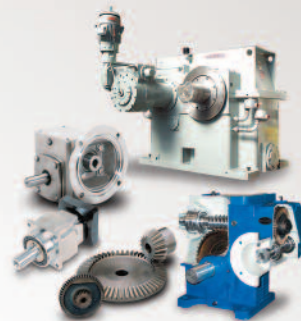
Engineered Couplings and Universal Joints

TB Wood's
Ameridrives Couplings
Ameridrives Power Transmissions
Bibby Transmissions



Belted Drives and Sheaves

TB Wood's



Gearing

Boston Gear
Nuttall Gear
Delroyd Worm Gear



Linear Products

Warner Linear



Engineered Bearing Assemblies

Kilian Manufacturing



Precision Couplings and Air Motors

Huco Dynatork

All Customer Service phone numbers shown in bold

Electromagnetic Clutches and Brakes

Warner Electric

Electromagnetic Clutches and Brakes

New Hartford, CT - USA
1-800-825-6544

For application assistance:
1-800-825-9050

St Barthelemy d'Anjou, France
+33 (0) 2 41 21 24 24

Precision Electric Coils and Electromagnetic Clutches and Brakes

Columbia City, IN - USA
1-260-244-6183

Matrix International

Electromagnetic Clutches and Brakes, Pressure Operated Clutches and Brakes

Brechin, Scotland
+44 (0) 1356 602000

New Hartford, CT - USA
1-800-825-6544

Inertia Dynamics

Spring Set Brakes; Power On and Wrap Spring Clutch/Brakes

New Hartford, CT - USA
1-800-800-6445

Overrunning Clutches

Formsprag Clutch

Overrunning Clutches and Holdbacks

Warren, MI - USA
1-800-348-0881 – Press #1

For application assistance:
1-800-348-0881 – Press #2

Marland Clutch

Roller Ramp and Sprag Type Overrunning Clutches and Backstops

Burr Ridge, IL - USA
1-800-216-3515

Stieber Clutch

Overrunning Clutches and Holdbacks

Heidelberg, Germany
+49 (0) 6221 30 47 0

Engineered Couplings

Ameridrives Couplings

Mill Spindles, Ameriflex, Ameridisc

Erie, PA - USA
1-814-480-5000

Gear Couplings

San Marcos, TX - USA
1-800-458-0887

Bibby Transmissions

Disc, Gear, Grid Couplings, Overload Clutches

Dewsbury, England
+44 (0) 1924 460801

Boksburg, South Africa
+27 11 918 4270

TB Wood's

Elastomeric Couplings

Chambersburg, PA - USA
1-888-829-6637 – Press #5

For application assistance:
1-888-829-6637 – Press #7

General Purpose

Disc Couplings
San Marcos, TX - USA
1-888-449-9439

Ameridrives Power Transmission

Universal Joints, Drive Shafts, Mill Gear Couplings

Green Bay, WI - USA
1-920-593-2444

Huco Dynatork

Precision Couplings and Air Motors

Hertford, England
+44 (0) 1992 501900

Charlotte, NC - USA
1-800-825-6544

Linear Products

Warner Linear

Linear Actuators
Belvidere, IL - USA
1-800-825-6544

For application assistance:
1-800-825-9050

St Barthelemy d'Anjou, France
+33 (0) 2 41 21 24 24

Heavy Duty Clutches and Brakes

Wichita Clutch

Pneumatic Clutches and Brakes

Wichita Falls, TX - USA
1-800-964-3262

Bedford, England
+44 (0) 1234 350311

Twiflex Limited

Caliper Brakes and Thrusters

Twickenham, England
+44 (0) 20 8894 1161

Industrial Clutch

Pneumatic and Oil Immersed Clutches and Brakes

Waukesha, WI - USA
1-262-547-3357

Gearing

Boston Gear

Enclosed and Open Gearing, Electrical and Mechanical P.T. Components

Charlotte, NC - USA
1-800-825-6544

For application assistance:
1-800-816-5608

Nuttall Gear and Delroyd Worm Gear

Worm Gear and Helical Speed Reducers

Niagara Falls, NY - USA
1-716-298-4100

Belted Drives and Sheaves

TB Wood's

Belted Drives

Chambersburg, PA - USA
1-888-829-6637 – Press #5

For application assistance:
1-888-829-6637 – Press #7

Engineered Bearing Assemblies

Kilian Manufacturing

Engineered Bearing Assemblies

Syracuse, NY - USA
1-315-432-0700

Asia Pacific Sales Offices

Australia

Unit 51/9, Hoyle Avenue
Castle Hill, NSW 2154
+61 2 9894 0133
+61 2 9894 0368 (Fax)
www.warnerelectric.com.au

China - Hong Kong

Room 304A, 3rd Floor
Join-In Hang Sing Centre
71-75 Container Port Rd.
Kwai Chung, Hong Kong
+852 2615 9313
+852 2615 9162 (Fax)
www.warnerelectric.com.hk

China - Shanghai

Shanghai Universal Mansion
Suite 703, 168 Yuyuan Road,
Shanghai 200040
+86 21 5169 9255
+86 21 6248 5387 (Fax)
www.altramotion.com.cn

China - Taiwan

3rd Fl., No. 35, Lane 32
Kwang-Fu, South Road
10562 Taipei
+886 2 2577 8156
+886 2 2570 6358 (Fax)
www.warnerelectric.com.tw

Singapore

39 Benoi Road
Singapore 627725
+65 6487 4464
+65 6487 6674 (Fax)
www.warnerelectric.com.sg

Thailand

178 Soi Anamai Srinakarini Rd.,
Suanluang Bangkok 10250
+66 2 322 5527
+66 2 320 2380 (Fax)
www.warnerelectric.co.th

For more information, or to contact authorized agents in Japan, Korea, India, or elsewhere in Asia Pacific, send an email to: ap@altramotion.com



www.warnerelectric.com

31 Industrial Park Road
New Hartford, CT 06057 - USA
815-389-3771
Fax: 815-389-2582