

CATALOGUE



ELECTRIC ACTUATION



WELCOME TO CAMOZZI AUTOMATION

Camozzi Automation offers range of products including components, systems and technologies for the industrial automation sector, the control of fluids – both liquids and gases – and for applications dedicated to the transportation and health industries.



Contacts

Camozzi Automation S.p.A.
Società Unipersonale
Via Eritrea, 20/I
25126 Brescia
Italy
Tel. +39 030 37921
www.camozzi.com

Customer Service
Tel. +39 030 3792790
service@camozzi.com

Export Department
Tel. +39 030 3792262
sales@camozzi.com

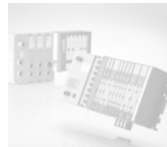
Our catalogues

Pneumatic actuation



- 1 Cylinders according standards
- 2 Compact cylinders
- 3 Stainless steel cylinders
- 4 Guided cylinders
- 5 Cylinders not according standards
- 6 Rotary cylinders
- 7 Rodless cylinders
- 8 Proximity switches
- 9 Clamping elements and shock absorbers

Fieldbus and multiple systems



- 1 Valve islands
- 2 Multi-serial modules

Electric actuation



- 1 Electromechanical cylinders
- 2 Electromechanical axes
- 3 Drives
- 4 Motors

Proportional technology



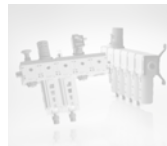
- 1 Proportional valves
- 2 Proportional regulators

Handling and vacuum



- 1 Grippers
- 2 Suction pads
- 3 Ejectors
- 4 Vacuum accessories
- 5 Vacuum filters

Air treatment



- 1 Series MX Modular FRL Units
- 2 Series MC Modular FRL Units
- 3 Series MD Modular FRL Units
- 4 Series N FRL Units
- 5 Pressure regulators
- 6 Pressure switches and vacuum switches
- 7 Accessories for air treatment

Valves and solenoid valves



- 1 Directly and indirectly operated 2/2, 3/2 solenoid valves
- 2 Solenoid valves, pneumatic valves
- 3 Mechanical and manual valves
- 4 Logic valves
- 5 Automatic valves
- 6 Flow control valves
- 7 Silencers


Pneumatic connection



- 1 Super-rapid fittings
- 2 Rapid fittings
- 3 Universal fittings
- 4 Fittings accessories
- 5 Quick-release couplings
- 6 Tubing, spirals and accessories


General index

1 Electromechanical cylinders

	Section	Page
 Series 6E Electromechanical cylinders	1.05	1

2 Electromechanical axes

	Section	Page
 Series 5E Electromechanical axis	2.05	26


 Series 5V Vertical electromechanical axis	2.17	53
---	-------------	----

3 Drives


	Section	Page
 Series DRWB Drives for the control of electric actuation	3.20	67

 Series DRCS Drives for Stepper motors	3.23	76
--	-------------	----

4 Motors

	Section	Page
 Series MTB Motors for electric actuation	4.30	83

 Series MTS Motors for electric actuation	4.35	86
--	-------------	----

 Series GB Planetary gearboxes	4.40	89
--	-------------	----

 Series CO Motion transmission devices	4.45	93
--	-------------	----

Appendix

	Page
Quality: our priority commitment	a.01
Camozzi around the world	a.02
Camozzi distributors around the world	a.03

Alphanumeric index

Model	Series	Section	Page
5E...	5E (Electromechanical axes)	2.05.02	27
5V...	5V (Electromechanical axes)	2.17.02	54
6E...	6E (Electromechanical cylinders)	1.05.02	2
AM-6E-...	6E (Accessories)	1.05.14	14
AR-6E-...	6E (Accessories)	1.05.15	15
B-6E-...	6E (Accessories)	1.05.18	18
BA-6E-...	6E (Accessories)	1.05.17	17
BF-...	6E (Accessories)	1.05.19	19
BG-5EA...	5E (Accessories)	2.05.16	41
BG-6E-...	6E (Accessories)	1.05.20	20
BGS-5E...	5E (Accessories)	2.05.16	41
C+L+S	6E (Accessories)	1.05.22	22
C-41-...	6E (Accessories)	1.05.21	21
C-H-41-...	6E (Accessories)	1.05.21	21
CM-6E-...	6E (Accessories)	1.05.13	13
COE-...	CO (Motion transmission devices)	4.45.02	94
COS-...	CO (Motion transmission devices)	4.45.03	95
D-E-41-...	6E (Accessories)	1.05.20	20
DRCS-...	DRCS (Drives)	3.20.09	75
DRWB-...	DRWB (Drives)	3.20.03	69
EC-...	DRWB (Cables)	3.20.05-08	71-74
EC-...	DRCS (Cables)	3.23.02	77
FM-6E-...	6E (Accessories)	1.05.13	13
FN-...	6E (Accessories)	1.05.19	19
FR-5E-...	5E (Accessories)	2.05.23	48
FR-5V-...	5V (Accessories)	2.17.12	64
FRH-5E-...	5E (Accessories)	2.05.23, 24	48, 49
FS-5E-...	5E (Accessories)	2.05.24	49
G-...	6E (Accessories)	1.05.24	24
G11W-G13W-2	DRWB (Cables)	3.20.09	75
G11W-G13W-2	DRCS (Cables)	3.23.07	82
G14W-...	DRWB (Cables)	3.20.09	75
G2W-...	DRCS (Cables)	3.23.06	81
GA-...	6E (Accessories)	1.05.24	24
GB-...	GB (Gearboxes)	4.40.02	90
GK-...	6E (Accessories)	1.05.25	25
GKF-...	6E (Accessories)	1.05.25	25
GY-...	6E (Accessories)	1.05.24	24
L-41-...	6E (Accessories)	1.05.21	21
MTB-...	MTB (Motors)	4.30.02	84
MTS-...	MTS (Motors)	4.35.02	87
PCF-E520	DRCS (Accessories)	3.23.07	82
PCV-5E-C...	5E (Accessories)	2.05.25	50
PM-6E-...	6E (Accessories)	1.05.16	16
PS-5E-...	5E (Accessories)	2.05.26	51
R-41-...	6E (Accessories)	1.05.23	23
S-...	6E (Accessories)	1.05.23	23
S-CST-500	6E (Accessories)	1.05.25	25
SIS-M...	5E (Accessories)	2.05.22	47
SMS-5V-...	5V (Accessories)	2.17.12, 13	64, 65
TR-CG-...	5E (Accessories)	2.05.22	47
U-...	6E (Accessories)	1.05.24	24
X-P...	5E (Accessories)	2.05.20	45
XY-S...	5E (Accessories)	2.05.17-20	42-45
YZ-...	5E (Accessories)	2.05.21	46
YZ-...	5V (Accessories)	2.17.14	66
ZC-...	6E (Accessories)	1.05.22	22

Series 6E electromechanical cylinders

Sizes 32, 40, 50, 63, 80, 100

SERIES 6E ELECTROMECHANICAL CYLINDERS



The Series 6E cylinders are mechanical linear actuators with rod, in which the rotary movement, generated by a motor, is converted into a linear movement by means of a recirculating ball screw. Available in 6 sizes, the Series 6E has dimensions based on the ISO 15552 standard and it is therefore possible to use the mounting accessories of the pneumatic cylinders.

The cylinders are equipped with a magnet that makes it possible to use external magnetic proximity switches (Series CST and CSH), allowing operations like homing or extra-stroke readings to be performed. The Series 6E is equipped with specific interface kits, which make it possible to connect the motor, both in line and parallel. High precision and easy mounting make the Series 6E the ideal solution for different applications, especially for multi-position systems.

- » In compliance with the ISO 15552 standard
- » Multi-position system with transmission of the movement by means of a recirculating ball screw
- » Possibility to connect the motor in line or parallel
- » Large range of motor interfaces
- » Permanent pre-lubrication (maintenance free)
- » High positioning repeatability
- » Reduced axial backlash
- » Possibility to use magnetic sensors
- » Integrated anti-rotation system of the rod
- » IP40 / IP65
- » Wide range of fixing accessories
- » Compatible with Series 45 anti-rotation guide units

GENERAL DATA

Construction	electromechanical cylinder with recirculating ball screw
Design	profile with thread rolling screws based on the ISO 15552 standard
Operation	multi-position actuator with high precision linear movement
Sizes	32, 40, 50, 63, 80, 100
Strokes (min - max)	100 ÷ 1500 mm
Anti-rotation function	with anti-friction pads in technopolymer
Mounting	front / rear flange, with feet, with front / rear / swivel trunnion
Mounting motor	in line and parallel
Operating temperature	0°C ÷ 50°C
Storage temperature	-20°C ÷ 80°C
Protection class	IP40 / IP65
Lubrication	Not necessary. A pre-lubrication is performed on the cylinder.
Max. Reversing backlash	0.02 mm
Repeatability	± 0.02
Duty cycle	100%
Max rotation play	± 0.4°
Use with external sensors	slots on three sides for sensors model CSH and CST

STANDARD STROKES

Intermediate strokes are available upon request.

STANDARD STROKES	100	200	300	400	500	600	700	800	1000	1200	1500
32	x	x	x	x	x						
40	x	x	x	x	x	x	x				
50	x	x	x	x	x	x		x	x		
63	x	x	x	x	x			x	x	x	
80	x	x	x	x	x			x	x	x	x
100	x	x	x	x	x			x	x	x	x

CODING EXAMPLE

6E	032	BS	0200	P05	A
-----------	------------	-----------	-------------	------------	----------

6E	SERIES
032	SIZE: 032 = 32 040 = 40 050 = 50 063 = 63 080 = 80 100 = 100
BS	DESIGN: BS = recirculating ball screw
0200	STROKE: 100 ÷ 1500 mm
P05	SCREW PITCH: P05 = 5 mm P10 = 10 mm P16 = 16 mm (for size 40 only) P20 = 20 mm (for size 50 only) P25 = 25 mm (for size 63 only) P32 = 32 mm (for size 80 only) P40 = 40 mm (for size 100 only)
A	CONSTRUCTION: A = standard with rod nut
	VERSION: = IP40 (not available for sizes 80 and 100) P = IP65 (_ _ _) = extended piston rod _ _ _ mm

MECHANICAL CHARACTERISTICS

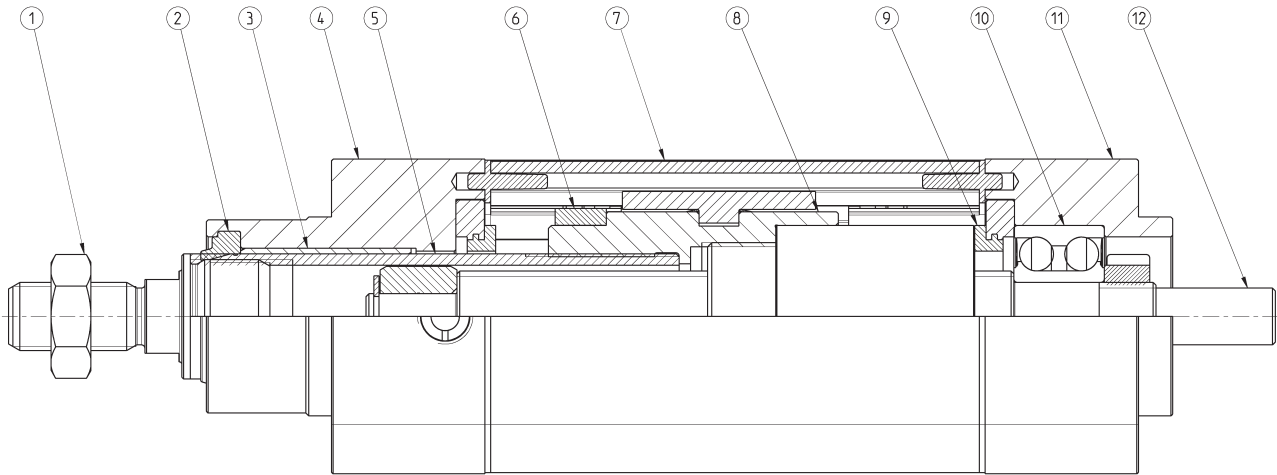
Size	32	32	40	40	40	50	50	50	63	63	63	80	80	80	80	100	100	100	100	
BS screw diameter [mm]	12	12	16	16	16	20	20	20	25	25	25	32	32	32	32	40	40	40	40	
BS screw pitch (p) [mm]	5	10	5	10	16	5	10	20	5	10	25	5	10	20	32	5	10	20	40	
Dynamic load coefficient (C)	[N]	6600	4400	12000	8500	9150	14900	11300	7800	17700	20500	11300	26300	52500	28200	26100	35100	55900	45300	55900
Max admissible load (C _{max})	[N]	525 ^(A)	440 ^(A)	950 ^(A)	850 ^(A)	1070 ^(A)	1180 ^(A)	1130 ^(A)	980 ^(A)	1405 ^(A)	2050 ^(A)	1535 ^(A)	2085 ^(A)	5250 ^(A)	3550 ^(A)	3845 ^(A)	2785 ^(A)	5590 ^(A)	5705 ^(A)	8875 ^(A)
Max applicable torque	[Nm]	2.50	2.80	5.50	6.50	8.20	9.10	10.90	13.60	16.60	19.90	24.90	30	36	30	36	60	60	60	60
Max linear speed *	[m/s]	0.56	1.12	0.42	0.84	1.33	0.33	0.67	1.33	0.27	0.53	1.33	0.23	0.47	0.94	1.50	0.19	0.38	0.75	1.50
Max rotational speed	[rpm]	6670	6670	5000	5000	5000	4000	4000	4000	3200	3200	3200	2810	2810	2810	2810	2250	2250	2250	2250
Max acceleration	[m/s ²]	25	25	25	25	25	25	25	25	25	25	25	25	25	25	25	25	25	25	25

^(A) Value refers to a covered distance of 10000 Km (see the diagrams "Life of the cylinder according to the average axial force applied").

* the maximum rotational speed of the cylinder varies according to the stroke (see the diagrams "Maximum speed of the cylinder according to its stroke")

SERIES 6E MATERIALS

SERIES 6E ELECTROMECHANICAL CYLINDERS

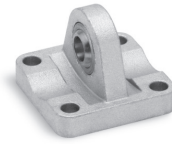


LIST OF COMPONENTS	
PARTS	MATERIALS
1. Rod nut	Zinc-plated steel
2. Rod seal	PU
3. Bushing	Technopolymer
4. Front endcap	Anodized aluminium alloy
5. Rod	Stainless steel
6. Magnet	Plastoferrite
7. Extrusion profile	Anodized aluminium alloy
8. Guiding element BS screw	Aluminium alloy
9. End stroke seals	NBR
10. Bearing	Steel
11. Rear endcap	Anodized aluminium alloy
12. BS ball screw	Steel

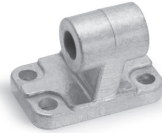
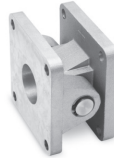
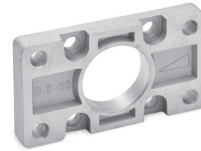
ACCESSORIES FOR SERIES 6E CYLINDERS

Piston rod socket joint
Mod. GYPiston rod lock nut
Mod. U

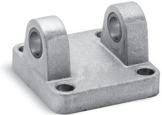
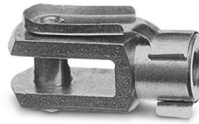
Clevis pin Mod. S

Rear trunnion ball-joint
Mod. RCoupling piece
Mod. GKF

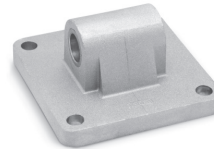
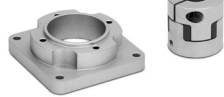
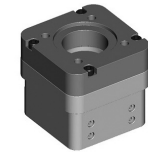
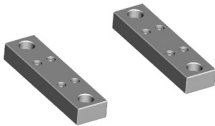
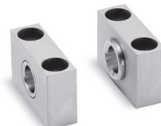
Swivel ball joint Mod. GA

90° male trunnion
Mod. ZCSwivel Combination
Mod. C+L+SFront flange
Mod. D-ESelf aligning rod
Mod. GK

Foot mount Mod. B-6E

Rear female trunnion
Mod. C and C-H

Rod fork end Mod. G

Rear trunnion male
Mod. LSide clamping bracket
Mod. BGHousing for axial
connection Mod. CMFlange for axial
connection Mod. FMKit for axial connection
Mod. AMKit for parallel connection
Mod. PMKit for axial connection
Mod. ARCylinder bracket
Mod. BA-6EFront spot faced trunnion
Mod. FNCounter bracket for
trunnion Mod. BFSeries 45
anti-rotation guide units

All accessories are supplied separately, except for piston rod lock nut Mod. U

HOW TO CALCULATE THE LIFE OF THE CYLINDER

To perform a correct dimensioning of the Series 6E cylinder, you need to consider some facts.

Among these, the most important are:

- Dynamics of the system
- Operation and pause cyclicity
- Work environment
- General performance requirements: repeatability, accuracy, precision, etc.

CALCULATE THE LIFE IN ROTATIONS

where:

$$L_r = \left(\frac{C}{F_m \cdot f_w} \right)^3 \cdot 10^6$$

L_r = Life of the cylinder in number of rotations of the BS ball screw

C = Dynamic load coefficient of the cylinder [N]

F_m = Average axial force applied [N]

f_w = Safety coefficient according to the working conditions

CALCULATION OF LIFE IN km

where:

$$L_{km} = \frac{L_r \cdot p}{10^6}$$

L_{km} = Life of the cylinder in km [km]

p = pitch of the BS ball screw [mm]

CALCULATION OF THE LIFE IN HOURS

where:

$$L_h = \frac{L_r}{n_m \cdot 60}$$

L_h = Life of the cylinder in hours

n_m = average number of revolutions of the RDS ball screw [rpm]

APPLICATION	ACCELERATION [m/s ²]	SPEED [m/s]	DUTY CYCLE	f _w COEFFICIENT
light	< 5.0	< 0.5	< 35%	1.0 ÷ 1.25
normal	5.0 ÷ 15.0	0.5 ÷ 1.0	35% ÷ 65%	1.25 ÷ 1.5
heavy	> 15.0	> 1.0	> 65%	1.5 ÷ 3.0

ANALYSIS OF THE DUTY CYCLE AND OF SYSTEM PAUSES

The analysis of the duty cycle and of the pauses of the system is essential to calculate the average F_m axial loads and the number of average revolutions n_m that act on the cylinder.

Normally, the duty cycle is composed by phases and for each single phase, we can have an acceleration, constant speed or deceleration.

CALCULATION OF THE AVERAGE AXIAL FORCE

$$F_m = \sqrt[3]{\frac{(F_{a1}^3 \cdot n_{a1} \cdot t_{a1}) + (F_{vc1}^3 \cdot n_{vc1} \cdot t_{vc1}) + (F_{d1}^3 \cdot n_{d1} \cdot t_{d1}) + \dots + (F_{an}^3 \cdot n_{an} \cdot t_{an}) + (F_{vcn}^3 \cdot n_{vcn} \cdot t_{vcn}) + (F_{dn}^3 \cdot n_{dn} \cdot t_{dn})}{(n_{a1} \cdot t_{a1}) + (n_{vc1} \cdot t_{vc1}) + (n_{d1} \cdot t_{d1}) + \dots + (n_{an} \cdot t_{an}) + (n_{vcn} \cdot t_{vcn}) + (n_{dn} \cdot t_{dn})}}$$

CALCULATION OF THE AVERAGE NUMBER OF REVOLUTIONS

$$n_m = \left\{ \frac{(n_{a1} \cdot t_{a1}) + (n_{vc1} \cdot t_{vc1}) + (n_{d1} \cdot t_{d1}) + \dots + (n_{an} \cdot t_{an}) + (n_{vcn} \cdot t_{vcn}) + (n_{dn} \cdot t_{dn})}{t_{a1} + t_{vc1} + t_{d1} + \dots + t_{an} + t_{vcn} + t_{dn}} \right\}$$

The table shown below reports the values of acceleration, speed and deceleration for each phase.

		F [N]	n [rpm]	time %
PHASE 1	Acceleration	Fa1	na1	ta1
	Constant speed	Fvc1	nvc1	tvc1
	Deceleration	Fd1	nd1	td1
PHASE 2	Acceleration	Fa2	na2	ta2
	Constant speed	Fvc2	nvc2	tvc2
	Deceleration	Fd2	nd2	td2
PHASE "n -1"	Acceleration	Fan-1	nan-1	tan-1
	Constant speed	Fvcn-1	nvcn-1	tvcn-1
	Deceleration	Fdn-1	ndn-1	tdn-1
PHASE "n"	Acceleration	Fan	nan-1	tan-1
	Constant speed	Fvcn	nvcn-1	tvcn-1
	Deceleration	Fdn	ndn-1	tdn-1
TOTAL				100%

APPLICATION EXAMPLE

Phase 1	$F_{a1} = 142 \text{ N};$ $n_{a1} = 630 \text{ rpm};$ $t_{a1} = 0,7 \text{ %};$	$F_{vc1} = 98 \text{ N};$ $n_{vc1} = 1260 \text{ rpm};$ $t_{vc1} = 12,9 \text{ %};$	$F_{d1} = 54 \text{ N};$ $n_{d1} = 630 \text{ rpm};$ $t_{d1} = 0,7 \text{ %};$
Phase 2	$F_{a2} = 616 \text{ N};$ $n_{a2} = 450 \text{ rpm};$ $t_{a2} = 4,8 \text{ %};$	$F_{vc2} = 589 \text{ N};$ $n_{vc2} = 900 \text{ rpm};$ $t_{vc2} = 33,3 \text{ %};$	$F_{d2} = 562 \text{ N};$ $n_{d2} = 450 \text{ rpm};$ $t_{d2} = 4,8 \text{ %};$
Phase 3	$F_{a3} = 997 \text{ N};$ $n_{a3} = 240 \text{ rpm};$ $t_{a3} = 7,1 \text{ %};$	$F_{vc3} = 981 \text{ N};$ $n_{vc3} = 480 \text{ rpm};$ $t_{vc3} = 28,6 \text{ %};$	$F_{d3} = 965 \text{ N};$ $n_{d3} = 240 \text{ rpm};$ $t_{d3} = 7,1 \text{ %};$

in this way it is possible to determine:

$$\begin{aligned} K_1 &= (F_{a1}^3 \cdot n_{a1} \cdot t_{a1}) + (F_{vc1}^3 \cdot n_{vc1} \cdot t_{vc1}) + (F_{d1}^3 \cdot n_{d1} \cdot t_{d1}) & n_1 &= (n_{a1} \cdot t_{a1}) + (n_{vc1} \cdot t_{vc1}) + (n_{d1} \cdot t_{d1}) & T_1 &= t_{a1} + t_{vc1} + t_{d1} \\ K_2 &= (F_{a2}^3 \cdot n_{a2} \cdot t_{a2}) + (F_{vc2}^3 \cdot n_{vc2} \cdot t_{vc2}) + (F_{d2}^3 \cdot n_{d2} \cdot t_{d2}) & n_2 &= (n_{a2} \cdot t_{a2}) + (n_{vc2} \cdot t_{vc2}) + (n_{d2} \cdot t_{d2}) & T_2 &= t_{a2} + t_{vc2} + t_{d2} \\ K_3 &= (F_{a3}^3 \cdot n_{a3} \cdot t_{a3}) + (F_{vc3}^3 \cdot n_{vc3} \cdot t_{vc3}) + (F_{d3}^3 \cdot n_{d3} \cdot t_{d3}) & n_3 &= (n_{a3} \cdot t_{a3}) + (n_{vc3} \cdot t_{vc3}) + (n_{d3} \cdot t_{d3}) & T_3 &= t_{a3} + t_{vc3} + t_{d3} \end{aligned}$$

Concluding, we know that:

$$F_m = \sqrt[3]{\frac{(K_1 + K_2 + K_3)}{(n_1 + n_2 + n_3)}} = 596,64 \text{ N}$$

$$n_m = \frac{n_1 + n_2 + n_3}{T_1 + T_2 + T_3} = 685,7 \text{ rpm}$$

		F [N]	n [rpm]	time %
PHASE 1	Acceleration	142	630	0.7
	Constant speed	98	1260	12.9
	Deceleration	54	630	0.7
PHASE 2	Acceleration	616	450	4.8
	Constant speed	589	900	33.3
	Deceleration	562	450	4.8
PHASE 3	Acceleration	997	240	7.1
	Constant speed	981	480	28.6
	Deceleration	965	240	7.1
TOTAL				100.0

HOW TO CALCULATE THE DRIVING TORQUE [Nm]

F_A = Total force acting from outside [N]
 F_E = Force to be applied externally [N]
 g = Gravitational acceleration (9.81 m/s²)
 m_E = Mass of the body to move [kg]
 μ = Friction coefficient of the support guide
 p = Pitch of the ball screw [mm]
 C_{M1} = Driving torque due to external agents [Nm]

$$C_{TOT} = C_{M1} + C_{M2} + C_{M3}$$

$$F_A = F_E + \mu \cdot m_E \cdot g$$

$$C_{M1} = \frac{F_A \cdot p}{2\pi \cdot 1000}$$

J_{TOT} = Moment of inertia of rotating components [kg·m²]
 J_F = Moment of inertia of fixed-length rotating components [kg·m²]
 J_V = Moment of inertia of variable-length rotating components [kg·m²]
 K_V = Coefficient of inertia of variable-length rotating components [kg·mm²/mm]
 C = Rod stroke [mm]
 $\dot{\omega}$ = Angular acceleration [rad/s²]
 a = Linear acceleration of the ball screw [m/s²]
 C_{M2} = Driving torque due to rotating components [Nm]

$$J_{TOT} = (J_F + J_V) \cdot 10^{-6}$$

$$J_V = K_V \cdot C$$

$$\dot{\omega} = \frac{a \cdot 2\pi \cdot 1000}{p}$$

$$C_{M2} = J_{TOT} \cdot \dot{\omega}$$

F_{TT} = Force needed to move translating components [N]
 F_{TF} = Force needed to move fixed-length translating components [N]
 F_{TV} = Force needed to move variable-length translating components [N]
 m_{c1} = Mass of the fixed-length translating components [kg]
 K_{TV} = Mass coefficient of variable-length translating components [kg/mm]
 C_{M3} = Driving torque due to translating components [Nm]

$$F_{TT} = F_{TF} + F_{TV}$$

$$F_{TF} = m_{c1} \cdot a$$

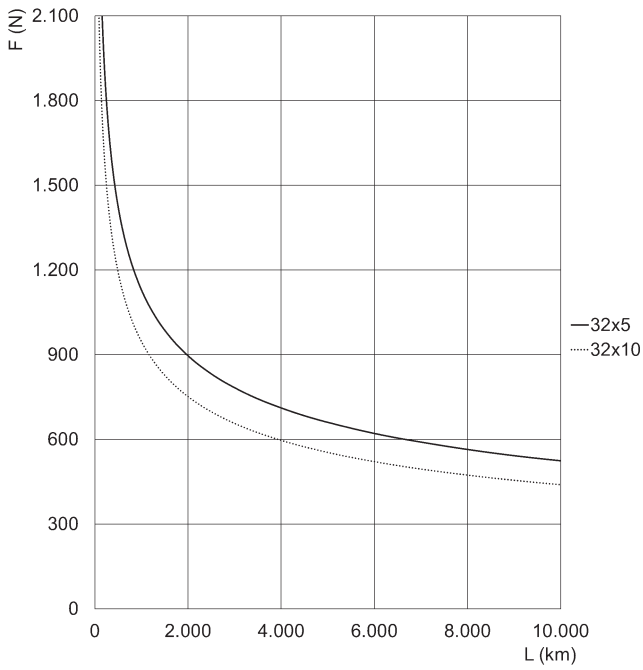
$$F_{TV} = K_{TV} \cdot C \cdot a$$

$$C_{M3} = \frac{F_{TT} \cdot p}{2\pi \cdot 1000}$$

Values of masses and fixed and rotating inertia moments of 6E components

Size	J_f [kg·mm ²]	K_v [kg·mm ² /mm]	m_{c1} [kg]	K_{tv} [kg/m]
32	2.88	0.02	0.15	0.79
40	7.92	0.05	0.43	0.98
50	21.77	0.12	0.70	1.13
63	66.35	0.30	1.07	1.38
80	230.89	0.81	2.25	1.87
100	526.49	1.98	3.94	2.37

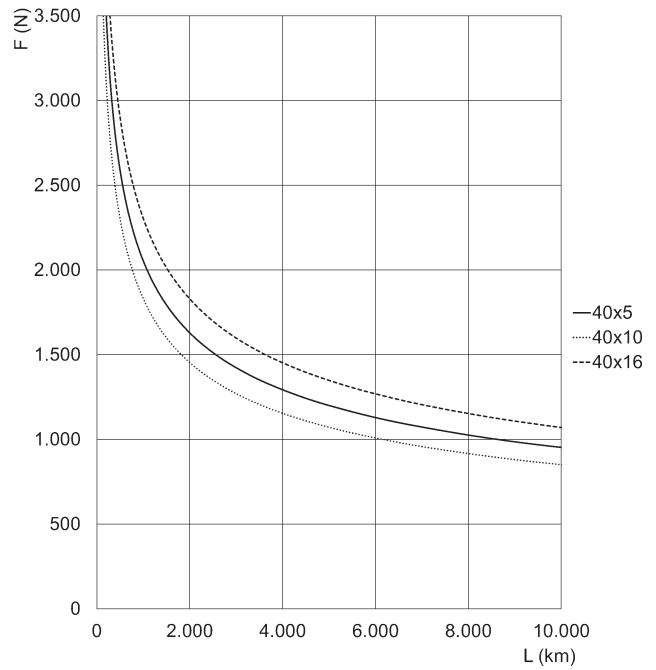
Life of the cylinder according to the average axial force applied



Size 32

F = Axial Force [N]
L = life [km]

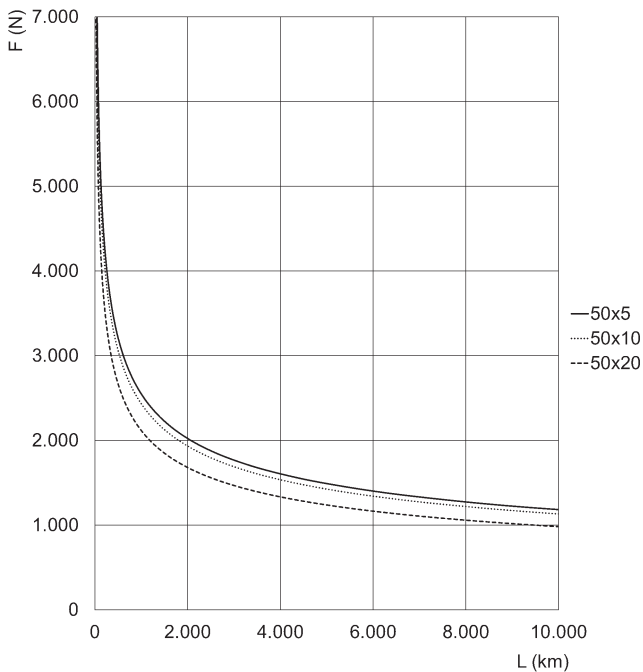
* Curves calculated with $f_w = 1$



Size 40

F = Axial Force [N]
L = life [km]

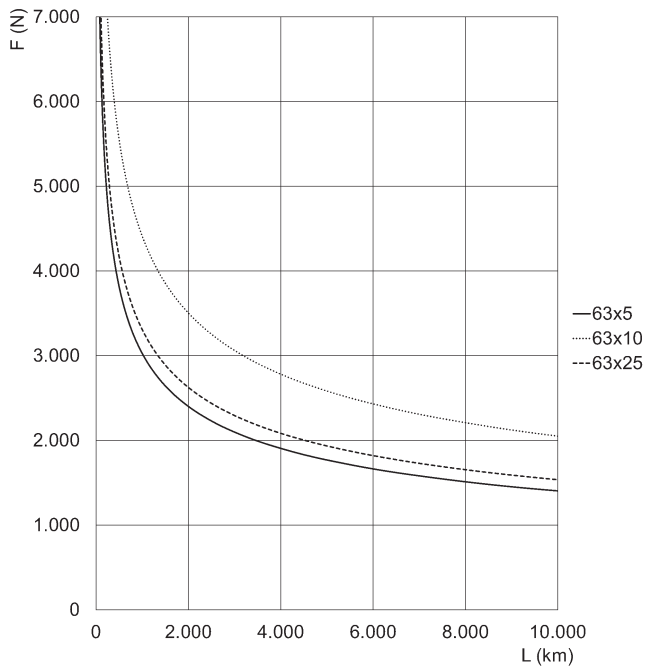
* Curves calculated with $f_w = 1$



Size 50

F = Axial Force [N]
L = life [km]

* Curves calculated with $f_w = 1$

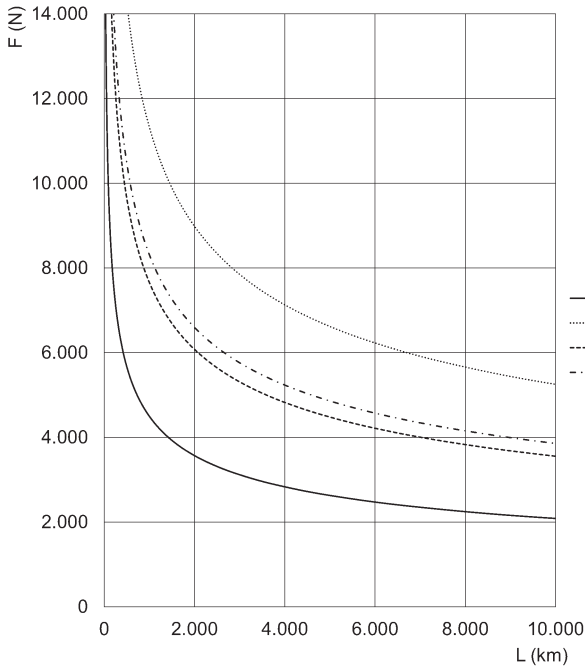


Size 63

F = Axial Force [N]
L = life [km]

* Curves calculated with $f_w = 1$

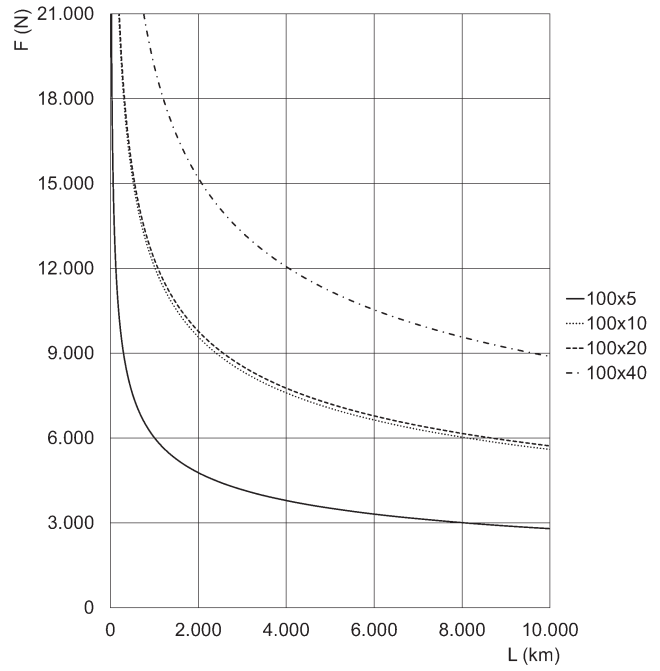
Life of the cylinder according to the average axial force applied



Size 80

F = Axial Force [N]
L = life [km]

* Curves calculated with $f_w = 1$

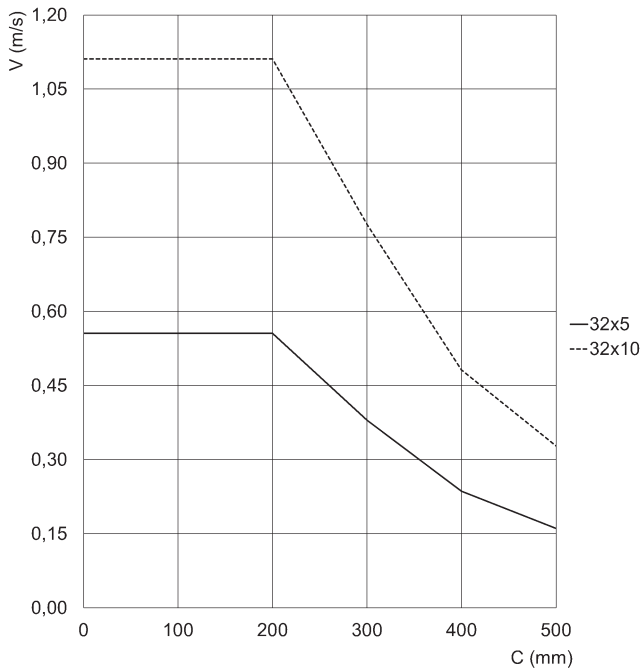


Size 100

F = Axial Force [N]
L = life [km]

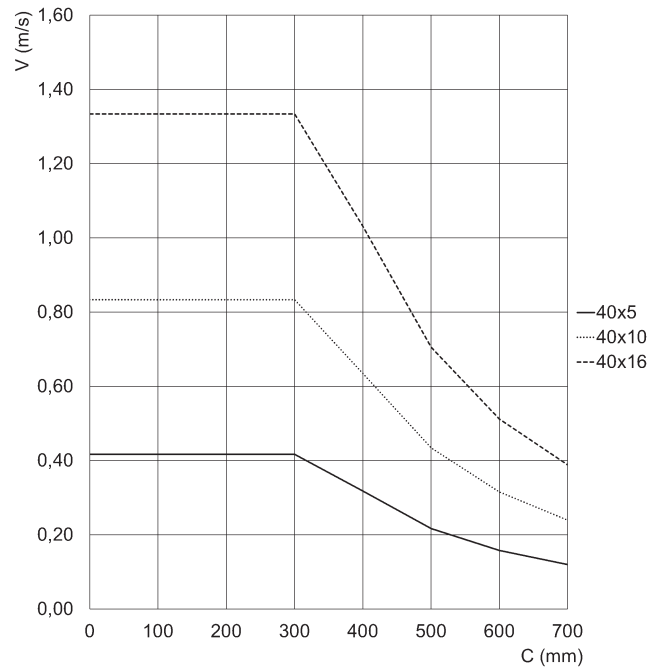
* Curves calculated with $f_w = 1$

Maximum speed of the cylinder according to its stroke



Size 32

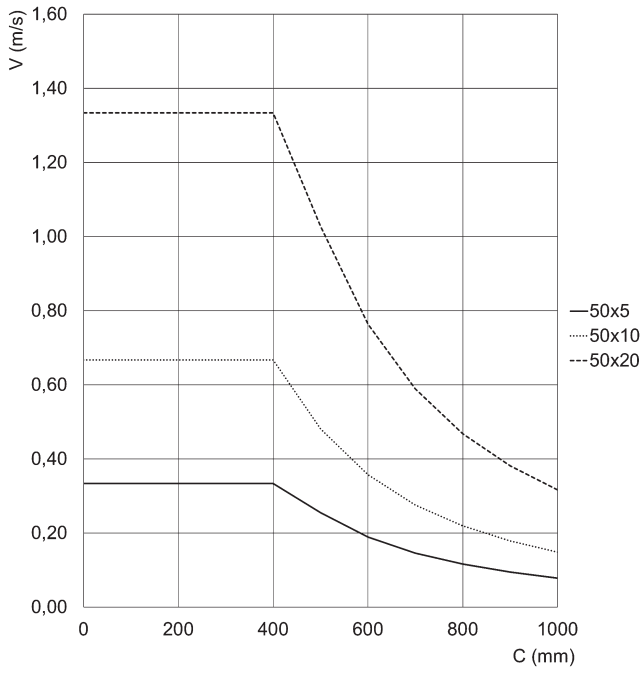
V = speed [m/s]
c = stroke [mm]



Size 40

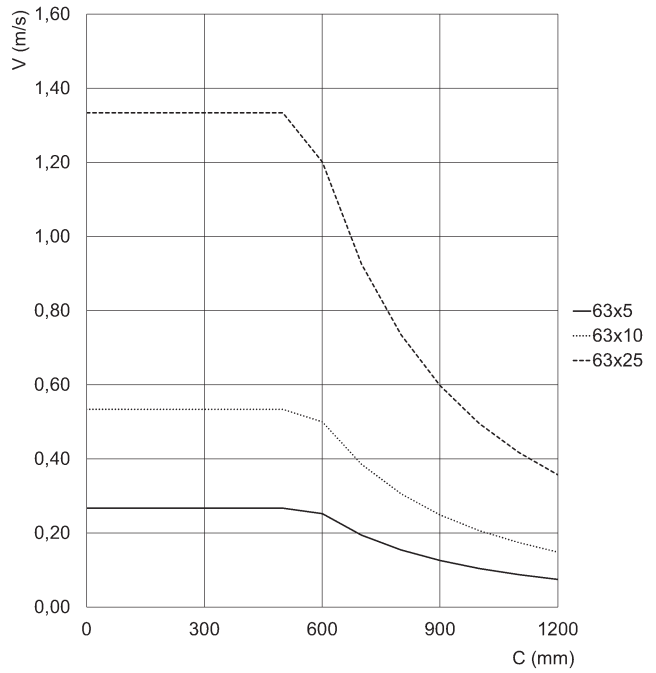
V = speed [m/s]
c = stroke [mm]

Maximum speed of the cylinder according to its stroke



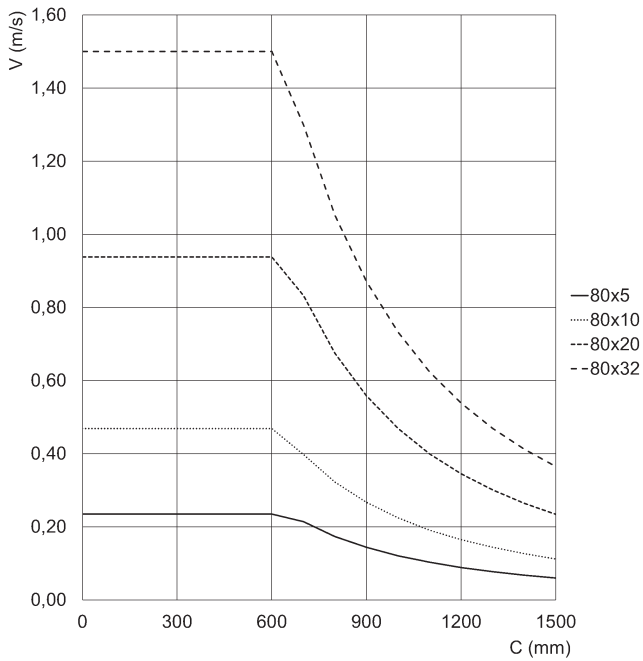
Size v

V = speed [m/s]
c = stroke [mm]



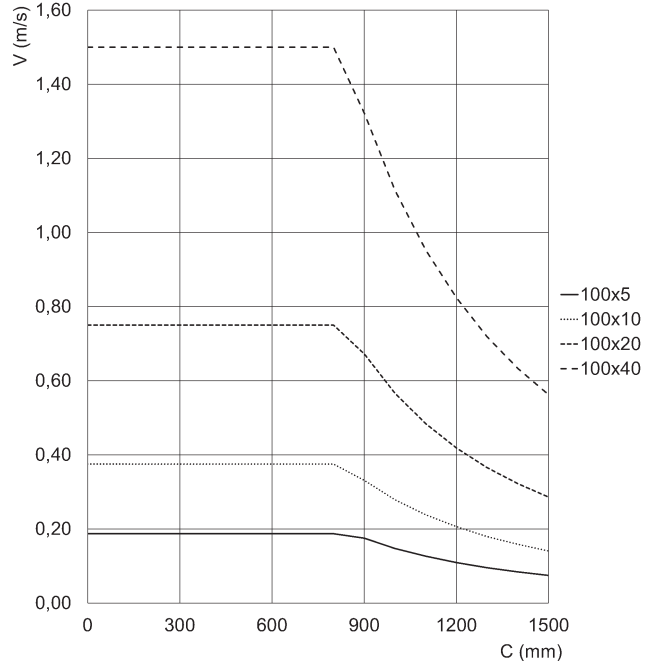
Size 63

V = speed [m/s]
c = stroke [mm]



Size 80

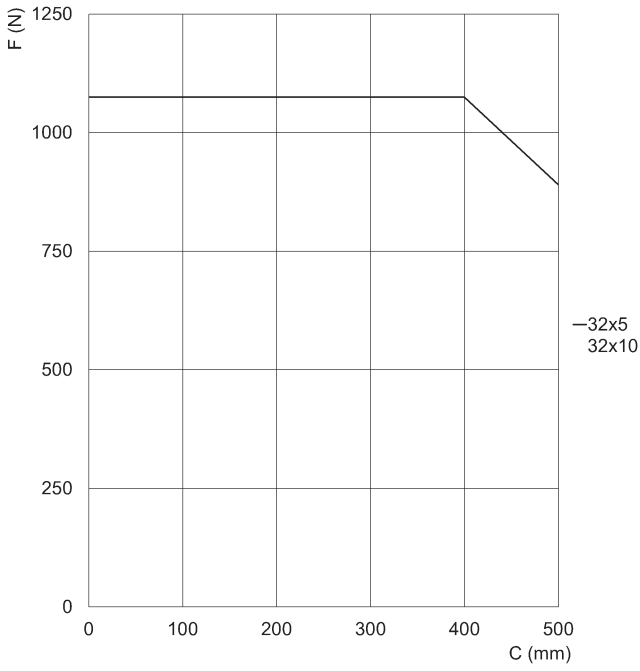
V = speed [m/s]
c = stroke [mm]



Size 100

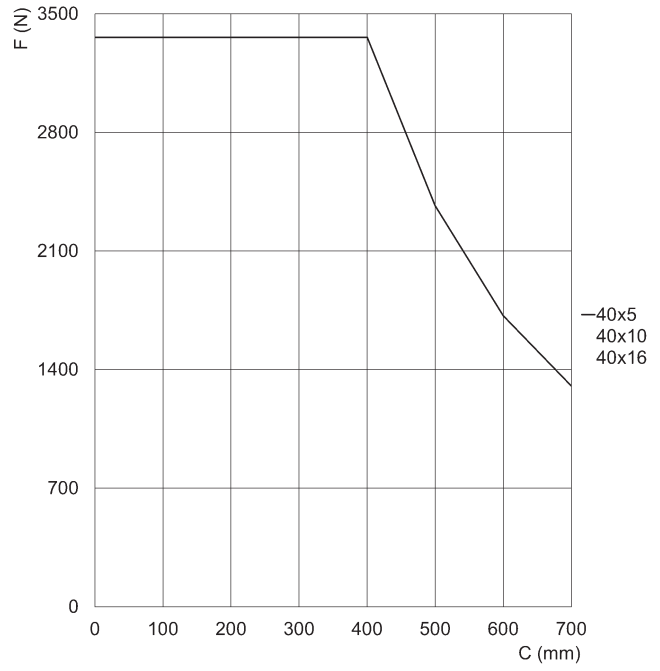
V = speed [m/s]
c = stroke [mm]

Maximum force of the cylinder according to its stroke



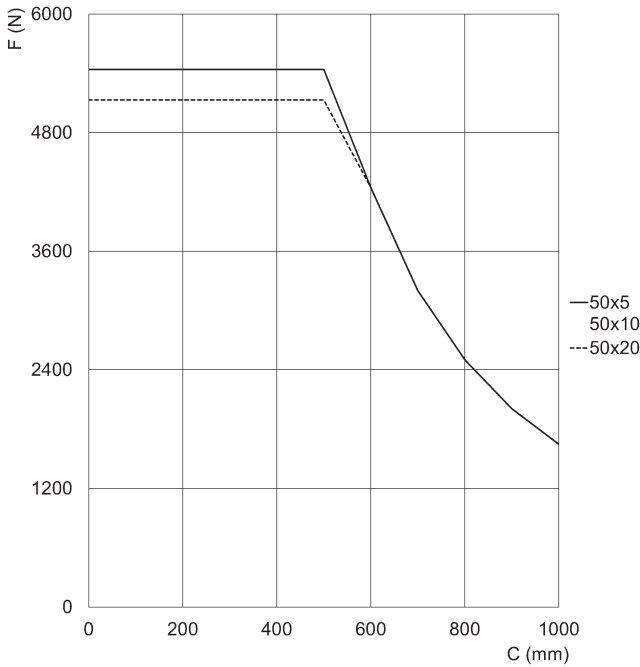
Size 32

F = static axial Force [N]
c = stroke [mm]



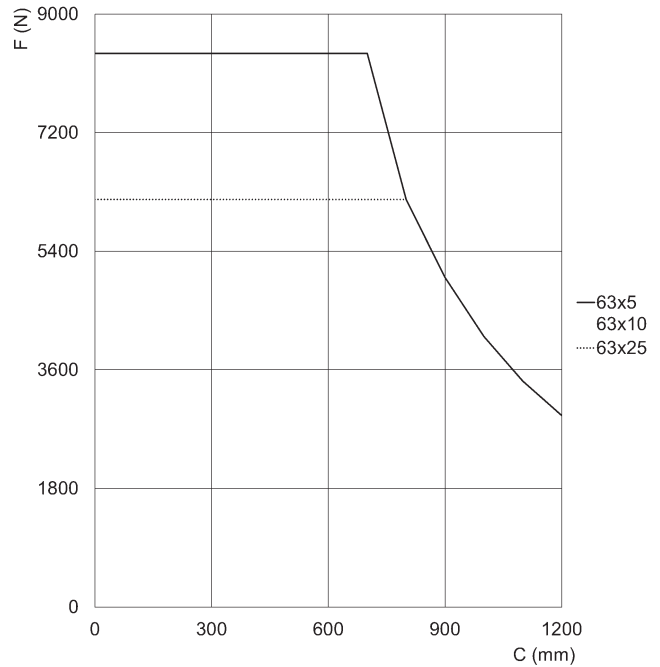
Size 40

F = static axial Force [N]
c = stroke [mm]



Size 50

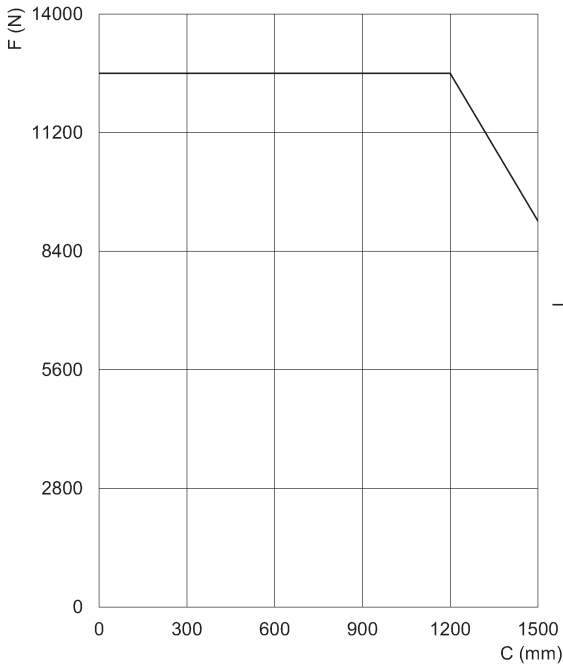
F = static axial Force [N]
c = stroke [mm]



Size 63

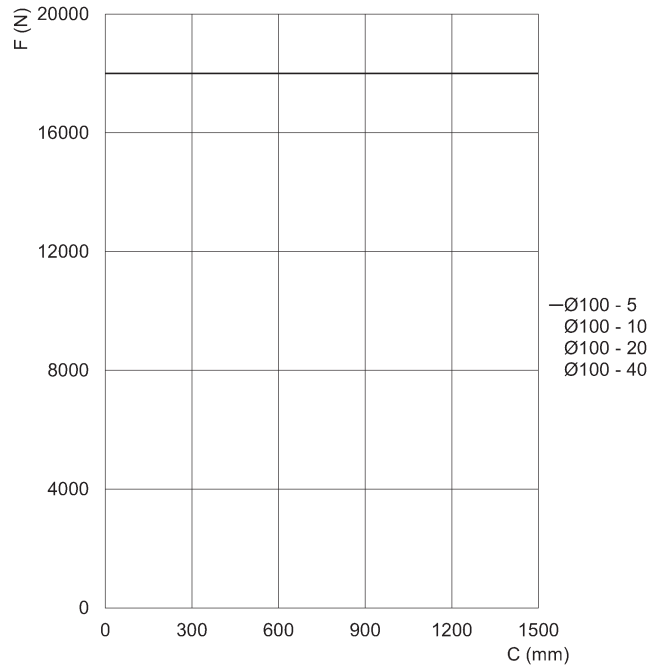
F = static axial Force [N]
c = stroke [mm]

Maximum force of the cylinder according to its stroke



Size 80

F = static axial Force [N]
 c = stroke [mm]

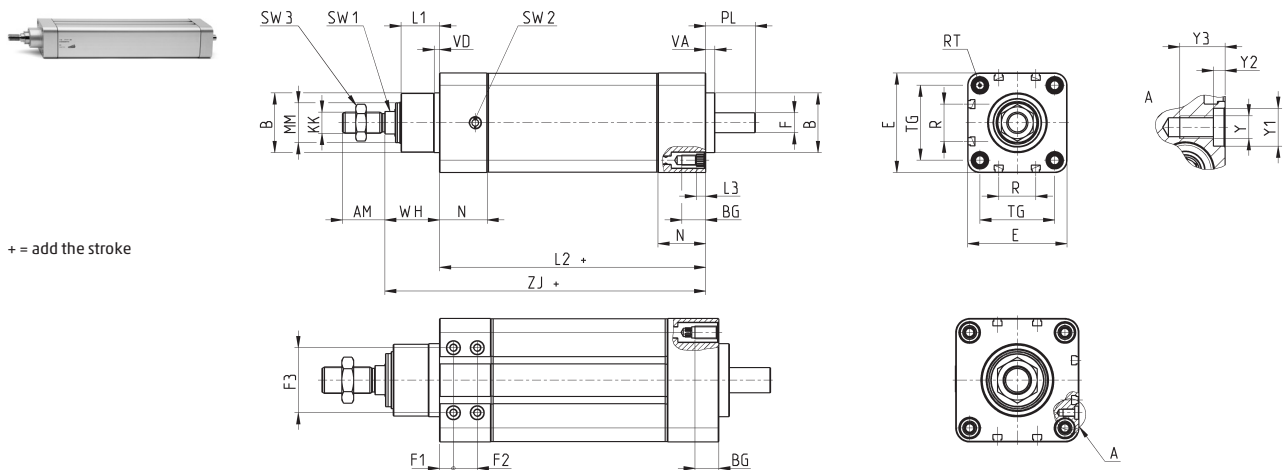


Size 100

F = static axial Force [N]
 c = stroke [mm]

SERIES 6E ELECTROMECHANICAL CYLINDERS

Series 6E cylinders



Size	AM	B	BG	E	F	F1	F2	F3	KK	L1	L2+	L3	MM	N	R	RT	PL	SW1	SW2	SW3	TG	VA	VD	Y	Y1	Y2	Y3	WH	ZJ+	weight stroke 0 [g]	weight stroke [kg/m]
32	22	30	16	46.5	8	-	-	-	M10x1.25	20	125	5.5	18	26	13	M6	21	10	G1/8	17	32.5	6	4	-	-	-	30	155	1175	3.77	
40	24	35	16	55.4	10	-	-	-	M12x1.25	22	142	5.5	22	27	13.5	M6	24	13	G1/8	19	38	6	4	-	-	-	33	175	1395	5.30	
50	32	40	16	64.9	12	-	-	-	M16x1.5	26	173	5.5	25	36	16	M8	30	17	G1/8	24	46.5	7	4	-	-	-	38	211	2280	6.03	
63	32	45	16	75	15	-	-	-	M16x1.5	29	201	5.5	30	36	28	M8	38	17	G1/8	24	56.5	7	4	-	-	-	42	242.5	3500	9.77	
80	40	55	18	93	19	10.5	18	49	M20x1.5	35	211	-	40	39	30	M10	39	22	G1/4	30	72	8	8	M6	10	3	12	49	260	6440	13.70
100	40	65	18	115	24	13	18	62	M20x1.5	38	232	-	50	44	40	M10	42	22	G1/4	30	89	8	8	M8	12	3	16	51	283	10725	20.50

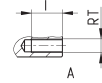
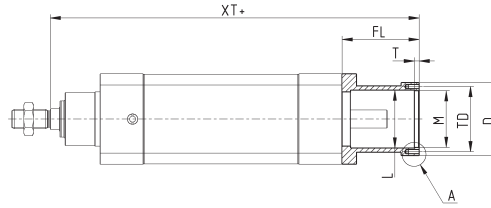
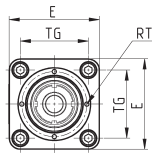
Housing for axial connection Mod. CM

Material: anodized aluminium



Supplied with:
1x housing
4x screws

+ = add the stroke



Mod.	Size	XT	E	$\varnothing D$	TG	FL	$\varnothing L$	$\varnothing M^{(H7)}$	T	TD	RT	I	Weight (g)
CM-6E-32	32	201	46.5	42	32.5	46	29	32	4	37	M3	9	100
CM-6E-40	40	224	55.4	52	38	49	36	37	4	43	M3	9	150
CM-6E-50	50	267	64.9	58	46.5	56	39	42	4	49	M4	9	225
CM-6E-63	63	306.5	75	60.5	56.5	64	48	47	4	54	M4	9	280

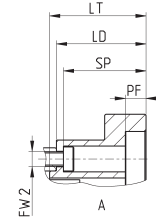
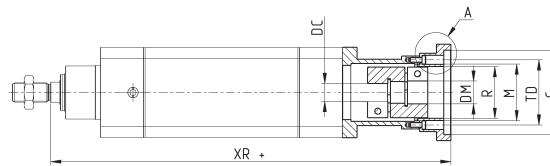
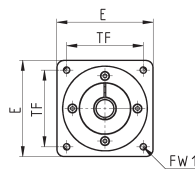
Flange for axial connection Mod. FM

Material: anodized aluminium



Supplied with:
1x flange
1x flexible coupling
4x screws

+ = add the stroke



Mod.	Size	Housing	Motor	XR	$\varnothing C^{(H7)}$	PF	LT	LD	$\varnothing M^{(H7)}$	E	$\varnothing R$	TF	FW1	$\varnothing TD$	SP	$\varnothing FW2$	$\varnothing DC$	$\varnothing DM$	Weight (g)
FM-6E-32-0100	32	CM-6E-32	MTB-010-...	210	30	6	11	9	32	42	29	31.8	M3	37	6	3.5	8	8	65
FM-6E-32-0023	32	CM-6E-32	MTS-23-...	208	38.1	5	9	7	32	56.4	29	47.1	M4	37	5	3.5	8	6.35	140
FM-6E-40-0400	40	CM-6E-40	MTB-040-...	242	50	3.5	20	18	37	60	33	49.5	M5	43	3.5	3.5	10	14	140
FM-6E-40-0023	40	CM-6E-40	MTS-23-...	231	38.1	5	9	7	37	56.4	33	47.1	M4	43	5	3.5	10	6.35	215
FM-6E-50-0400	50	CM-6E-50	MTB-040-...	284	50	6	19	17	42	60	37	49.5	M5	49	14	4.5	12	14	210
FM-6E-50-0024	50	CM-6E-50	MTS-24-...	274	38.1	3	9	7	42	58	37	47.1	M4	49	4	4.5	12	8	190
FM-6E-63-0750	63	CM-6E-63	MTB-075-...	332.5	70	6	28	26	47	80	43	63.6	M6	54	24	4.5	15	19	565
FM-6E-63-0024	63	CM-6E-63	MTS-24-...	313.5	38.1	5	9	7	47	60.5	43	47.1	M4	54	5	4.5	15	8	200

Kit for axial connection Mod. AM

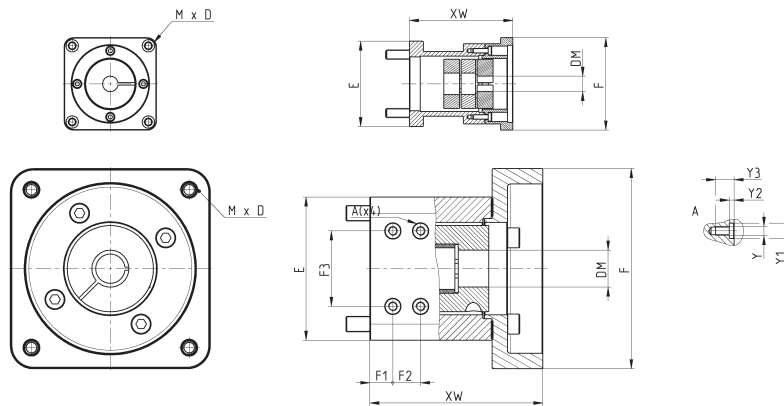
Detailed information about the size of interfaceable motors can be found further on in the dedicated section.



Supplied with:
 1x housing, 1x flange,
 1x flexible coupling,
 4x screws to connect on the
 cylinder's side,
 4x screws to connect on the
 motor's side,
 3x seals, 4x seal washers

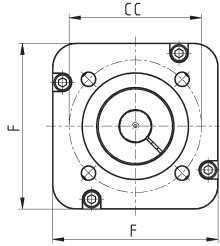
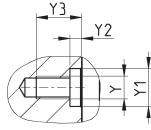
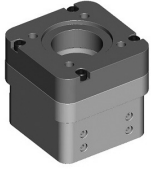
Ø32-40-50-63

Ø80-100

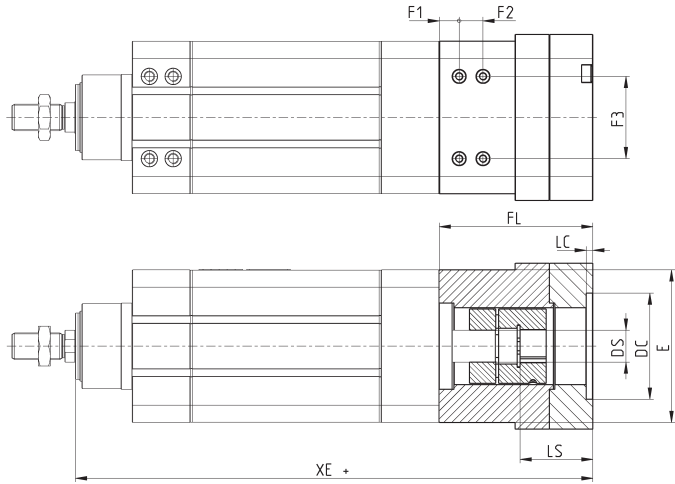


Mod.	Size	Protection class	Motor	\varnothing_{DM}	E	F	F1	F2	F3	Y	Y1	Y2	Y3	XW	Weight (g)	η
AM-6E-32-0100	32	IP40	MTB-010-...	8	46.5	42	-	-	-	-	-	-	-	55	165	0.78
AM-6E-32-0100P	32	IP65	MTB-010-...	8	46.5	42	-	-	-	-	-	-	-	55	165	0.78
AM-6E-32-0023	32	IP40	MTS-23-...	6.35	46.5	56.4	-	-	-	-	-	-	-	53	240	0.78
AM-6E-32-0023P	32	IP65	MTS-23-...	6.35	46.5	56.4	-	-	-	-	-	-	-	53	240	0.78
AM-6E-32-0024P	32	IP65	MTS-24-...	8	46.5	60	-	-	-	-	-	-	-	53.5	240	0.78
AM-6E-40-0400	40	IP40	MTB-040-...	14	55.4	60	-	-	-	-	-	-	-	67	290	0.78
AM-6E-40-0400P	40	IP65	MTB-040-...	14	55.4	60	-	-	-	-	-	-	-	67	290	0.78
AM-6E-40-0023	40	IP40	MTS-23-...	6.35	55.4	56.4	-	-	-	-	-	-	-	56	365	0.78
AM-6E-40-0023P	40	IP65	MTS-23-...	6.35	55.4	56.4	-	-	-	-	-	-	-	56	365	0.78
AM-6E-40-0024P	40	IP65	MTS-24-...	8	55.4	60	-	-	-	-	-	-	-	55	365	0.78
AM-6E-50-0400	50	IP40	MTB-040-...	14	64.9	60	-	-	-	-	-	-	-	73	435	0.78
AM-6E-50-0400P	50	IP65	MTB-040-...	14	64.9	60	-	-	-	-	-	-	-	73	435	0.78
AM-6E-50-0750P	50	IP65	MTB-075-...	19	64.9	80	-	-	-	-	-	-	-	86	746	0.78
AM-6E-50-0024	50	IP40	MTS-24-...	8	64.9	58	-	-	-	-	-	-	-	63	415	0.78
AM-6E-50-0024P	50	IP65	MTS-24-...	8	64.9	58	-	-	-	-	-	-	-	63	415	0.78
AM-6E-50-0034P	50	IP65	MTS-34-...	14	64.9	86	-	-	-	-	-	-	-	83	785	0.78
AM-6E-63-0750	63	IP40	MTB-075-...	19	75	80	-	-	-	-	-	-	-	90	845	0.78
AM-6E-63-0750P	63	IP65	MTB-075-...	19	75	80	-	-	-	-	-	-	-	90	845	0.78
AM-6E-63-0024	63	IP40	MTS-24-...	8	75	60.5	-	-	-	-	-	-	-	71	480	0.78
AM-6E-63-0024P	63	IP65	MTS-24-...	8	75	60.5	-	-	-	-	-	-	-	71	480	0.78
AM-6E-63-0034P	63	IP65	MTS-34-...	14	75	86	-	-	-	-	-	-	-	88	1025	0.78
AM-6E-80-1000P	80	IP65	MTB-100-...	24	93	130	15	18	49	M6	10	3.1	12	112.5	2510	0.78
AM-6E-80-0034P	80	IP65	MTS-34-...	14	93	93	15	18	49	M6	10	3.1	12	94.5	1885	0.78
AM-6E-100-1000P	100	IP65	MTB-100-...	24	115	130	15	18	62	M8	12	3.1	18	115.5	3465	0.78
AM-6E-100-0034P	100	IP65	MTS-34-...	14	115	93	15	18	62	M8	12	3.1	18	97.5	2840	0.78

Kit for axial connection Mod. AR



Supplied with:
2x flanges (1 for size 80)
8x screws
1x coupling
2x seals (1 for size 80)



SERIES 6E ELECTROMECHANICAL CYLINDERS

Mod.	Size	Protection class	Gearbox	XE+	FL	F	E	DC	LC	CC	F1	F2	F3	Y	Y1	Y2	Y3	DS	LS	Weight (g)
AR-6E-50-R060P	50	IP65	GB-060	288.2	77.2	-	64.9	40	3	52	-	-	-	-	-	-	-	14	35	630
AR-6E-63-R060P	63	IP65	GB-060	339.3	88.6	-	75	40	4	52	-	-	-	-	-	-	-	14	35	1100
AR-6E-80-R080P	80	IP65	GB-080	358	98	-	93	60	5	70	15	18	49	6	10	3.1	12	20	40	2090
AR-6E-100-R120P	100	IP65	GB-120	399.8	116.8	125	115	80	5	100	15	18	62	8	12	3.1	18	25	55	3800

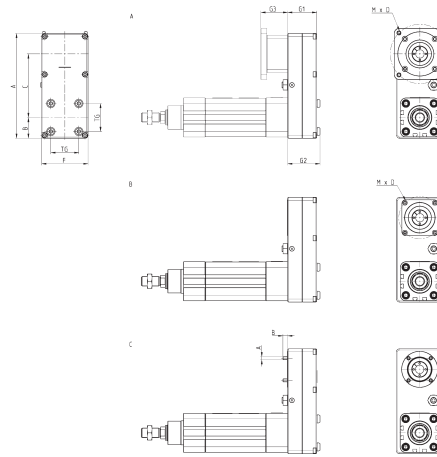
Kit for parallel connection Mod. PM



Detailed information about the size of interfaceable motors and reducers can be found further on in the dedicated sections.

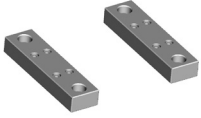
The kit includes:

- 1x front cover
- 1x rear cover
- 2x pulleys
- 2x locking sets
- 1x toothed belt
- 1x belt traction unit
- 4x screws for cylinder's side
- 4x cover rear screws
- + seal washers
- 6x cover fixing screws
- 3x seals
- 1x seal plug
- 4x motor seal washers

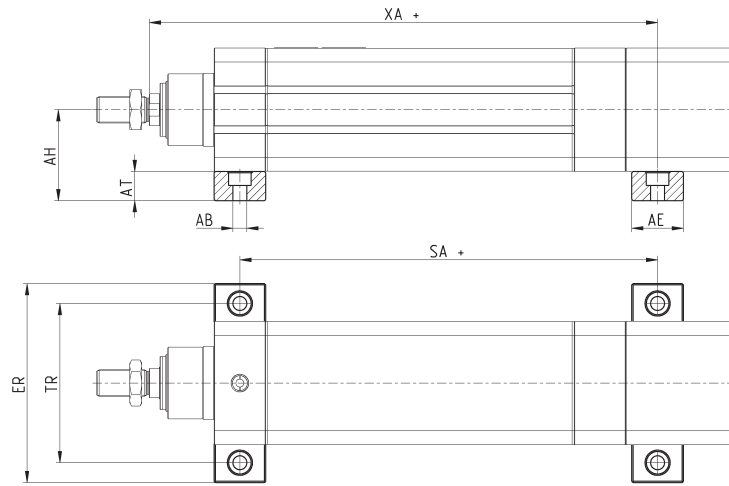


Mod.	Size	Protection class	Gearbox	Motor	G3	A	F	G1	G2	B	C	TG	Weight (g)	η
PM-6E-32-0100P	32	IP65	-	MTB-010-...	-	122	54	35	39.5	26.5	65	32.5	450	0.62
PM-6E-32-0024P	32	IP65	-	MTS-24-...	30	122	54	35	39.5	26.5	65	32.5	450	0.62
PM-6E-40-0400P	40	IP65	-	MTB-040-...	-	154	67	46	50.5	30	90	38	960	0.62
PM-6E-40-0024P	40	IP65	-	MTS-24-...	-	154	67	46	50.5	30	90	38	960	0.62
PM-6E-50-0400P	50	IP65	-	MTB-040-...	-	174	77	48	53.5	34.5	105.5	46.5	1375	0.62
PM-6E-50-0034P	50	IP65	-	MTS-34-...	44.5	174	77	48	53.5	34.5	105.5	46.5	1375	0.62
PM-6E-50-R060P	50	IP65	GB-060	MTB-040-...	-	174	77	48	53.5	34.5	105.5	46.5	1375	0.62
PM-6E-63-0750P	63	IP65	-	MTB-075-...	-	192	87	50	55.5	41	107	56.5	1675	0.62
PM-6E-63-0034P	63	IP65	-	MTS-34-...	-	192	87	50	55.5	41	107	56.5	1675	0.62
PM-6E-63-R060P	63	IP65	GB-060	MTB-040-...	-	192	87	50	55.5	41	107	56.5	1675	0.62
PM-6E-80-1000P	80	IP65	-	MTB-100-...	-	310	135	70	77	65	180	72	4457	0.62
PM-6E-80-0034P	80	IP65	-	MTS-34-...	-	310	135	70	77	65	180	72	4457	0.62
PM-6E-80-R080P	80	IP65	GB-080	MTB-075-...	-	310	135	70	77	65	180	72	4457	0.62
PM-6E-100-1000P	100	IP65	-	MTB-100-...	-	310	135	70	77	65	180	89	4457	0.62
PM-6E-100-0034P	100	IP65	-	MTS-34-...	-	310	135	70	77	65	180	89	4457	0.62
PM-6E-100-R080P	100	IP65	GB-080	MTB-075-...	-	310	135	70	77	65	180	89	4457	0.62

Cylinder bracket Mod. BA-6E



Supplied with:
2x feet
8x centring rings
8x screws



Mod.	Size	XA	AH	AT	AB	SA	ER	TR	AE	Weight (g)
BA-6E-80	80	283.85	68.5	22	10.5	215.5	150	120	39	630
BA-6E-100	100	306.85	79.5	22	10.5	234	170	140	44	800

Foot bracket Mod. B-6E

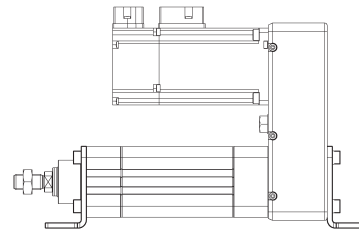
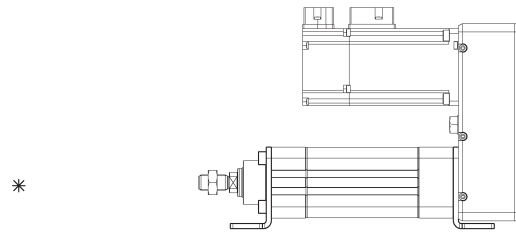
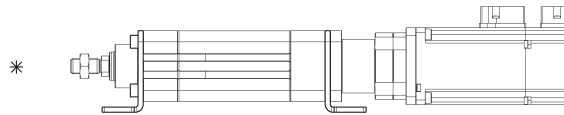
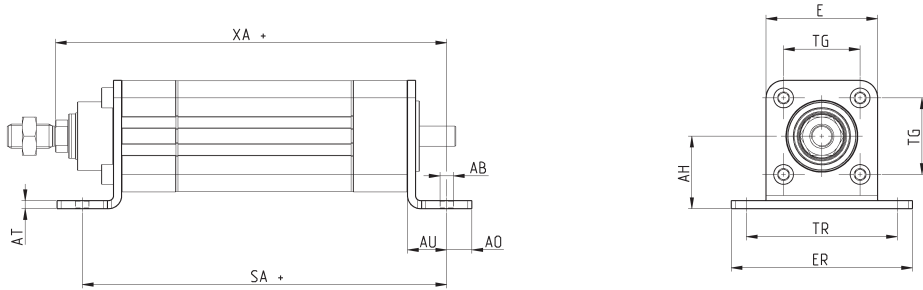


Material: zinc-plated steel

Supplied with:
2x feet
8x screws

* Mounting available for sizes 32, 40, 50 and 63 only

+ = add the stroke



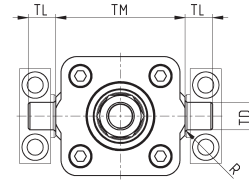
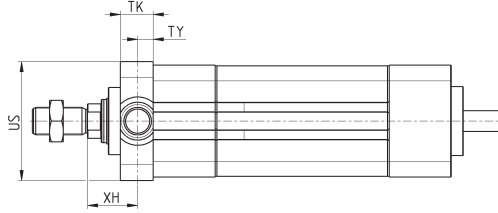
Mod.	Size	SA	XA	AH	TG	TR	AT	AU	AO	AB	ER	E	Weight (g)
B-6E-32	32	164	174.5	32	32.5	65	4	19.5	12.5	6.6	79	46.5	275
B-6E-40	40	181	194.5	36	38	75	4	19.5	12.5	6.6	90	55.4	340
B-6E-50	50	223	236	45	46.5	90	5	25	15	9	110	64.9	635
B-6E-63	63	251	267.5	50	56.5	100	5	25	15	9	120	75	755
B-6E-80	80	278	293.5	68.5	72	120	6	33.5	17.5	10.5	140	93	1300
B-6E-100	100	299	316.5	79.5	89	140	6	33.5	17.5	10.5	170	115	1800

Front spot faced trunnion Mod. FN

Material: zinc-plated steel



Supplied with:
1x spot faced trunnion
4x screws



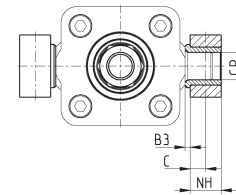
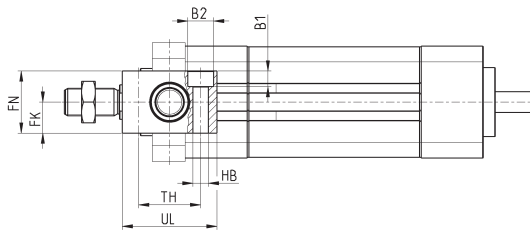
Mod.	∅	TK	TY	XH	US	TL	TM	∅TD	R	torque force
FN-32	32	14	6.5	23.5	46	12	50	12	1	5 Nm
FN-40	40	19	9	24	59	16	63	16	1.5	5 Nm
FN-50	50	19	9	29	69	16	75	16	1.6	10 Nm
FN-63	63	24	11.5	30.5	84	20	90	20	1.6	10 Nm
FN-80	80	24	11.5	34.5	102	20	110	20	1.6	15 Nm
FN-100	100	29	14	37	125	25	132	25	2	15 Nm

Counter bracket for front trunnion Mod. BF

Material: aluminium



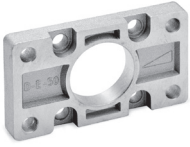
Supplied with:
2x supports



Mod.	∅	∅CR	NH	C	B3	TH	UL	FK	FN	B1	B2	HB
BF-32	32	12	15	7.5	3	32	46	15	30	6.8	11	6.6
BF-40-50	40 - 50	16	18	9	3	36	55	18	36	9	15	9
BF-63-80	63 - 80	20	20	10	3	42	65	20	40	11	18	11
BF-100-125	100 - 125	25	25	12.5	3.5	50	75	25	50	13	20	14

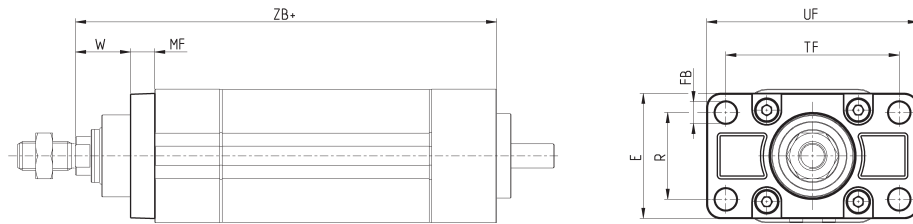
Front flange Mod. D-E

Material: aluminium



Supplied with:
1x flange
4x screws

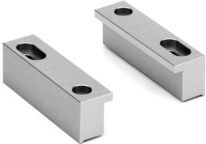
+ = add the stroke



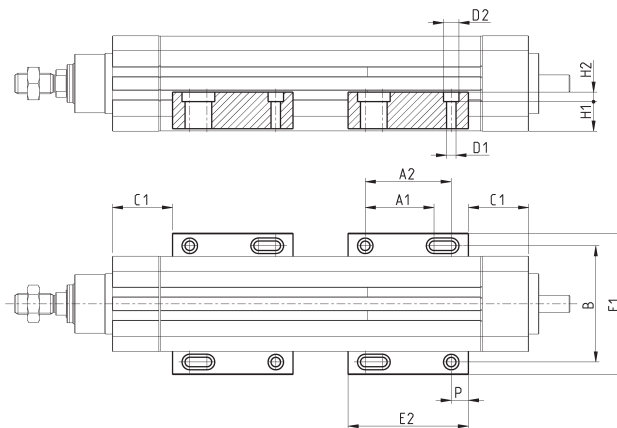
Mod.	Size	W	MF	ZB+	TF	R	UF	E	FB	torque force
D-E-41-32	32	20	10	155	64	32	86	45	7	6 Nm
D-E-41-40	40	23	10	175	72	36	88	52	9	6 Nm
D-E-41-50	50	26.5	12	211	90	43	110	63	9	13 Nm
D-E-41-63	63	30	12	242.5	100	50	116	73	9	13 Nm
D-E-41-80	80	30	16	260	126	63	148	95	12	15 Nm
D-E-41-100	100	35	16	283	150	75	176	115	14	15 Nm

Side clamping bracket Mod. BG

Material: aluminium



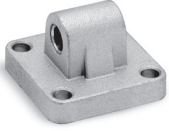
Supplied with:
2x clamps



Mod.	Size	C1	E1	E2	P	A1	A2	B	Screw	øD1	øD2	H1	H2	Weight (g)
BG-6E-32	32	35	71	70	10	40	50	58.5	M4	4.5	7.5	13.5	4.5	80
BG-6E-40	40	35	82	70	10	40	50	67.5	M5	5.5	9	16.9	5.5	105
BG-6E-50	50	35	93	70	10	40	50	76.5	M6	6.5	10.5	19.4	6.5	125
BG-6E-63	63	35	103.5	70	10	40	50	87	M6	6.5	10.5	18.9	6.5	125
BG-6E-80	80	45	131	90	17.5	50	60	111.6	M8	8.5	14	22.5	8.5	260
BG-6E-100	100	50	153	90	17.5	50	60	133.6	M8	8.5	14	28	8.5	300

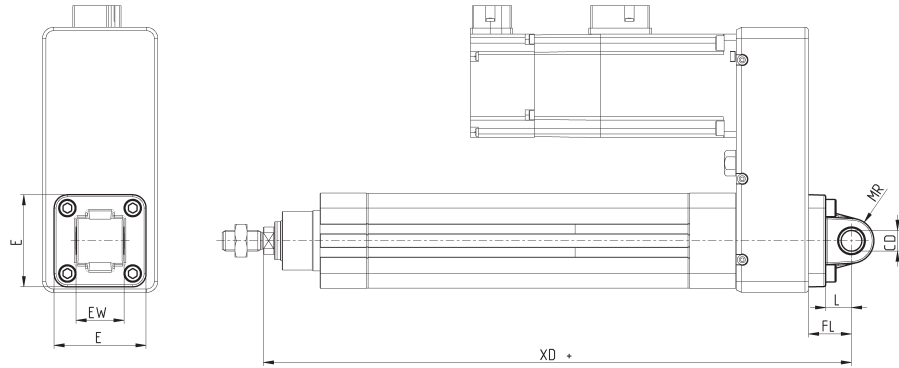
Rear male trunnion Mod. L

Material: aluminium



Supplied with:
1x male trunnion
4x screws

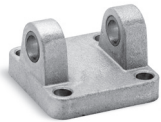
+ = add the stroke



Mod.	Size	\varnothing CD	L	FL	XD+	MR	E	EW	torque force
L-41-32	32	10	12	22	212	10	45	26	6 Nm
L-41-40	40	12	15	25	246	13	53.5	28	6 Nm
L-41-50	50	12	15	27	286	13	62.5	32	13 Nm
L-41-63	63	16	20	32	324.5	17	73	40	13 Nm
L-41-80	80	16	24	36	373	17	92	50	15 Nm
L-41-100	100	20	29	41	401	21	108.5	60	15 Nm

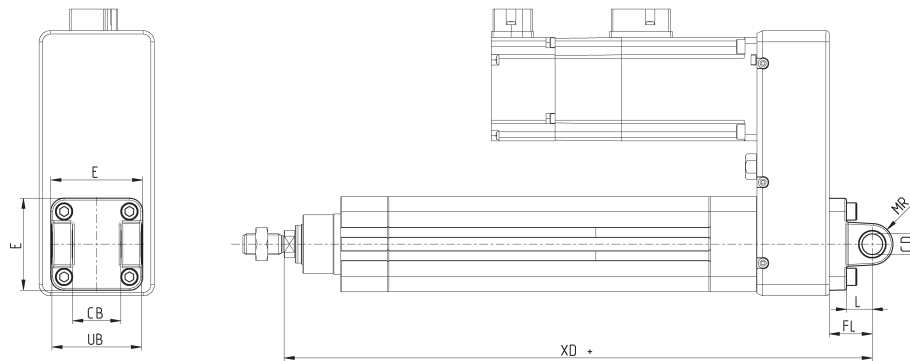
Rear female trunnion Mod. C and C-H

Material: aluminium



Supplied with:
1x female trunnion
4x screws

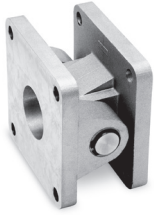
+ = add the stroke



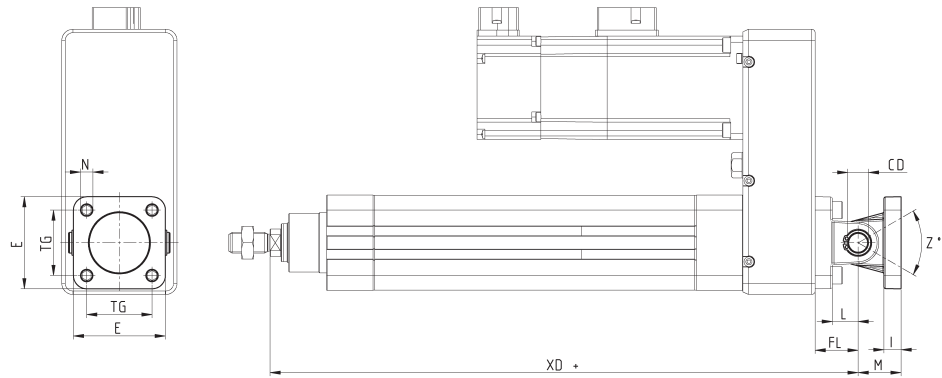
Mod.	Size	\varnothing CD	L	FL	XD+	MR	E	CB	UB	torque force
C-41-32	32	10	12	22	212	10	45	26	45	6 Nm
C-41-40	40	12	15	25	246	12	53.5	28	52	6 Nm
C-41-50	50	12	15	27	286	13	62.5	32	60	13 Nm
C-H-41-63	63	16	20	32	324.5	17	73	40	70	13 Nm
C-H-41-80	80	16	24	36	373	17	92	50	90	15 Nm
C-H-41-100	100	20	29	41	401	21	108.5	60	110	15 Nm

Accessory combination Mod. C+L+S

Material: aluminium



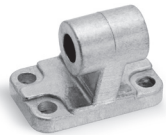
+ = add the stroke



Mod.	Size	E	TG	$\varnothing N$	XD+	$\varnothing CD$	L	FL	I	M	Z' (max)	torque force
C+L+S	32	45	32.5	6.5	142	10	12	22	10	22	30	6 Nm
C+L+S	40	53.5	38	6.5	160	12	15	25	10	25	40	6 Nm
C+L+S	50	62.5	46.5	9	170	12	15	27	12	27	25	13 Nm
C+L+S	63	73	56.5	9	190	16	20	32	12	32	36	13 Nm
C+L+S	80	92	72	11	373	16	24	36	12	36	34	15 Nm
C+L+S	100	108.5	89	11	401	20	29	41	12	41	38	15 Nm

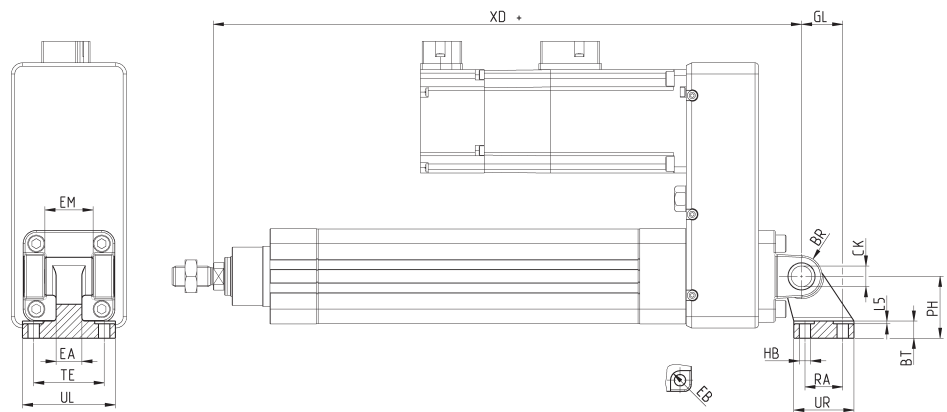
90° male trunnion Mod. ZC

CETOP RP 107P
Material: aluminium



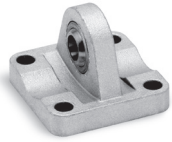
Supplied with:
1x male support

+ = add the stroke



Mod.	Size	$\varnothing EB$	$\varnothing CK$	$\varnothing HB$	XD+	TE	UL	EA	GL	L5	RA	EM	UR	PH	BT	BR
ZC-32	32	11	10	6.6	212	38	51	10	21	1.6	18	26	31	32	8	10
ZC-40	40	11	12	6.6	246	41	54	15	24	1.6	22	28	35	36	10	11
ZC-50	50	15	12	9	286	50	65	16	33	1.6	30	32	45	45	12	13
ZC-63	63	15	16	9	324.5	52	67	16	37	1.6	35	40	50	50	14	15
ZC-80	80	18	16	11	373	66	86	20	47	2.5	40	50	60	63	14	15
ZC-100	100	18	20	11	401	76	96	20	55	2.5	50	60	70	71	17	19

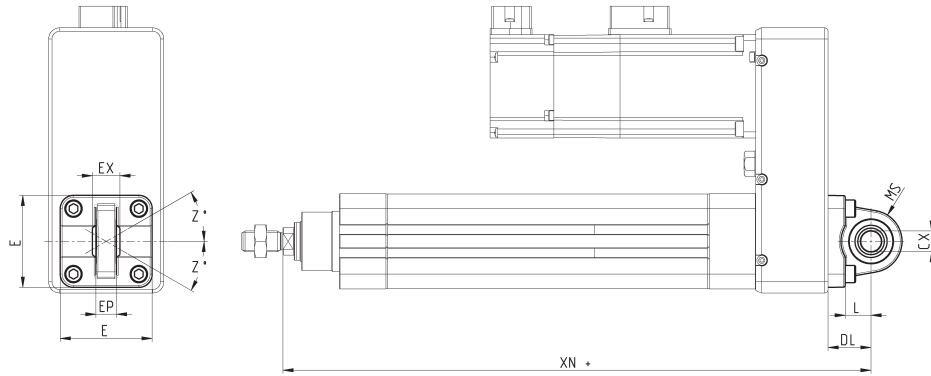
Trunnion ball-joint Mod. R



This trunnion doesn't comply with the ISO 15552 standard
Material: aluminium

Supplied with:
1x trunnion ball joint
4x screws

+ = add the stroke

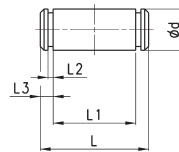


Mod.	Size	\varnothing CX	L	DL	XN+	MS	E	EX	RP	Z	torque force
R-41-32	32	10	12	22	212	18	45	14	10.5	4°	6 Nm
R-41-40	40	12	15	25	246	18	53.5	16	12	4°	6 Nm
R-41-50	50	12	15	27	286	21	62.5	16	12	4°	13 Nm
R-41-63	63	16	20	32	324.5	23	73	21	15	4°	13 Nm
R-41-80	80	16	24	36	373	28	92	21	15	4°	15 Nm
R-41-100	100	20	29	41	401	30	108.5	25	18	4°	15 Nm

Clevis pin Mod. S



Supplied with:
1x clevis pin in
stainless steel 303
2x Seeger in steel

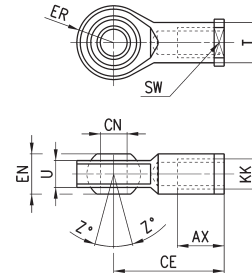


Mod.	Size	\varnothing d	L	L1	L2	L3
S-32	32	10	52	46	1.1	3
S-40	40	12	59	53	1.1	3
S-50	50	12	67	61	1.1	3
S-63	63	16	77	71	1.1	3
S-80	80	16	97	91	1.1	3
S-100	100	20	121	111	1.3	5

Swivel ball joint Mod. GA



ISO 8139.
Material: zinc-plated steel

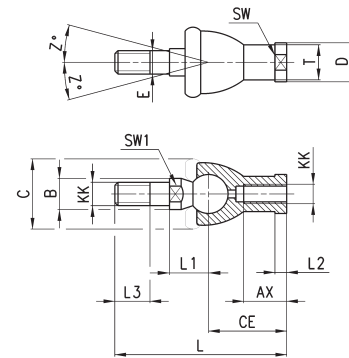


Mod.	\varnothing CN ^(H7)	U	EN	ER	AX	CE	KK	\varnothing T	Z	SW
GA-32	10	10,5	14	14	20	43	M10X1,25	15	6,5	17
GA-40	12	12	16	16	22	50	M12X1,25	17,5	6,5	19
GA-50-63	16	15	21	21	28	64	M16X1,5	22	7,5	22
GA-80-100	20	18	25	25	33	77	M20x1,5	27,5	7	30

Piston rod socket joint Mod. GY

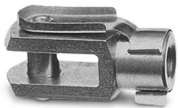


Material: zama and zinc-plated steel

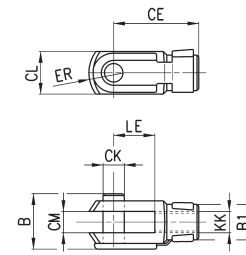


Mod.	Size	KK	AX	CE	E	L	L1	L2	L3	SW	SW1	\varnothing B	\varnothing C	\varnothing D	\varnothing T	Z
GY-32	32	M10X1.25	18	35	10	74	19.5	6.5	15	17	11	14	28	19	15	15
GY-40	40	M12X1.25	20	40	12	84	21	6.5	17	19	17	19	32	22	17.5	15
GY-50-63	50-63	M16X1.5	27	50	16	112	27.5	8	23	22	19	22	40	27	22	11
GY-80-100	80-100	M20x1.5	38	63	20	133	31.5	10	25	30	24	27	45	34	27.5	7.5

Rod fork end Mod. G



ISO 8140
Material: zinc-plated steel

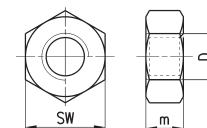


Mod.	\varnothing CK	LE	CM	CL	ER	CE	KK	B	\varnothing B1
G-25-32	10	20	10	20	12	40	M10 X 1.25	26	18
G-40	12	24	12	24	14	48	M12 X 1.25	32	20
G-50-63	16	32	16	32	19	64	M16 X 1.5	40	26
G-80-100	20	40	20	40	25	80	M20 X 1.5	48	34

Piston rod lock nut Mod. U



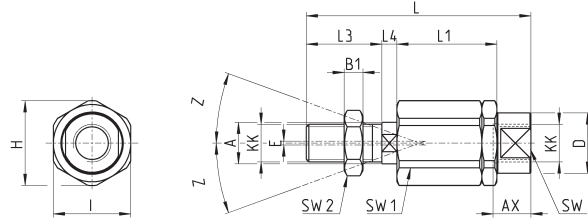
ISO 4035
Material: zinc-plated steel



Mod.	D	m	SW
U-25-32	M10X1.25	6	17
U-40	M12X1.25	7	19
U-50-63	M16X1.5	8	24
U-80-100	M20x1.5	9	30

Self aligning rod Mod. GK

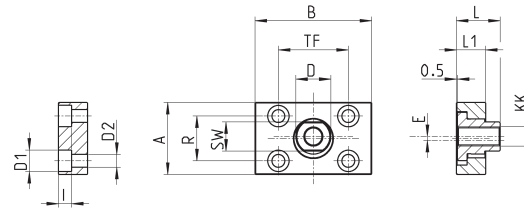
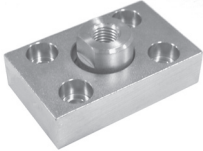
Material: zinc-plated steel



Mod.	Size	KK	L	L1	L3	L4	ϕA	ϕD	H	I	SW	SW1	SW2	B1	AX	Z	E
GK-25-32	32	M10x1.25	71.5	35	20	7.5	14	22	32	30	19	12	17	5	22	4	2
GK-40	40	M12x1.25	75.5	35	24	7.5	14	22	32	30	19	12	19	6	22	4	2
GK-50-63	50-63	M16x1.5	104	53	32	10	22	32	45	41	27	20	24	8	30	3	2
GK-80-100	80-100	M20x1.5	119	53	40	10	22	32	45	41	27	20	30	10	37	3	2

Coupling piece Mod. GKF

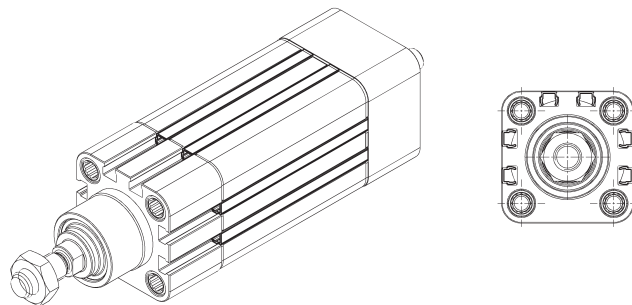
Material: zinc-plated steel



Mod.	Size	KK	A	B	R	TF	L	L1	I	ϕD	$\phi D1$	$\phi D2$	SW	E
GKF-25-32	32	M10x1.25	37	60	23	36	22.5	15	6.8	18	11	6.6	15	2
GKF-40	40	M12x1.25	56	60	38	42	22.5	15	9	20	15	9	15	2.5
GKF-50-63	50-63	M16x1.5	80	80	58	58	26.5	15	10.5	25	18	11	22	2.5
GKF-80-100	80-100	M20x1.5	90	90	65	65	32.5	20	13	30.5	20	14	27	2.5

Slot cover profile Mod. S-CST-500

Supplied with 500 mm tube



Mod.
S-CST-500

Series 5E electromechanical axis

Sizes 50, 65, 80

Available versions: standard axis, support axis, reinforced axis



Series 5E axes are mechanical linear actuators in which the rotary movement generated by a motor is converted into a linear movement by means of a toothed belt.

The Series 5E, available in 3 sizes, 50, 65 and 80, is realized by means of a special self-supporting square profile, in which the components have been completely integrated, assuring compactness and light weight.

The presence of a recirculating ball guide grants high stiffness and resistance to external loads.

To protect the internal elements from potential contaminants from the external environment, the profile has been closed with a stainless steel plate. The axis is equipped with a magnet that makes it possible to use external proximity switches (Series CSH), allowing operations like homing or extra-stroke readings to be performed. Moreover, these actuators also have accessories in order to be used with inductive sensors. The Series 5E is equipped with specific interface kits making it possible to connect the motor on 4 sides. The use with high dynamics and the possibility to realize multi-axis systems, make the Series 5E particularly suitable for the packaging and assembly sectors.

- » Multiposition system with transmission of the movement with toothed belt
- » Suitable for high dynamics
- » Possibility to connect the motor on 4 sides
- » Large range of motor interfaces
- » Possibility to use magnetic proximity switches and/or inductive sensors
- » IP 40
- » Max stroke 6 meters
- » Plates to realize multi-axis systems
- » Presence of internal channels for re-lubrication
- » Large range of axis mounting accessories
- » Sliders available: standard, long, double

GENERAL DATA

Construction	electromechanical axis with toothed belt
Design	open profile with protection plate
Operation	multi-position actuator
Sizes	50, 65, 80
Strokes	50 ÷ 4000 mm for size 50; 50 ÷ 6000 mm for sizes 65 and 80
Type of guide	internal, with recirculating balls (cage type)
Fixing	by means of slots on the profile and special clamps
Mounting motor	on all 4 sides
Operating temperature	-10°C ÷ +50°C
Storage temperature	-20°C ÷ +80°C
Protection class	IP 40 (available for versions A and D only)
Lubrication	centralized lubrication by means of internal channels
Repeatability	± 0.05 mm
Duty cycle	100%
Use with external sensors	Series CSH magnetic switches in special slots or inductives by means of supports

CODING EXAMPLE

5E	S	050	TBL	0200	A	S	2(500)
-----------	----------	------------	------------	-------------	----------	----------	---------------

5E	SERIES
S	PROFILE: S = square section
050	FRAME SIZE: 050 = 50x50 mm 065 = 65x65 mm 080 = 80x80 mm
TBL	TRANSMISSION: TBL = toothed belt
0200	STROKE [C]: 0050 ÷ 4000 mm for size 050 0050 ÷ 6000 mm for sizes 065 and 080
A	VERSIONS: A = standard axis D = support axis H = reinforced axis (for sizes 65 and 80 only)
S	TYPE OF SLIDER: S = standard L = long - only for standard axis (A version)
2(500)	NUMBER OF SLIDERS: 1 = 1 slider 2(____) = 2 sliders at (____) mm step - only for standard axis (A) with standard slider (S)

SERIES 5E ELECTROMECHANICAL AXIS

MECHANICAL CHARACTERISTICS

^(A) Value refers to a covered distance of 2000 Km with fully supported system.

^(B) The "suggested" speed is not the mechanical limit of the unit but represents the best compromise between high load applied and high dynamics. In case of particular requirements, please contact our technical assistance (service@camozzi.com).

	Size 50	Size 50	Size 50	Size 65	Size 65	Size 65	Size 65	Size 65	Size 80	Size 80	Size 80	Size 80
RECIRCULATING BALL GUIDE (CAGE TYPE)												
Version	A	A	D	A	A	D	H	A	A	D	D	H
Type of slider	S	L	S	S	L	S	S	S	L	S	S	S
Number of guides	1	1	1	1	1	1	2	1	1	1	1	2
Number of RDS blocks	pcs 2	3	2	2	3	2	4	2	3	2	2	4
Dynamic load of RDS blocks (C)	N 11640	17460	11640	28400	42600	28400	56800	44600	66900	44600	89200	89200
Max admissible load (C _{max,z} , C _{max,v})	N 3100 ^(A)	5100 ^(A)	3100 ^(A)	8300 ^(A)	12450 ^(A)	8300 ^(A)	16600 ^(A)	13100 ^(A)	19600 ^(A)	13100 ^(A)	26080 ^(A)	26080 ^(A)
Max admissible moment (M _{max,x})	Nm 22.44	31.23	22.44	96.00	144.00	96.00	380 ^(A)	216.60	324.9	216.6	740 ^(A)	740 ^(A)
Max admissible moment (M _{max,y} , M _{max,z})	Nm 45.30	96.76	45.3	269.40	612.64	269.4	530 ^(A)	525.00	1193.17	525.00	1200 ^(A)	1200 ^(A)
Max linear speed of mechanics (V _{max})	m/s 5	2.5 ^(B)	5	5	2.5 ^(B)	5	2.5 ^(B)	5	2.5 ^(B)	5	2.5 ^(B)	2.5 ^(B)
Max linear acceleration of mechanics (a _{max})	m/s ² 50	20 ^(B)	50	50	20 ^(B)	50	20 ^(B)	50	20 ^(B)	50	20 ^(B)	20 ^(B)
PROFILE												
Moment of surface inertia I _y	mm ⁴ 1.89 · 10 ⁵	1.89 · 10 ⁵	1.89 · 10 ⁵	4.94 · 10 ⁵	4.94 · 10 ⁵	4.94 · 10 ⁵	4.94 · 10 ⁵	1.23 · 10 ⁶	1.23 · 10 ⁶	1.23 · 10 ⁶	1.23 · 10 ⁶	1.23 · 10 ⁶
Moment of surface inertia I _z	mm ⁴ 2.48 · 10 ⁵	2.48 · 10 ⁵	2.48 · 10 ⁵	6.97 · 10 ⁵	6.97 · 10 ⁵	6.97 · 10 ⁵	6.97 · 10 ⁵	1.68 · 10 ⁶	1.68 · 10 ⁶	1.68 · 10 ⁶	1.68 · 10 ⁶	1.68 · 10 ⁶
TOOTHED BELT												
Type	20 AT 5 HP	20 AT 5 HP	-	32 AT 5 HP	32 AT 5 HP	-	32 AT 5 HP	32 AT 5 HP	32 AT 5 HP	32 AT 5 HP	-	32 AT 5 HP
Pitch	mm 5	5	-	5	5	-	5	10	10	10	-	10
Max transmittable load	N See the diagram	See the diagram	-	See the diagram	See the diagram	-	See the diagram	See the diagram	See the diagram	See the diagram	-	See the diagram
PULLEY												
Effective diameter of the pulley	mm 31.83	31.83	-	47.75	47.75	-	47.75	63.66	63.66	63.66	-	63.66
Number of teeth	z 20	20	-	30	30	-	30	20	20	20	-	20
Linear movement per pulley round	mm/round 100	100	-	150	150	-	150	200	200	200	-	200

NOTES:

1. Check the nominal admissible torque of the used motion transmission devices.
2. Details about directions of loads and moments can be found in the "EQUIVALENT LOAD" section.

SERIES 5E STROKE

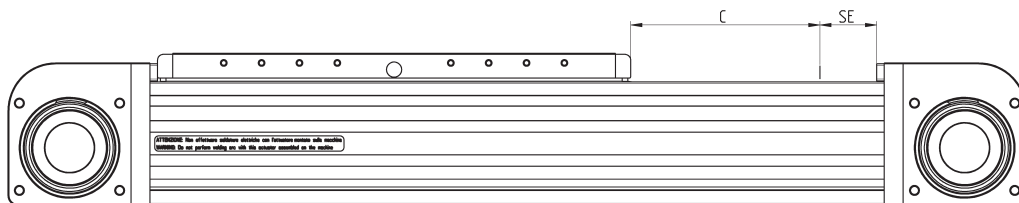
LEGEND:

C = Stroke

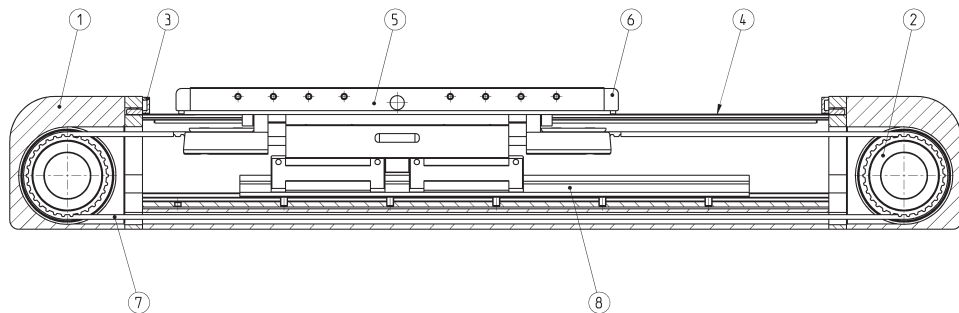
SE = Standard extra-stroke [5ES050.. = 30mm]
 [5ES065.. = 30mm]
 [5ES080.. = 30mm]

NOTES:

- Should an additional extra-stroke be required, it must be foreseen by the client.
- The slider should never work in stop on the header.



SERIES 5E MATERIALS



COMPONENTS	MATERIALS
1. End cap	Aluminium alloy
2. Pulley	Steel
3. End cap bumper	Technopolymer
4. Protection plate	Steel
5. Slider	Aluminium alloy
6. Bumper	Technopolymer
7. Toothed belt	PU + Steel
8. Recirculating ball guide	Steel

How to calculate the life of the axis 5E

The correct dimensioning of the axis 5E, used individually or in a cartesian system with several axes, you need to consider some facts, both static and dynamic. Among these, the most important are described on the following pages.

CALCULATION OF LIFE [km]

$$L_{eq} = \left(\frac{C_{ma}}{C_{eq} \cdot f_w} \right)^3 \cdot 2000$$

- L_{eq} = Life of the axis 5E [km]
- C_{ma} = Maximum admissible load [N]
- C_{eq} = Equivalent load [N]
- f_w = safety coefficient according to the working conditions

CALCULATION OF EQUIVALENT LOAD

$$C_{eq} = |F_y| + |F_z| + C_{ma} \cdot \left| \frac{M_x}{M_{x,ma}} \right| + C_{ma} \cdot \left| \frac{M_y}{M_{y,ma}} \right| + C_{ma} \cdot \left| \frac{M_z}{M_{z,ma}} \right|$$

When compression/traction and side loads as well as bending or torque moments act on the system, you need to calculate the equivalent load acting on the system.

- C_{eq} = Equivalent load [N]
- F_y = Force acting along the Y-axis [N]
- F_z = Force acting along the Z-axis [N]
- C_{ma} = Max admissible load [N]
- M_x = Moment along X-axis [Nm]
- M_y = Moment along Y-axis [Nm]
- M_z = Moment along Z-axis [Nm]
- $M_{(x,ma)}$ = Max admissible moment along X-axis [Nm]
- $M_{(y,ma)}$ = Max admissible moment along Y-axis [Nm]
- $M_{(z,ma)}$ = Max admissible moment along Z-axis [Nm]

How to calculate max deflection and verify distance between supports

The electromechanical axis 5E is a self-supporting system and can also be used between 2 or more supports without the need of a continuous contact surface.
The maximum value of the deflection generated by the deformation of the system must never exceed the following calculation:

- f_{max} = Maximum admissible deflection [mm]
- C_{max} = Maximum stroke of axis 5E [mm]

$$f_{max} = C_{max} \cdot 5 \cdot 10^{-4}$$

NOTE: for a quicker choice, please see the graphs on the following pages.

APPLICATION	ACCELERATION [m/s ²]	SPEED [m/s]	DUTY CYCLE	f_w
light	< 10	< 1.5	< 35%	1 ÷ 1.25
normal	10 ÷ 25	1.5 ÷ 2.5	35% ÷ 65%	1.25 ÷ 1.5
heavy	> 25	> 2.5	> 65%	1.5 ÷ 3

HOW TO CALCULATE THE DRIVING TORQUE [Nm]

F_A = Total force acting from outside [N]
 F_E = Force to be applied externally [N]
 g = Gravitational acceleration [9.81 m/s²]
 m_E = Mass of the body to move [kg]
 D_P = Pulley pitch diameter [mm]
 C_{M1} = Driving torque due to external agents [Nm]

$$C_{TOT} = C_{M1} + C_{M2} + C_{M3}$$

$$F_A = F_E + m_E \cdot a$$

$$C_{M1} = \frac{F_A \cdot D_P}{2}$$

J_{TOT} = Moment of inertia of rotating components [kg·m²]
 $\dot{\omega}$ = Angular acceleration [rad/s²]
 a = Axis linear acceleration [m/s²]
 C_{M2} = Driving torque due to rotating components [Nm]

$$\dot{\omega} = \frac{2 \cdot a}{D_P}$$

$$C_{M2} = J_{TOT} \cdot \dot{\omega}$$

F_{TT} = Force needed to move translating components [N]
 F_{TF} = Force needed to move fixed-length translating components [N]
 F_{TV} = Force needed to move variable-length translating components [N]
 m_{c1} = Mass of fixed-length translating components [kg]
 K_{TV} = Mass coefficient of variable-length translating components [kg/mm]
 C_{M3} = Driving torque due to translating components [Nm]

$$F_{TT} = F_{TF} + F_{TV}$$

$$F_{TF} = m_{c1} \cdot a$$

$$F_{TV} = K_{TV} \cdot C \cdot a$$

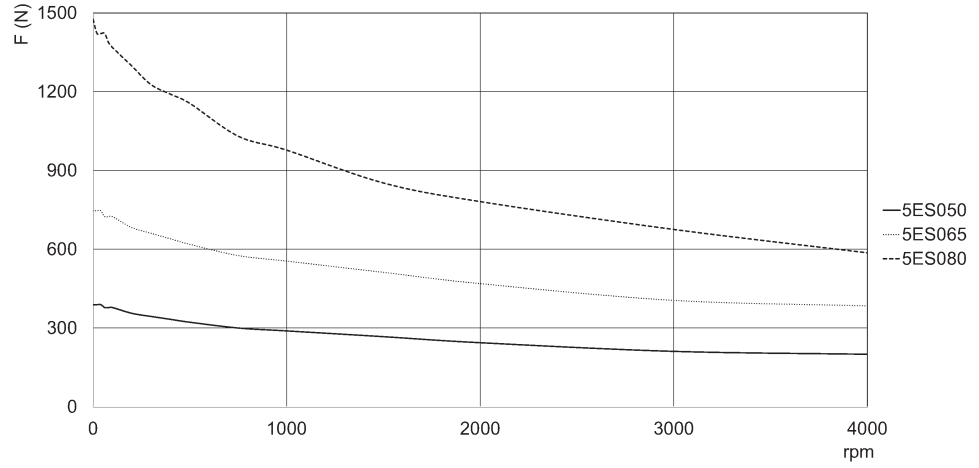
$$C_{M3} = \frac{F_{TT} \cdot D_P}{2}$$

Values of masses and fixed and rotating inertia moments of 5E components

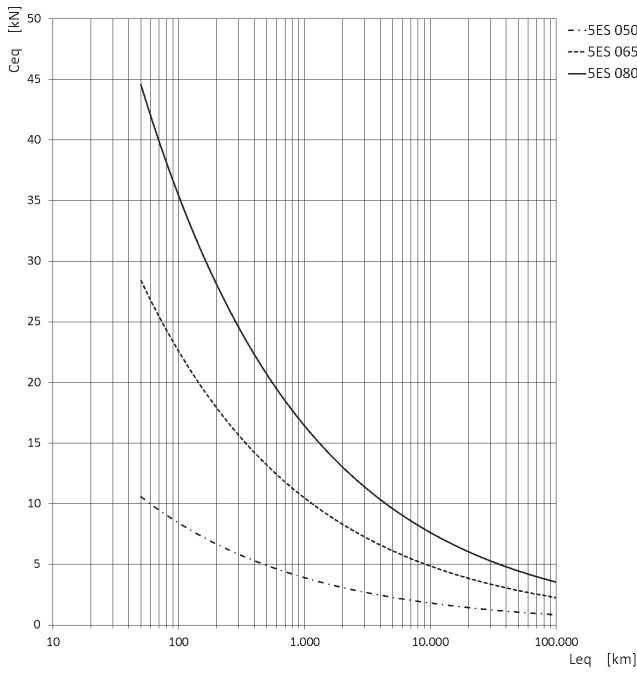
Mod.	J_{TOT} [Kg·mm ²]	m_{c1} [kg]	K_{TV} [Kg·m]
5E050...AS1	48.76	0.51	0.14
5E050...AL1	48.76	0.80	0.14
5E050...AS2	48.76	1.01	0.14
5E050...DS1	0.00	0.40	0.00
5E065...AS1	372.07	1.27	0.21
5E065...AL1	372.07	1.83	0.21
5E065...AS2	372.07	2.53	0.21
5E065...DS1	0.00	1.01	0.00
5E065...HS1	372.07	2.84	0.21
5E080...AS1	1130.28	2.69	0.34
5E080...AL1	1130.28	3.84	0.34
5E080...AS2	1130.28	5.38	0.34
5E080...DS1	0.00	2.15	0.00
5E080...HS1	1130.28	5.61	0.34

TRANSMISSIBLE FORCE

According to axis size and speeds chosen, force that can be transmitted from the toothed belt has these limits.

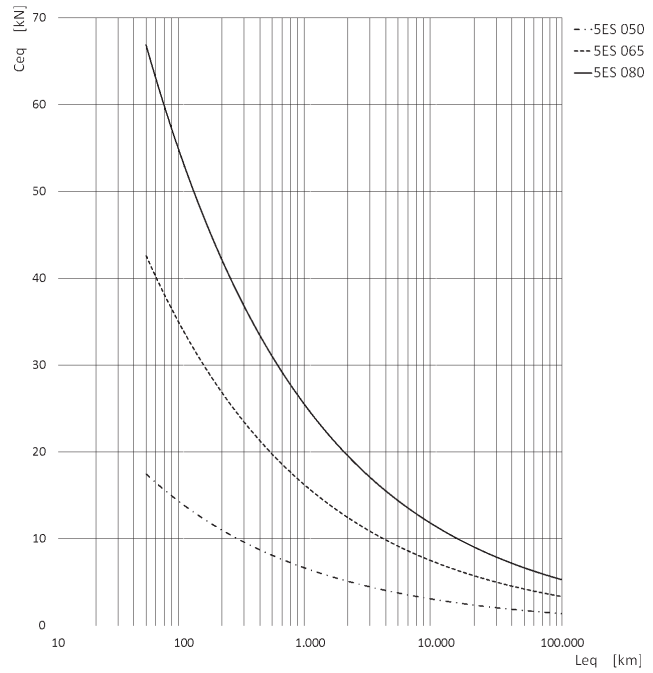


LIFE OF THE SERIES 5E AXIS ACCORDING TO THE EQUIVALENT LOAD



TYPE OF SLIDER: S

Curves calculated with $f_w = 1$
 Ceq = Equivalent load applied on the axis 5E [kN]
 Leq = Life of the axis 5E [km]



TYPE OF SLIDER: L

Curves calculated with $f_w = 1$
 Ceq = Equivalent load applied on the axis 5E [kN]
 Leq = Life of the axis 5E [km]

EQUIVALENT LOAD

To determine the moment acting on the axis x, M_x , in an accurate way, refer to the following formula:

$$M_x = F_y \cdot (h + h_1)$$

where:

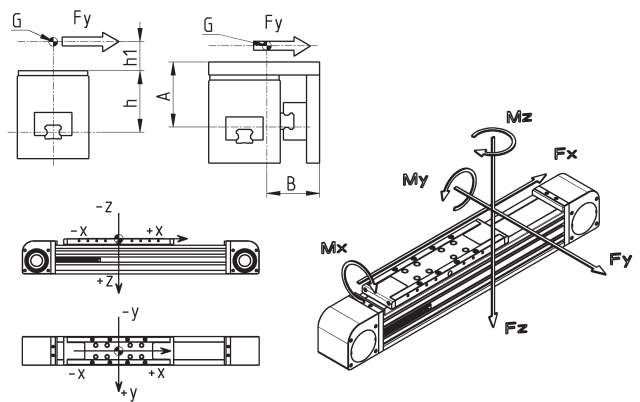
- M_x = Moment along X-axis [Nm]
- F_y = Force acting along the Y-axis [N]
- h = fixed distance for axis 5E [mm]
- h_1 = application arm [mm]
- G_1 = origin of the system of 5E axis coordinates
- G_2 = barycentre of application of acting forces

NOTE: here below, valid for A version, the "h" values:

- $h = 45.5$ mm (5ES050)
- $h = 56.0$ mm (5ES065)
- $h = 69.5$ mm (5ES080)

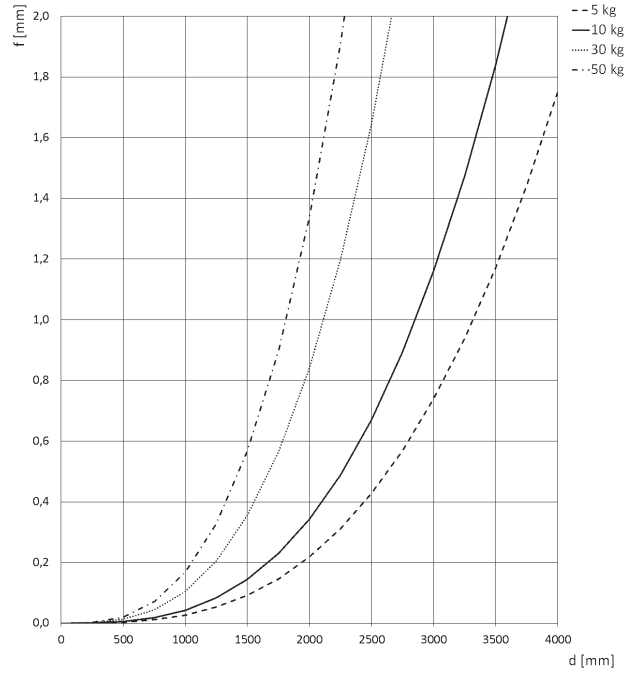
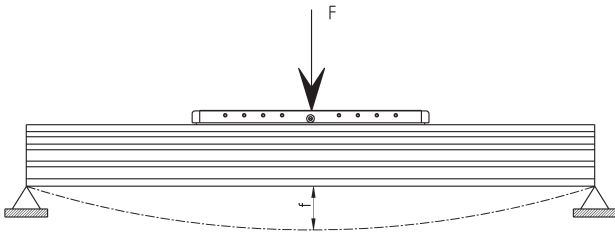
Valid for H version, "A" and "B" version:

- "A" = 56.0 mm "B" 32.9 mm (5ES050)
- "A" = 57.0 mm "B" 45.0 mm (5ES065)
- "A" = 71.6 mm "B" 51.6 mm (5ES080)



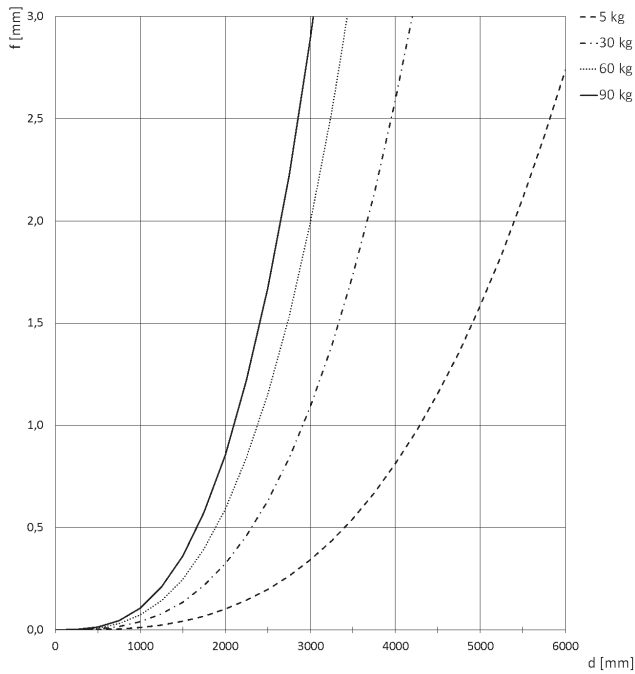
Deflection according to the distance of the supports - A version

SERIES 5E ELECTROMECHANICAL AXIS



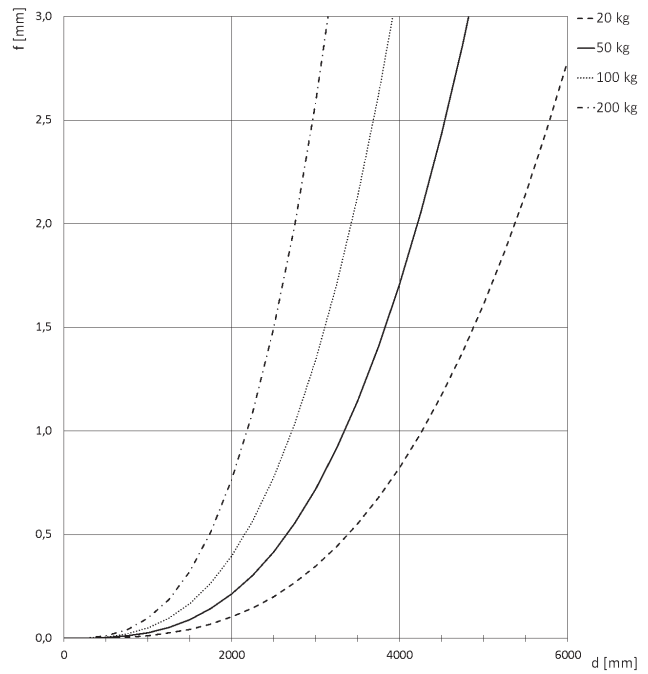
Size 050

f = deflection generated between the supports [mm]
d = distance between the supports [mm]



Size 065

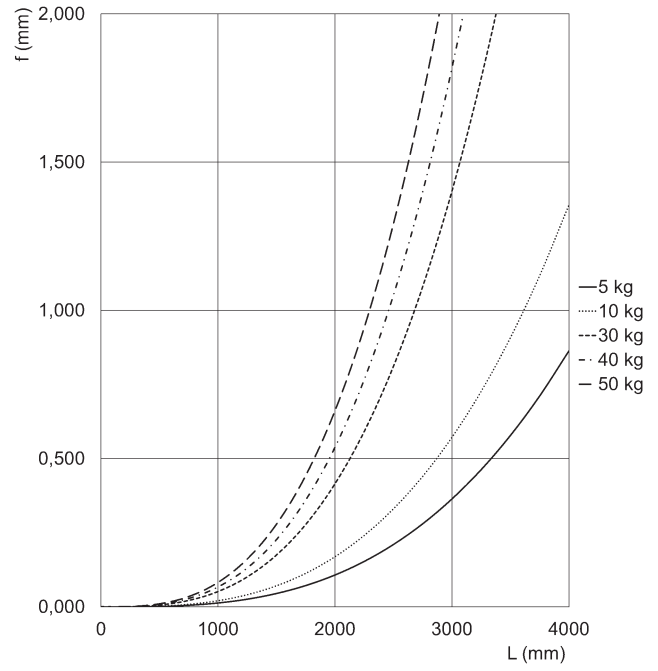
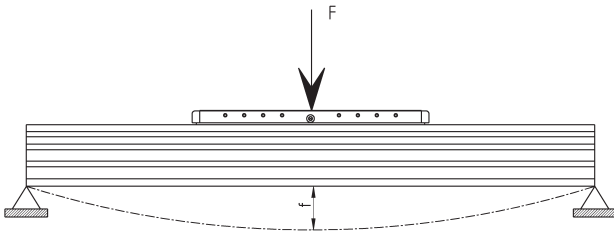
f = deflection generated between the supports [mm]
d = distance between the supports [mm]



Size 080

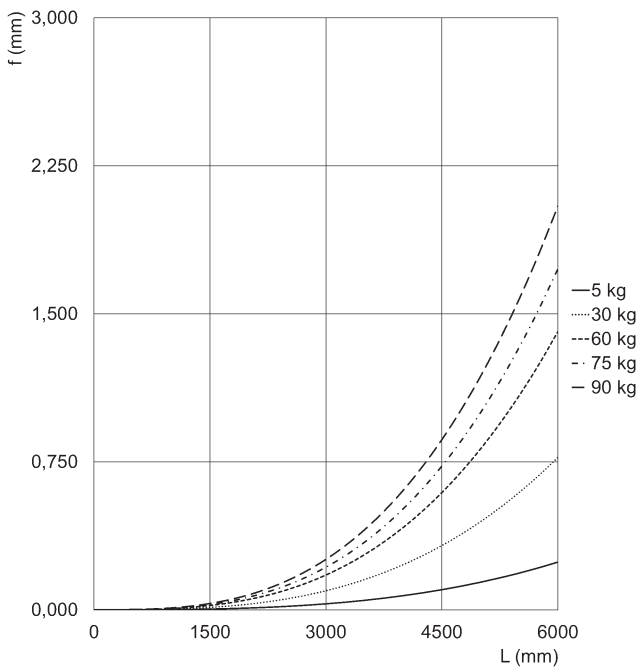
f = deflection generated between the supports [mm]
d = distance between the supports [mm]

Deflection according to the distance of the supports - H version



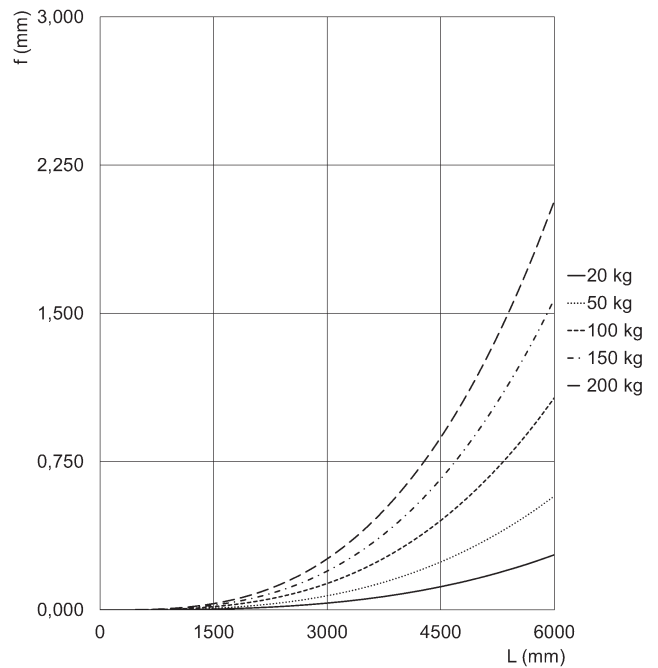
Size 050

f = deflection generated between the supports [mm]
 d = distance between the supports [mm]



Size 065

f = deflection generated between the supports [mm]
 d = distance between the supports [mm]



Size 080

f = deflection generated between the supports [mm]
 d = distance between the supports [mm]

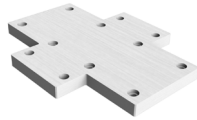
ACCESSORIES FOR SERIES 5E



Side clamping bracket
Mod. BGS



Perforated side clamping
bracket Mod. BGA



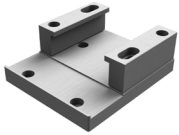
Interface plate - slider on
slider



Interface plate - profile
on slider



Interface plate - profile on
slider - long arm



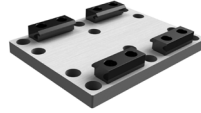
Interface plate - Series 6E
cylinder on slider



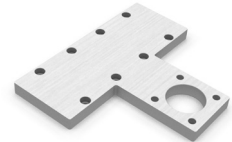
Interface plate - profile
side on slider, left pos.



Interf. plate - profile side
on slider, right pos.



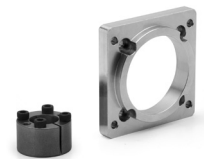
Fixed interface plate



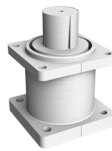
Interface plate -
Guide S. 45 / Cyl. S. 6E



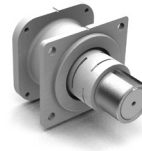
Kit to fix the inductive
sensor



Kit to connect the
gearbox GB Mod. FR



Kit to connect the
gearbox, enhanced series



Direct connection kit for
Stepper motor



Parallel connection kit



Nuts for slots



5E/5V connection flange



Centering ring
Mod. TR-CG



All accessories are supplied separately from the axis.

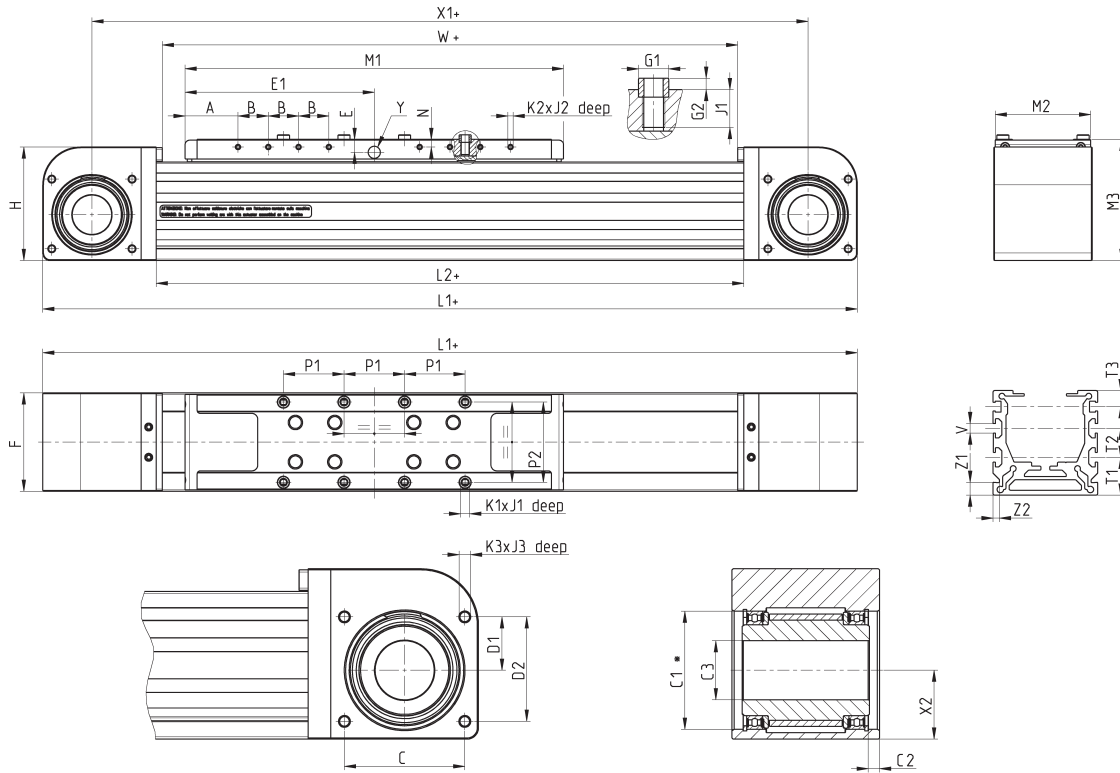
Together with the axis, a kit is supplied containing:

- covers to close the holes on the endcap
- centering bushings for the slider
- nipples for greasing

Electromechanical axis Mod. 5E...AS1



+ = add the stroke



SERIES 5E ELECTROMECHANICAL AXIS

NOTE:

- * We recommend a coupling with a shaft of tolerance h8.
- Dimension T2 in size 50 is not indicated because there is only one slot.
- Dimension Y indicates the hole for centralized lubrication by means of grease.

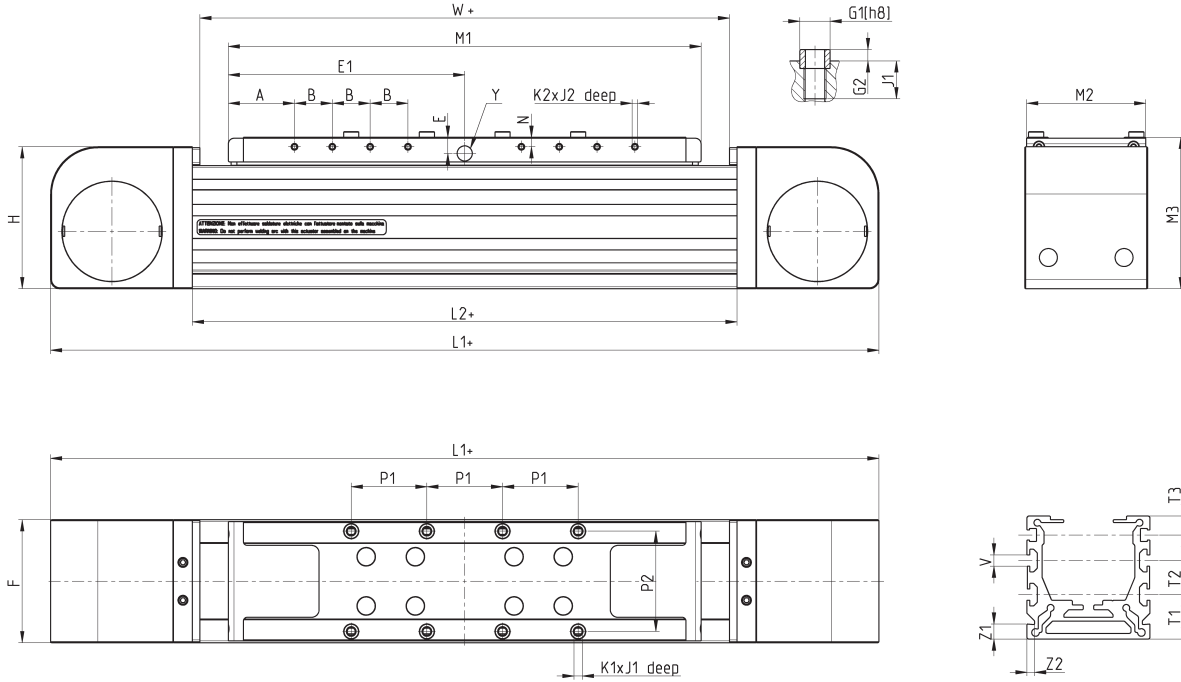
Size	A	B	C	C1	C2	C3 ^(H8)	D1	D2	E	E1	F	G1 ^(H8)	G2	H	L1	L2	M1	M2	M3	N	P1	P2	K1	J1	K2	J2	K3	J3	T1	T2	T3	V	Y	X1	X2	W	Z1	Z2
50	32.5	15	37	37	4.5	20	17	32	8.5	100	50	6	2	60	354	238	200	48	65	5	30	40	M4	7	M3	5	M4	8	20	■	10	6	●	304	21.8	230	8	4
65	35	20	53	52	5	26	23.5	46	8.5	125	65	8	3	75	438	288	250	63	80	5	40	53	M5	8	M3	6	M5	10	23.5	18	10	6	●	373	30.5	280	8	4
80	35	30	68	68	6.5	38	30.5	60.5	11.5	165	80	10	3	95	548	368	330	78	100	8	55	64	M6	12	M4	8.5	M5	10	25	25	10	8	●	468	40.5	360	8	4

Size	WEIGHT STROKE ZERO [kg]	STROKE WEIGHT PER METER [kg/m]
50	2.15	3.35
65	4.6	5.4
80	8.9	5.9

Electromechanical axis Mod. 5E...DS1



+ = add the stroke



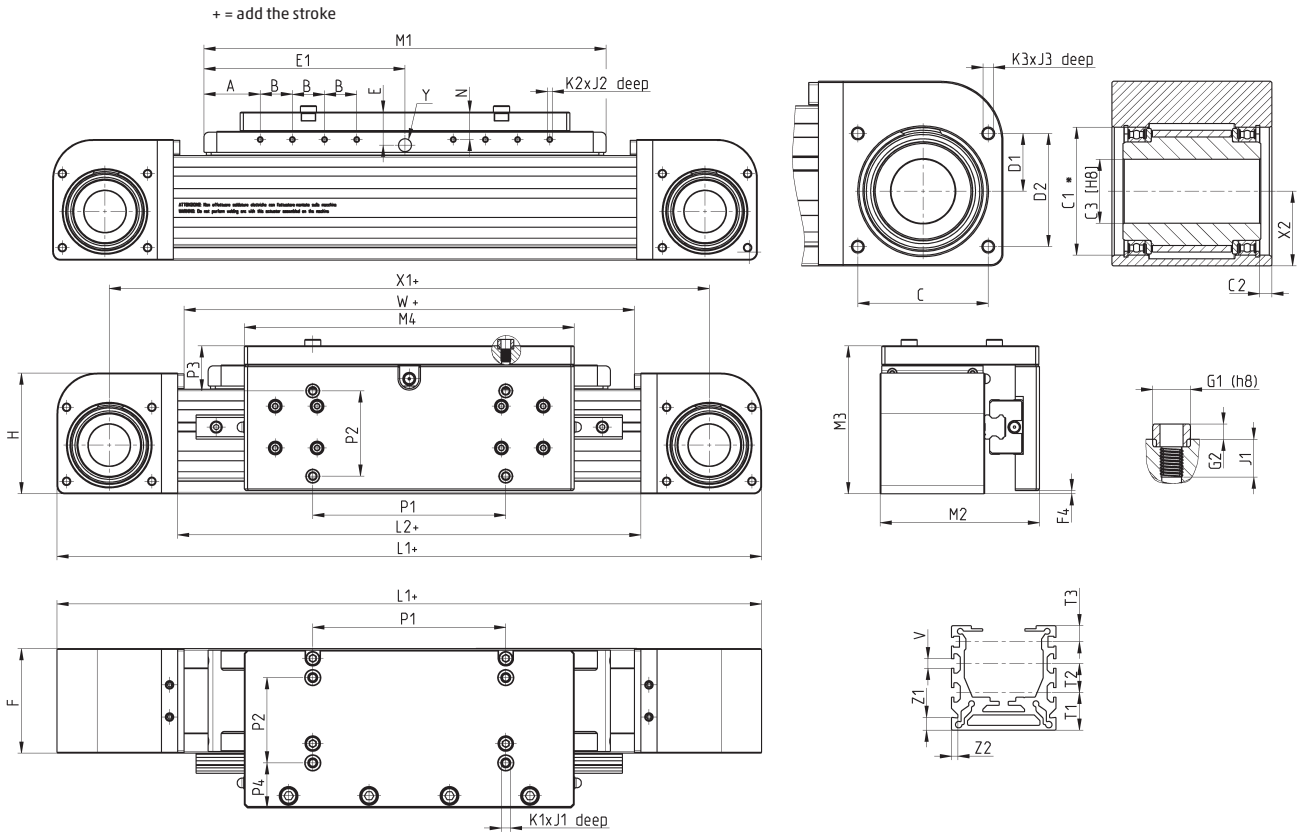
NOTE:

- * We recommend a coupling with a shaft of tolerance h8.
- Dimension T2 in size 50 is not indicated because there is only one slot.
- Dimension Y indicates the hole for centralized lubrication by means of grease.

Size	A	B	E	E1	F	°G1	G2	H	L1	L2	M1	M2	M3	N	P1	P2	K1	J1	K2	J2	T1	T2	T3	V	Y	W	Z1	Z2
50	32.5	15	8.5	100	50	6	2	60	354	238	200	48	65	5	30	40	M4	7	M3	5	20	■	10	6	●	230	8	4
65	35	20	8.5	125	65	8	3	75	438	288	250	63	80	5	40	53	M5	8	M3	6	23.5	18	10	6	●	280	8	4
80	35	30	11.5	165	80	10	3	95	548	368	330	78	100	8	55	64	M6	12	M4	8.5	25	25	10	8	●	360	8	4

Size	WEIGHT STROKE ZERO [kg]	STROKE WEIGHT PER METER [kg/m]
50	1.81	3.00
65	3.58	4.88
80	7.05	5.31

Electromechanical axis Mod. 5E...HS1



NOTE:
 * We recommend a coupling with a shaft of tolerance h8.
 • Dimension Y indicates the hole for centralized lubrication by means of grease.

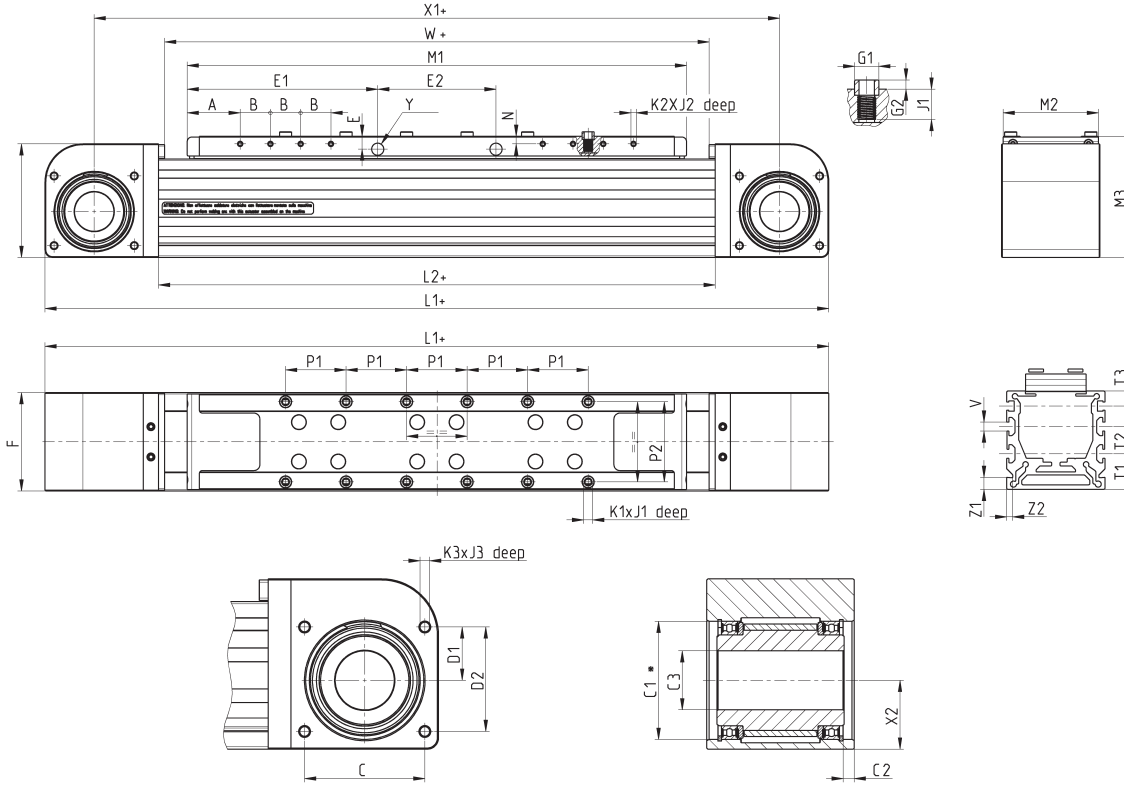
Size	A	B	C	C1	C2	C3	D1	D2	E	E1	F	F4	G1	G2	H	L1	L2	M1	M2	M3	N	P1	P2	P3	P4	K1	J1	K2	J2	K3	J3	T1	T2	T3	V	Y	X1	X2	W	Z1	Z2
65	35	20	53	52	5	26	23.5	46	20.5	125	65	2	8	3	75	438	288	250	99	92	17	120	53	28	28	M5	8	M3	6	M5	10	23.5	18	10	6	•	373	30.5	280	8	4
80	35	30	68	68	6.5	38	30.5	60.5	26.5	165	80	1	10	3	95	548	368	330	119	115	23	165	64	31	33.5	M5	12	M4	8.5	M5	10	25	25	10	8	•	468	40.5	360	8	4

Size	WEIGHT STROKE ZERO [kg]	STROKE WEIGHT PER METER [kg/m]
65	7.08	6.86
80	14.86	8.34

Electromechanical axis Mod. 5E...AL1



+ = add the stroke



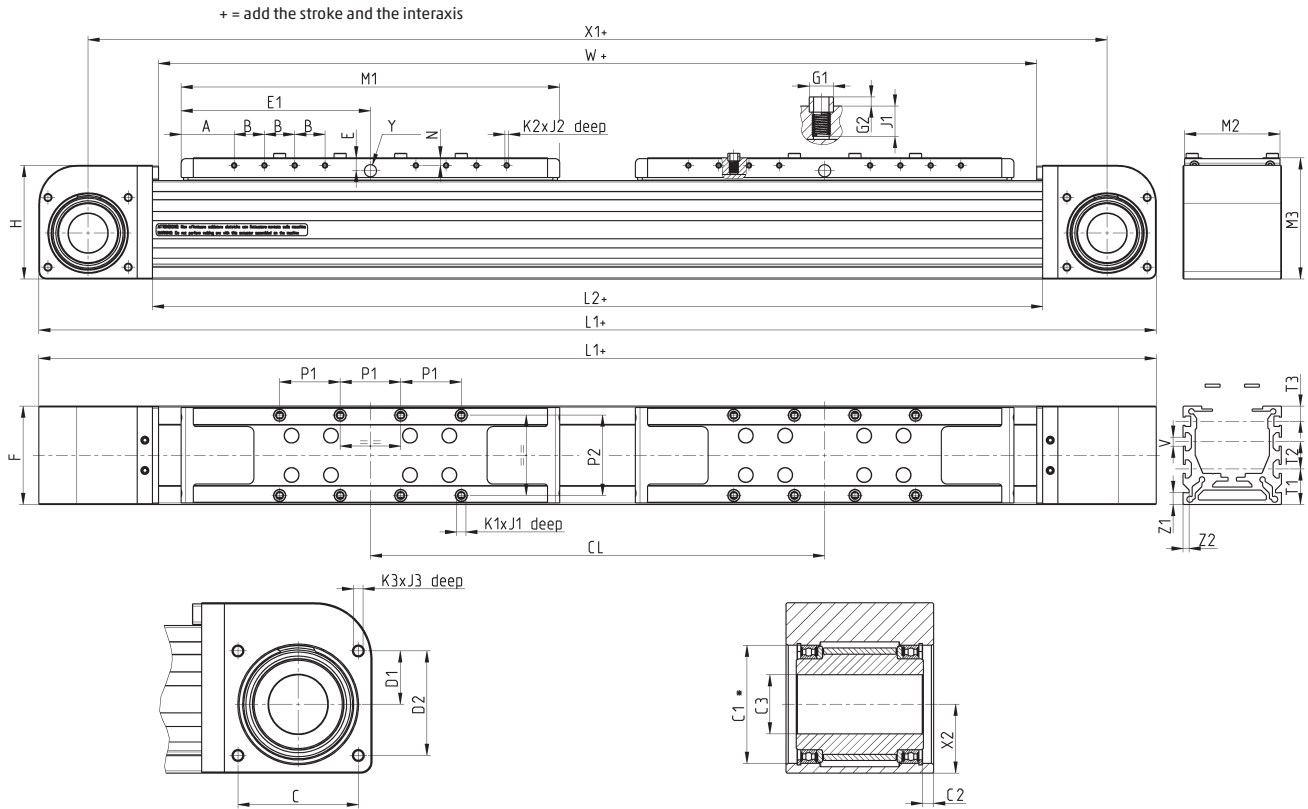
NOTE:

- * We recommend a coupling with a shaft of tolerance h8.
- Dimension T2 in size 50 is not indicated because there is only one slot.
- Dimension Y indicates the hole for centralized lubrication by means of grease.

Size	A	B	C	C1	C2	C3 ^(H8)	D1	D2	E	E1	E2	F	G1 ^(H8)	G2	H	L1	L2	M1	M2	M3	N	P1	P2	K1	J1	K2	J2	K3	J3	T1	T2	T3	V	Y	X1	X2	W	Z1	Z2
50	32.5	15	37	37	4.5	20	17	32	8.5	101.5	62	50	6	2	60	419	303	265	48	65	5	30	40	M4	7	M3	5	M4	8	20.0	■	10	6	●	369	21.8	295	8	4
65	35.0	20	53	52	5	26	23.5	46	8.5	126.0	78	65	8	3	75	518	368	330	63	80	5	40	53	M5	8	M3	6	M5	10	23.5	18	10	6	●	453	30.5	360	8	4
80	37.5	30	68	68	6.5	38	30.5	60.5	11.5	167.5	110	80	10	3	95	663	483	445	78	100	8	55	64	M6	12	M4	8.5	M5	10	25.0	25	10	8	●	583	40.5	475	8	4

Size	WEIGHT STROKE ZERO [kg]	STROKE WEIGHT PER METER [kg/m]
50	2.58	3.35
65	5.56	5.4
80	11.10	5.9

Electromechanical axis Mod. 5E...AS2



NOTE:

- * We recommend a coupling with a shaft of tolerance h8.
- Dimension T2 in size 50 is not indicated because there is only one slot.
- Dimension Y indicates the hole for centralized lubrication by means of grease.

Size	A	B	C	C1	C2	C3 ^(H8)	D1	D2	E	E1	F	G1 ^(H8)	G2	H	L1	L2	M1	M2	M3	N	P1	P2	Q1	Q2	R1	R2	S1	S2	T1	T2	T3	V	Y	X1	X2	W	Z1	Z2
50	32.5	15	37	37	4.5	20	17	32	8.5	100	50	6	2	60	354	238	200	48	65	5	30	40	M4	7	M3	5	M4	8	20	■	10	6	●	304	21.8	230	8	4
65	35	20	53	52	5	26	23.5	46	8.5	125	65	8	3	75	438	288	250	63	80	5	40	53	M5	8	M3	6	M5	10	23.5	18	10	6	●	373	30.5	280	8	4
80	35	30	68	68	6.5	38	30.5	60.5	11.5	165	80	10	3	95	548	368	330	78	100	8	55	64	M6	12	M4	8.5	M5	10	25	25	10	8	●	468	40.5	360	8	4

Size	CL min	CL max	Max applicable stroke	WEIGHT STROKE ZERO [kg]	WEIGHT PER METER [kg/m] (valid for stroke and interaxis increases)
50	250	2000	Smax = 4262 - CL	3.49	3.35
65	300	2000	Smax = 6212 - CL	7.35	5.4
80	400	2000	Smax = 6132 - CL	14.68	5.9

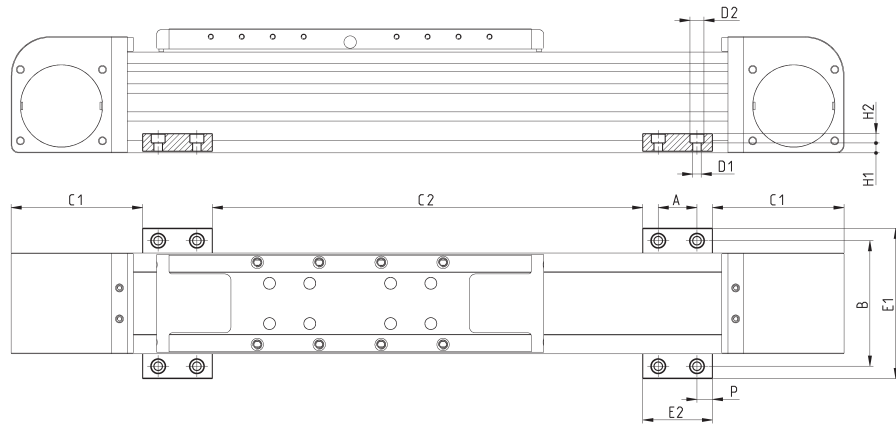
Side clamping bracket Mod. BGS

Material: Aluminium



Supplied with:
2x clamps

TABLE NOTE:
* according to the span
(max admissible deflection)
recommended value 500
mm



Mod.	Size	A	B	C1	C2	∅D1	∅D2	E1	E2	H1	H2	P	Weight (g)
BGS-5E-M5	50	25	66	68	*	5.5	9	82	45	6.4	6	10	45
BGS-5E-M5	65	25	81	85	*	5.5	9	97	45	6.4	6	10	45
BGS-5E-M5	80	25	96	100	*	5.5	9	112	45	6.4	6	10	45
BGS-5E-M6	50	25	66	68	*	6.5	10.5	82	45	5.4	7	10	40
BGS-5E-M6	65	25	81	85	*	6.5	10.5	97	45	5.4	7	10	40
BGS-5E-M6	80	25	96	100	*	6.5	10.5	112	45	5.4	7	10	40

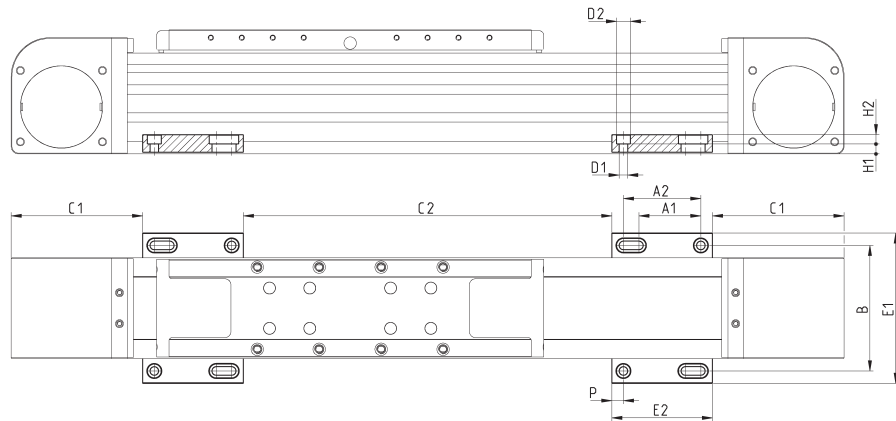
Perforated side clamping bracket Mod. BGA

Material: Aluminium



Supplied with:
2x clamps with perforation

TABLE NOTE:
* according to the span
(max admissible deflection)
recommended value 500
mm

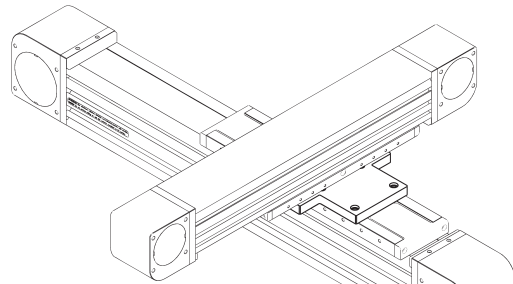
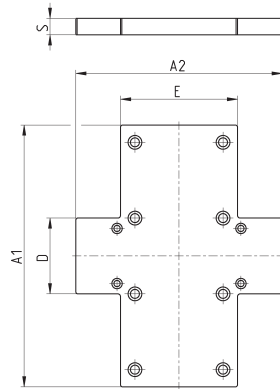


Mod.	Size	A1	A2	B	C1	C2	∅D1	∅D2	E1	E2	H1	H2	P	Weight (g)
BGA-5E-M5	50	40	50	66	68	*	5.5	9	82	65	6.4	6	7.5	60
BGA-5E-M5	65	40	50	81	85	*	5.5	9	97	65	6.4	6	7.5	60
BGA-5E-M5	80	40	50	96	100	*	5.5	9	112	65	6.4	6	7.5	60
BGA-5E-M6	50	40	50	66	68	*	6.5	10.5	82	65	5.4	7	7.5	55
BGA-5E-M6	65	40	50	81	85	*	6.5	10.5	97	65	5.4	7	7.5	55
BGA-5E-M6	80	40	50	96	100	*	6.5	10.5	112	65	5.4	7	7.5	55

Interface plate - slider on slider



The kit includes:
 1x interface plate
 8x screws + 8x lock washers
 to connect the plate on the
 slider of the main axis
 4x screws + 4x lock washers
 to connect the plate on the
 slider of the secondary axis

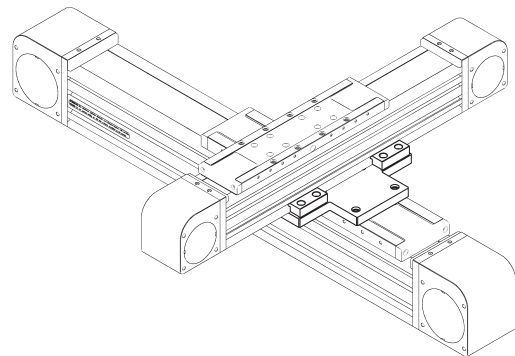
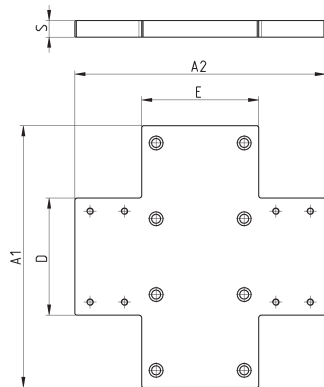


Mod.	Size	A1	A2	D	E	S	Weight (g)
XY-S65-S50	65	150	150	55	70	12	515
XY-S80-S50	80	190	150	55	85	12	690
XY-S80-S65	80	190	150	70	85	12	720

Interface plate - profile on slider



The kit includes:
 1x interface plate
 8x screws + 8x lock washers
 to connect the plate on the
 slider of the main axis
 4x clamps
 8x screws + 8x lock washers
 to connect the secondary
 axis on the plate by means
 of clamps

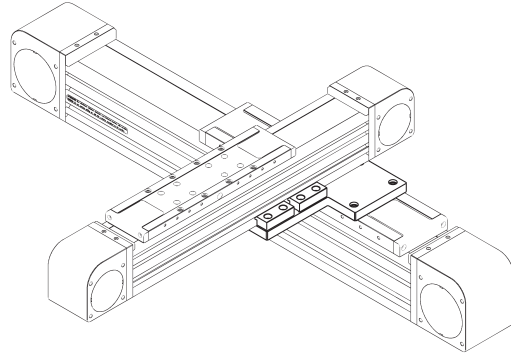
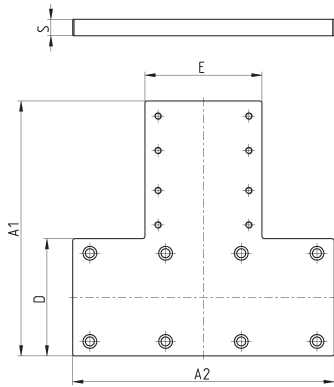


Mod.	Size	A1	A2	D	E	S	Weight (g)
XY-S65-P50	65	150	162	85	70	12	730
XY-S80-P50	80	190	182	85	85	12	945
XY-S80-P65	80	190	185	100	85	12	1000

Interface plate - profile on slider - long arm

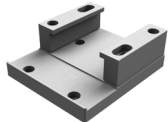


The kit includes:
1x interface plate
8x screws + 8x lock washers
to connect plate on the slider
of the main axis
4x clamps
8x screws + 8x lock washers
to connect plate on the slider
of the secondary axis by
means of clamps

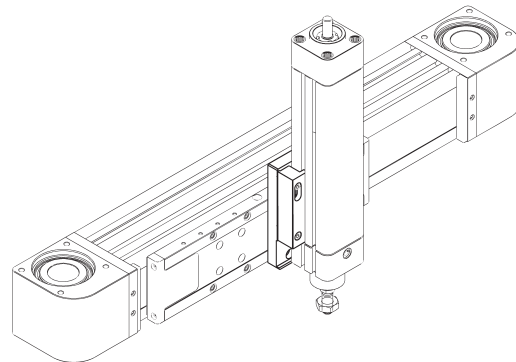
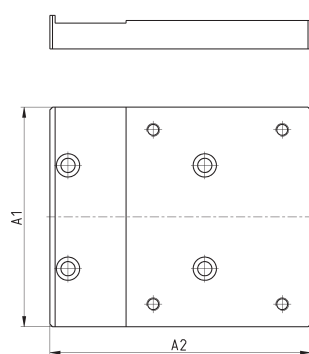


Mod.	Size	A1	A2	D	E	S	Weight (g)
XY-S50-P50-T	50	162	130	50	85	12	600
XY-S65-P50-T	65	170	150	65	85	12	750
XY-S65-P65-T	65	185	170	65	100	12	800
XY-S80-P50-T	80	185	190	85	85	12	960
XY-S80-P65-T	80	185	190	85	100	12	1010
XY-S80-P80-T	80	200	190	85	120	12	1100

Interface plate - Series 6E cylinder on slider



The kit includes:
1x interface plate
4x screws + 4x lock washers
to connect the plate on the
slider of the axis
2x clamps
4x screws + 4x lock washers
to fix the Series 6E cylinder
by means of clamps

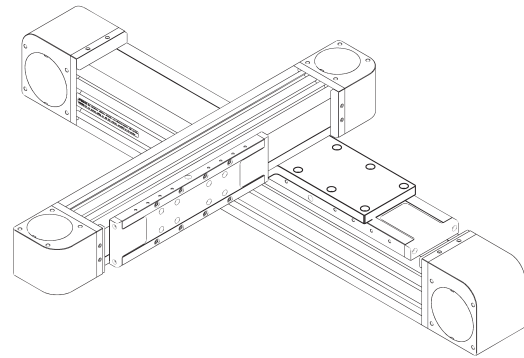
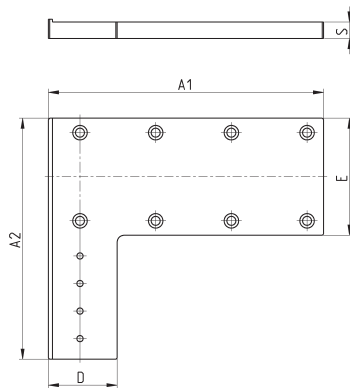


Mod.	Size	A1	A2	S	Weight (g)
XY S50-6E32	50	72	101	11	315
XY-S65-6E32	65	72	101	11	315
XY-S65-6E40	65	85	101	11	350
XY S65-6E50	65	95	110	12	510
XY-S80-6E32	80	75	101	12	385
XY-S80-6E40	80	85	101	12	410
XY-S80-6E50	80	95	110	12	510
XY S80-6E63	80	106	110	12	560

Interface plate - profile side on slider - left position



The kit includes:
 1x interface plate
 8x screws + 8x lock washers
 to connect the plate on the
 slider of the main axis,
 screws and nuts for slot
 to connect the plate on the
 slider of the secondary axis

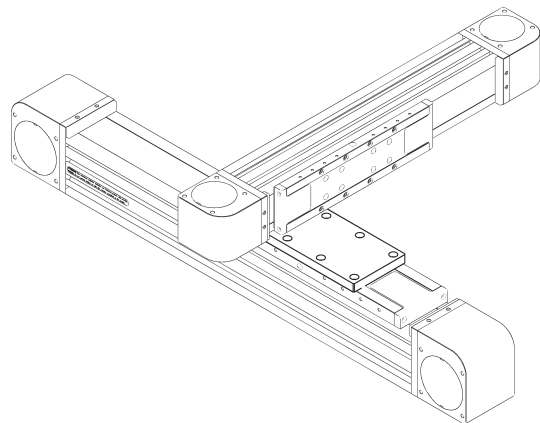
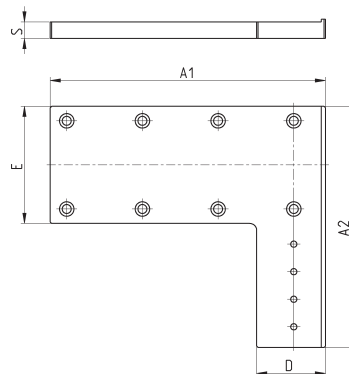


Mod.	Size	A1	A2	D	E	S	Nr of holes	Weight (g)
XY-S50-LL50	50	130	145	50	55	11	4	450
XY-S65-LL50	65	160	160	50	70	11	4	500
XY-S65-LL65	65	170	180	65	70	12	8	550
XY-S80-LL50	80	200	175	50	85	12	4	750
XY-S80-LL65	80	210	195	65	85	12	8	870
XY-S80-LL80	80	210	195	80	85	12	8	900

Interface plate - profile side on slider - right position



The kit includes:
 1x interface plate
 8x screws + 8x lock washers
 to connect the plate on the
 slider of the main axis,
 screws and nuts for slot
 to connect the plate on the
 slider of the secondary axis

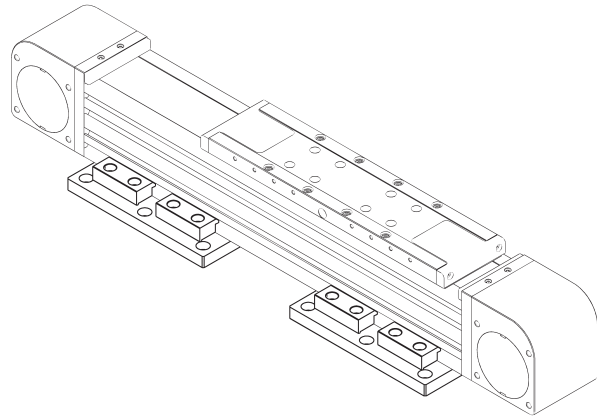
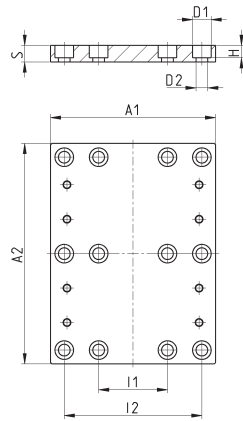


Mod.	Size	A1	A2	D	E	S	Nr of holes	Weight (g)
XY-S50-LR50	50	130	145	50	55	11	4	450
XY-S65-LR50	65	160	160	50	70	11	4	500
XY-S65-LR65	65	170	180	65	70	12	8	550
XY-S80-LR50	80	200	175	50	85	12	4	750
XY-S80-LR65	80	210	195	65	85	12	8	870
XY-S80-LR80	80	210	195	80	85	12	8	900

Fixed interface plate

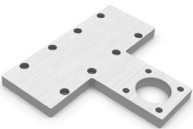


The kit includes:
1x interface plate
4x clamps
8x screws to connect the clamps on the plate

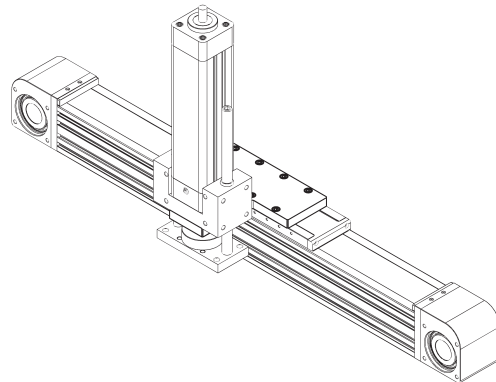
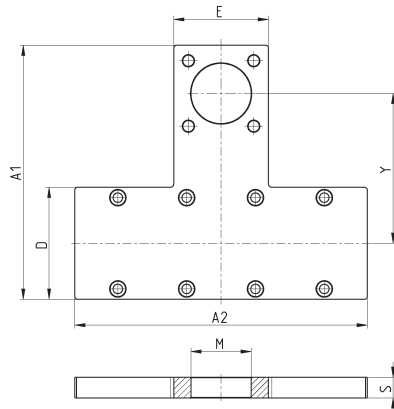


Mod.	Size	A1	A2	\varnothing D1	\varnothing D2	H	I1	I2	S	Weight (g)
X-P50	50	95	140	9	5.5	6	45	80	8	275
X-P65	65	120	140	10.5	6.5	7	50	100	10	430
X-P80	80	120	160	13.5	8.5	9	50	100	12	570

Interface plate - Anti-rotation guides S. 45 / Cylinders S. 6E on slider

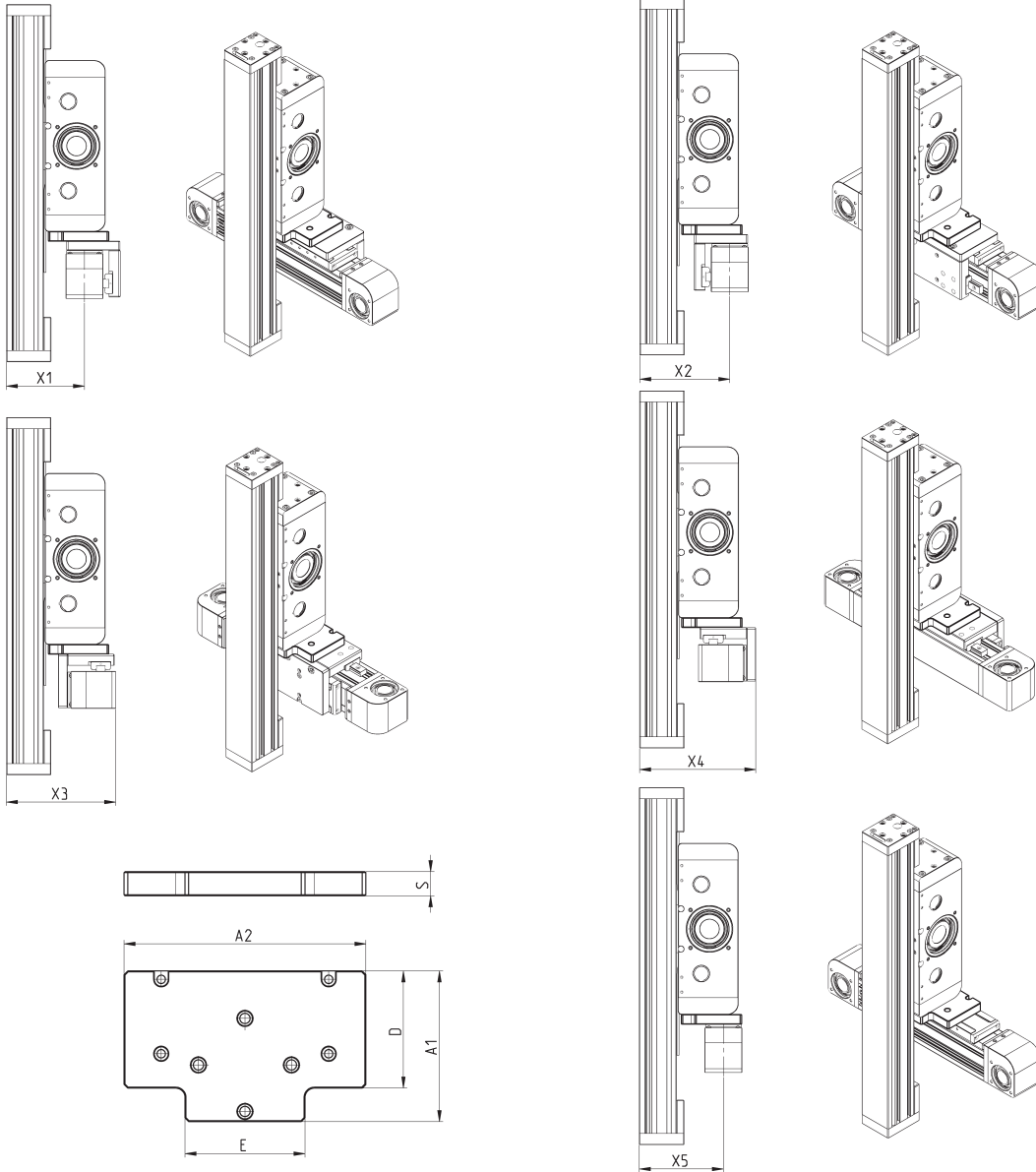


The kit includes:
1x interface plate
8x screws + 8x lock washers to connect the plate on the slider
4x screws to connect the cylinder



Mod.	Size	A1	A2	D	E	S	\varnothing M ^(H10)	Y	Weight (g)
XY-S50-45N32	50	124	130	50	49	12	30	75	350
XY-S65-45N32	65	139	170	65	49	12	30	82.5	480
XY-S65-45N40	65	147.5	170	65	55	12	35	87	500
XY-S65-45N50	65	157	170	65	66.5	12	40	91.5	530
XY-S80-45N40	80	167.5	190	85	55	12	35	97	660
XY-S80-45N50	80	177	190	85	65	12	40	101.5	690
XY-S80-45N63	80	190.5	190	85	75	12	45	110	740

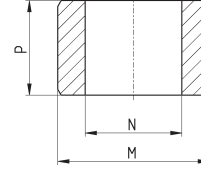
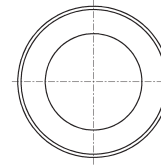
5E/5V connection flange



Mod.	Size	X1	X2	X3	X4	X5	A1	A2	E	D	S	Weight (g)
YZ-50-5V50	50	105	121	147	79	-	81	130	64.5	63	13	335
YZ-65-5V50	65	112.5	136.5	16	87	124.5	99.5	140	64.5	76.5	13	445
YZ-65-5V65	65	130	154	179.5	104.5	-	101.5	140	84.5	76.5	13	460
YZ-80-5V50	80	120.5	146.5	185.5	81.5	133.5	118	190	64.5	78	13	635
YZ-80-5V65	80	137.5	163.5	202.5	98.5	150.5	118	190	84.5	78	15	770
YZ-80-5V80	80	141	183.5	222.5	118.5	-	120	190	99.5	78	15	825

Centering ring Mod. TR-CG

Supplied with:
2x centering rings in steel

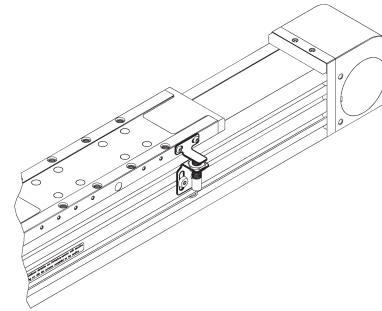
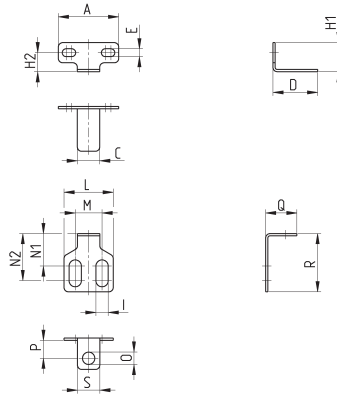


Mod.	M (h8)	N	P
TR-CG-04	Ø4	Ø2.6	2.5
TR-CG-05	Ø5	Ø3.1	3
TR-CG-06	Ø6	Ø4.1	4
TR-CG-08	Ø8	Ø5.1	5
TR-CG-10	Ø10	Ø6.1	6
TR-CG-12	Ø12	Ø8.1	6

Kit to fix the inductive sensor

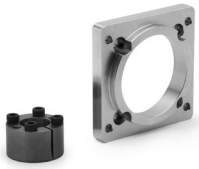


The kit includes:
1x sensor dog
2x screws to fix the sensor dog
1x sensor supporting plate
2x screws to connect the sensor supporting plate
2x nuts for the slot

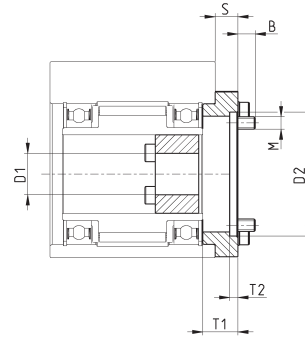
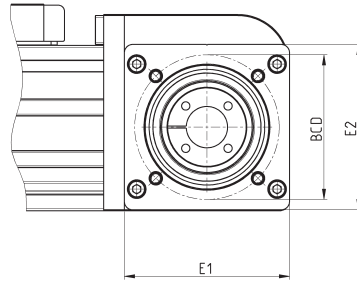


Mod.	Size	A	C	D	E	H1	H2	I	L	M	N1	N2	ØO	P	Q	R	S	Weight (g)
SIS-M5-50/65	50-65	27	10	20	3.5	13	8.5	5.5	22	12	14.5	21	5.5	8	14	26	10	10
SIS-M8-65	65	27	10	20	3.5	13	8.5	5.5	25	15	10.5	24	8.5	10	18.5	30	15	10
SIS-M5-80	80	45	15	20	4.5	16	10.5	5.5	22	12	14.5	21	5.5	8	14	26	10	15
SIS-M8-80	80	45	15	20	4.5	16	10.5	5.5	25	15	10.5	24	8.5	10	18.5	30	15	15

Kit to connect the Series GB gearbox



The kit includes:
 1x connection flange
 4x screws + 4x lock washers
 to connect the flange
 1x locking set
 4x screws + 4x lock washers
 to connect the gearbox

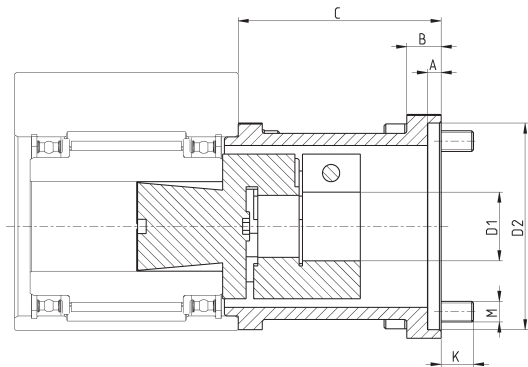
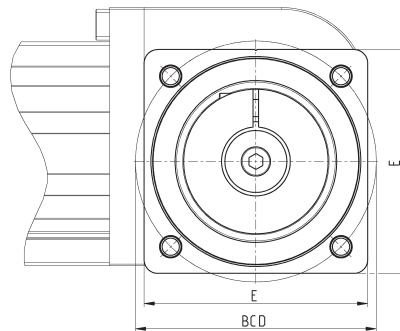


Mod.	Size	Gearbox	E1	E2	S	$\varnothing D1$	$\varnothing D2^{(H7)}$	T1	T2	M	B	Weight (g)
FR-5E-50	50	GB-040	48	43	6	10	26	10	10	4	5.5	85
FR-5E-65	65	GB-060	63	60	7	14	40	11	11	5	7.4	140
FR-5E-80	80	GB-080	80	80	11	20	60	17	4	6	8.4	325

Kit to connect the gearbox - enhanced series (sizes 50, 65)



The kit includes:
 1x connection flange
 4x screws + 4x lock washers
 to connect the flange
 1x expansion coupling
 4x screws + 4x lock washers
 to connect the gearbox

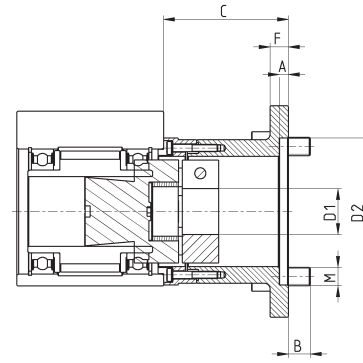
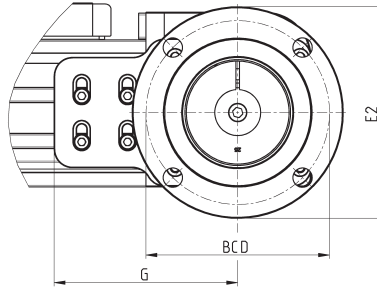


DIMENSIONS												
Mod.	Size	Gearbox	$\varnothing D1$	$\varnothing D2^{(H7)}$	A	BCD	B	C	E	M	K	Weight (g)
FRH-5E-50	50	GB-060	14	40	4	52	8	51	50	5	7.4	170
FRH-5E-65	65	GB-080	20	60	4	70	10	59	65	6	9.4	530

Kit to connect the gearbox - enhanced series (size 80)

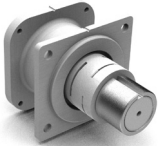


The kit includes:
 2x connection flanges
 4x screws + 4x lock washers
 1x expansion coupling
 4x screws + 4x lock washers to fix the axis
 4x screws + 4x lock washers to fix the profile
 4x nuts + 4x screws to fix the gearbox

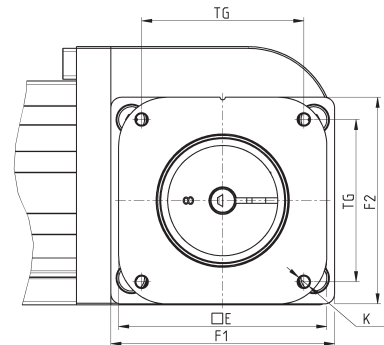
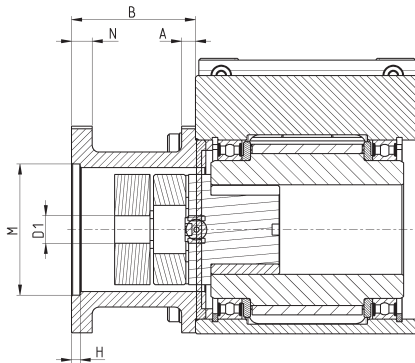


Mod.	Size	Gearbox	$\varnothing_{D1}^{(H7)}$	A	\varnothing_{D2}	\varnothing_{D3}	B	C	\varnothing_E	F	G	Weight (g)
FRH-5E-80	80	GB-120	80	5	100	10.5	10	68	115	60	100	1000

Direct connection kit for Stepper motor



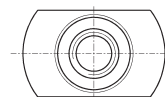
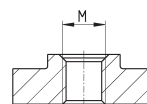
The kit includes:
 1x MTS-24 connection flange
 4x screws + 4 lock washers
 1x expansion coupling
 1x bushing (not present in FS-5E-50-0024)



Mod.	Size	Motor	\varnothing_{D1}	A	B	F1	F2	E	TG	K	\varnothing_M	H	N	Weight (g)
FS-5E-50-0024	50	MTS-24-...	8	4	37	47	45	60.5	47.1	M4	38.1	2.5	2.5	125
FS-5E-65-0024	65	MTS-24-...	8	4	36	65	60	60.5	47.1	M4	38.1	2.5	2.5	200

Slot nut for sensor CSH

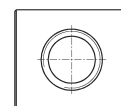
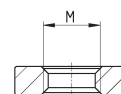
Material: steel

Supplied with:
2x nuts

Mod.	Size	M
PCV-5E-CS-M3	50 - 65 - 80	M3
PCV-5E-CS-M4	50 - 65 - 80	M4

Slot nut 6 - rectangular type

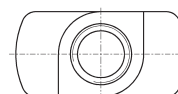
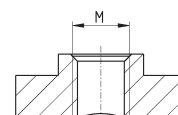
Material: steel

Supplied with:
2x nuts

Mod.	Size	M
PCV-5E-C6-M4Q	50 - 65	M4

Slot nut 6 for front insertion

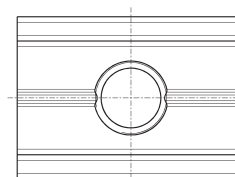
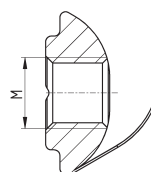
Material: steel

Supplied with:
2x nuts

Mod.	Size	M
PCV-5E-C6-M4R	50 - 65	M4

Slot nut 8 with flexible flap

Material: steel

Supplied with:
2x nuts

Mod.	Size	M
PCV-5E-C8-M5	80	M5
PCV-5E-C8-M6	80	M6

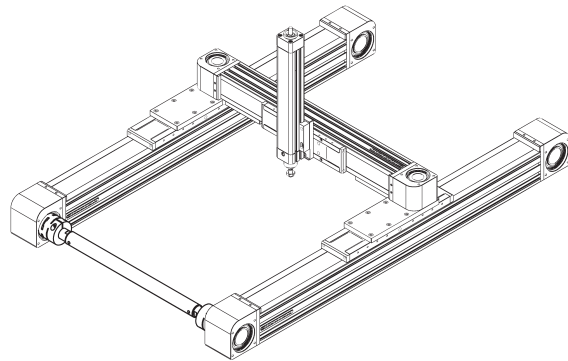
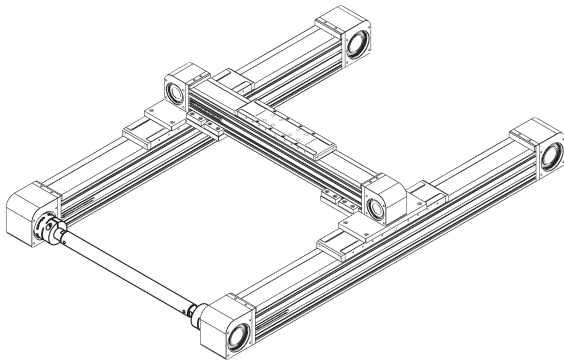
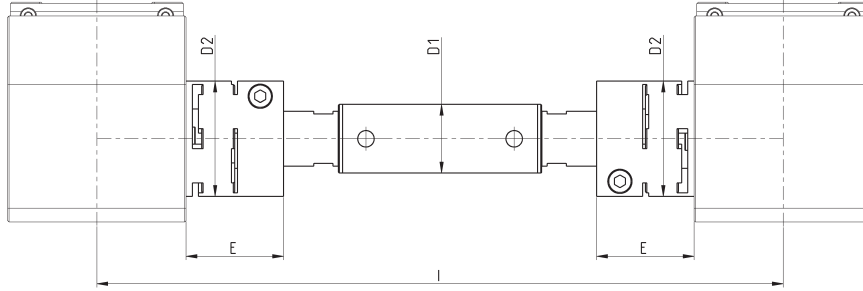
Parallel connection kit

The kit includes:
1x parallel shaft
2x expansion couplings



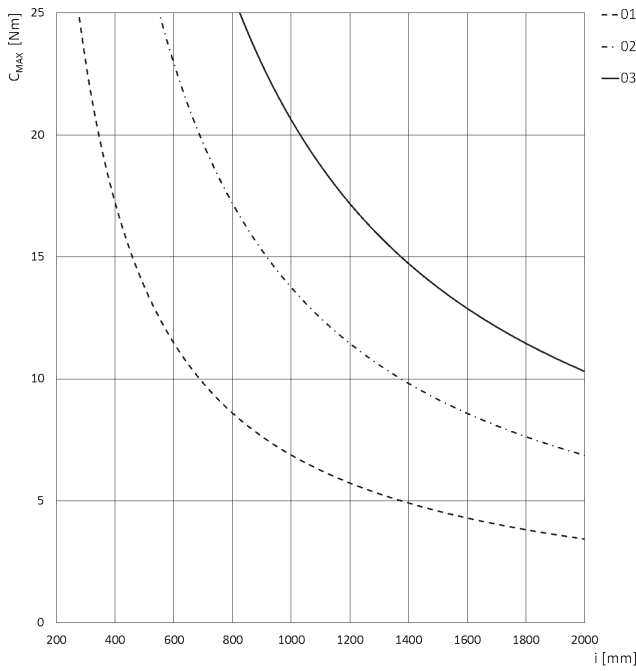
EXAMPLE:

PS-5E-65-1400 corresponds to a parallel connection for axes positioned at interaxis $l = 1400\text{mm}$



Mod.	Size	l min	l max	$\varnothing D1$	$\varnothing D2$	E	Transmission torque
PS-5E-50-0000	50	200	2000	22	32	26	see graph
PS-5E-65-0000	65	250	2000	25	42	35.5	see graph
PS-5E-80-0000	80	300	2000	30	56	40	see graph

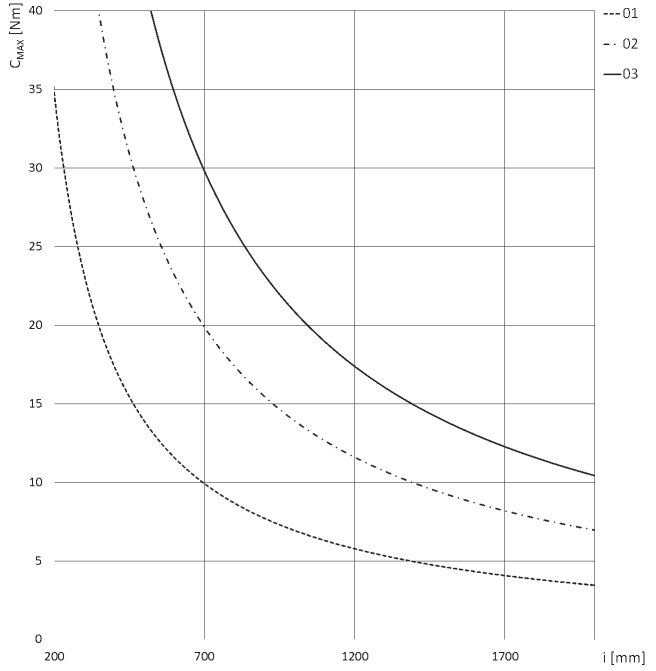
INTERAXIS ACCORDING TO THE MAXIMUM ADMISSIBLE TORQUE



Size 50x50

C_{max} = max applicable torque
 i = interaxis between the two 5E axes

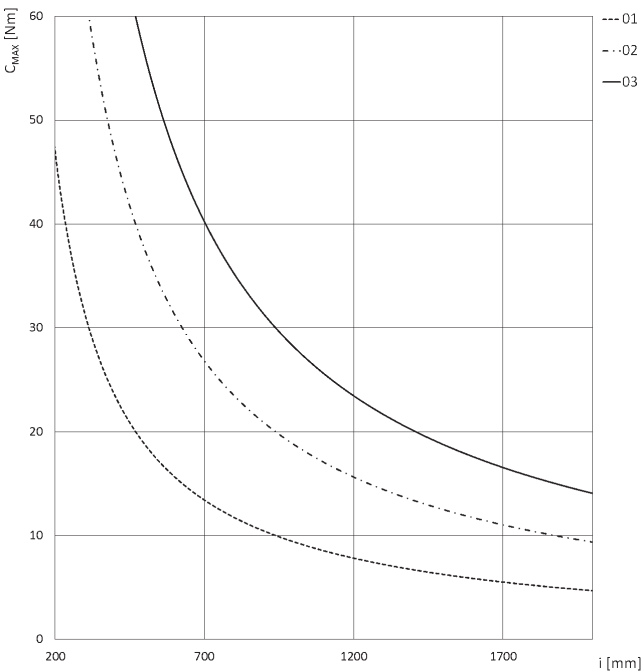
- 01 = lag error 0.1 mm
- 02 = lag error 0.2 mm
- 03 = lag error 0.3 mm



Size 65x65

C_{max} = max applicable torque
 i = interaxis between the two 5E axes

- 01 = lag error 0.1 mm
- 02 = lag error 0.2 mm
- 03 = lag error 0.3 mm



Size 80x80

C_{max} = max applicable torque
 i = interaxis between the two 5E axes

- 01 = lag error 0.1 mm
- 02 = lag error 0.2 mm
- 03 = lag error 0.3 mm

Series 5V vertical electromechanical axis

Sizes 50, 65, 80

SERIES 5V ELECTROMECHANICAL AXIS



- » High dynamics
- » Easy to integrate in x-y-z systems
- » Strokes up to 1500 mm
- » Version with integrated shock absorbers

The 5V vertical electromechanical axis represents the ideal solution for applications that require vertical displacements as for example pick and place, dispensing, loading/unloading systems (plastic injection moulding, assembly, machining) or palletisers. Available in three sizes, 50, 65 and 80, it can be used as vertical axis of a x,y,z gantry system or cantilever in applications that require to move loads for long strokes quickly and thus optimise the machine cycle time.

The new Series 5V axes are mechanical linear actuators with toothed belt. Thanks to a specific pulley system with omega configuration, these axes allow to reduce to a minimum the inertia of the system. Furthermore, the presence of one or more recirculating ball guides (HS version) as well as of a special self-supporting square profile provides high stiffness and resistance to dynamic loads, ensuring a precise and fast displacement of heavy loads.

GENERAL DATA

Construction	electromechanical axis with toothed belt
Design	open profile with protection plate
Operation	linear multi-position actuator
Sizes	50, 65, 80
Strokes	max 1500 mm
Type of guide	internal, with recirculating balls (cage type)
Fixing	by means of dedicated accessories
Mounting motor	on both sides
Operating temperature	-10°C ÷ +50°C
Storage temperature	-20°C ÷ +80°C
Protection class	IP 20
Lubrication	centralized lubrication by means of internal channels
Repeatability	± 0.05 mm
Duty cycle	100%
Use with external sensors	C5H and CST magnetic switches by means of accessories Mod. SMS

CODING EXAMPLE

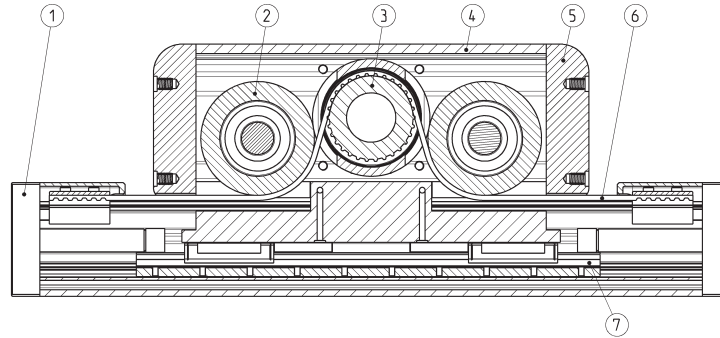
5V	S	050	TBL	0200	A	S	1
5V	SERIES						
S	PROFILE: S = square section						
050	FRAME SIZE: 050 = 50x50 mm 065 = 65x65 mm 080 = 80x80 mm						
TBL	TRANSMISSION: TBL = toothed belt						
0200	STROKE [C]: 0050 ÷ 1500 mm						
A	VERSION: A = standard						
S	TYPE OF SLIDER: S = standard						
1	NUMBER OF SLIDERS: 1 = 1 slider						
	TYPE OF END CAP: = standard SA = shock absorber integrated						

MECHANICAL CHARACTERISTICS

(A) Value refers to a covered distance of 2000 Km with fully supported system.

	Measuring unit	Size 50	Size 65	Size 80
RECIRCULATING BALL GUIDE (CAGE TYPE)				
Version		A	A	A
Type of slider		S	S	S
Number of RDS blocks	pcs	2	2	2
Dynamic load of RDS blocks (C)	N	11640	28400	44600
Max admissible load (Cmax z, Cmax y)	N	3100(A)	8300(A)	13100(A)
Max admissible moment (Mmax x)	Nm	22.44	96.00	216.60
Max admissible moment (Mmax y, Mmax z)	Nm	45.30	269.40	525.00
Max linear speed of mechanics (Vmax)	m/s	3	3	3
Max linear acceleration of mechanics (amax)	m/s ²	30	30	30
PROFILE				
Moment of surface inertia Iy	mm ⁴	1.89 · 10 ⁵	4.94 · 10 ⁵	1.23 · 10 ⁶
Moment of surface inertia Iz	mm ⁴	2.48 · 10 ⁵	6.97 · 10 ⁵	1.68 · 10 ⁶
TOOTHED BELT				
Type		25 AT 5 HP	40 AT 5 HP	45 AT 10 HP
Pitch	mm	5	5	10
Safe loads	N	See the diagram	See the diagram	See the diagram
PULLEY				
Effective diameter of the pulley	mm	47.75	57.30	76.39
Number of teeth	z	30	36	24
Linear movement per pulley round	mm/round	150	180	240

SERIES 5V MATERIALS



COMPONENTS	MATERIALS
1. End cap	Aluminium alloy
2. Idler	Aluminium alloy
3. Pulley	Steel
4. Omega body	Aluminium alloy
5. Cover	Aluminium alloy
7. Belt	PU + Steel
8. Recirculating ball guide	Steel

HOW TO CALCULATE THE LIFE OF THE AXIS 5V

The correct dimensioning of the axis 5V, used individually or in a cartesian system with several axes, you need to consider some facts, both static and dynamic. Among these, the most important are described on the following pages.

CALCULATION OF LIFE [km]

$$L_{eq} = \left(\frac{C_{ma}}{C_{eq} \cdot f_w} \right)^3 \cdot 2000$$

- Leq = Life of the axis [km]
- Cma = Maximum admissible load [N]
- Ceq = Equivalent load [N]
- fw = safety coefficient according to the working conditions

CALCULATION OF EQUIVALENT LOAD

$$C_{eq} = |F_y| + |F_z| + C_{ma} \cdot \left| \frac{M_x}{M_{x,ma}} \right| + C_{ma} \cdot \left| \frac{M_y}{M_{y,ma}} \right| + C_{ma} \cdot \left| \frac{M_z}{M_{z,ma}} \right|$$

When compression/traction and side loads as well as bending or torque moments act on the system, you need to calculate the equivalent load acting on the system.

- Ceq = Equivalent load [N]
- Fy = Force acting along the Y-axis [N]
- Fz = Force acting along the Z-axis [N]
- Cma = Max admissible load [N]
- Mx = Moment along X-axis [Nm]
- My = Moment along Y-axis [Nm]
- Mz = Moment along Z-axis [Nm]
- M(x,ma) = Max admissible moment along X-axis [Nm]
- M(y,ma) = Max admissible moment along Y-axis [Nm]
- M(z,ma) = Max admissible moment along Z-axis [Nm]

HOW TO CALCULATE THE DRIVING TORQUE [Nm]

F_A = Total force acting from outside [N]
 F_E = Force to be applied externally [N]
 g = Gravitational acceleration [9.81 m/s²]
 m_E = Mass of the body to move [kg]
 D_P = Pulley pitch diameter [mm]
 C_{M1} = Driving torque due to external agents [Nm]

J_{TOT} = Moment of inertia of rotating components [kg·m²]
 ω = Angular acceleration [rad/s²]
 a = Axis linear acceleration [m/s²]
 C_{M2} = Driving torque due to rotating components [Nm]

F_{TT} = Force needed to move translating components [N]
 F_{TF} = Force needed to move fixed-length translating components [N]
 F_{TV} = Force needed to move variable-length translating components [N]
 m_{C1} = Mass of fixed-length translating components [kg]
 K_{TV} = Mass coefficient of variable-length translating components [kg/mm]
 C_{M3} = Driving torque due to translating components [Nm]

According to the axis size and to the speeds chosen, force that can be transmitted from the toothed belt has these limits.

$$C_{TOT} = C_{M1} + C_{M2} + C_{M3}$$

$$F_A = F_E + m_E \cdot (a \pm g)$$

$$C_{M1} = \frac{F_A \cdot D_P}{2}$$

$$\dot{\omega} = \frac{2 \cdot a}{D_P}$$

$$C_{M2} = J_{TOT} \cdot \dot{\omega}$$

$$F_{TT} = F_{TF} + F_{TV}$$

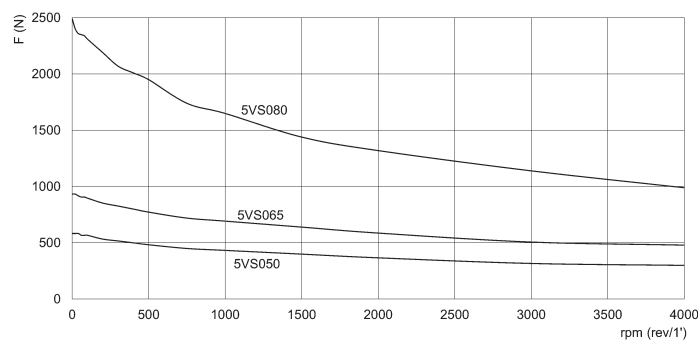
$$F_{TF} = m_{C1} \cdot (a \pm g)$$

$$F_{TV} = K_{TV} \cdot C \cdot (a \pm g)$$

$$C_{M3} = \frac{F_{TT} \cdot D_P}{2}$$

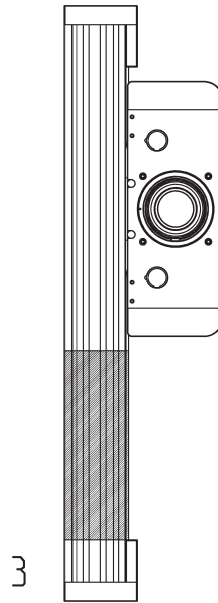
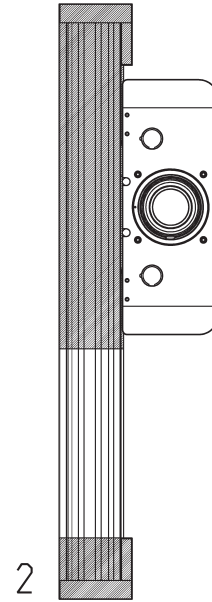
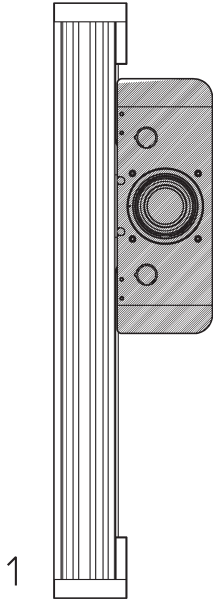
TRANSMISSIBLE FORCE

The force that can be transmitted from the toothed belt depends on the axis size and speeds chosen.



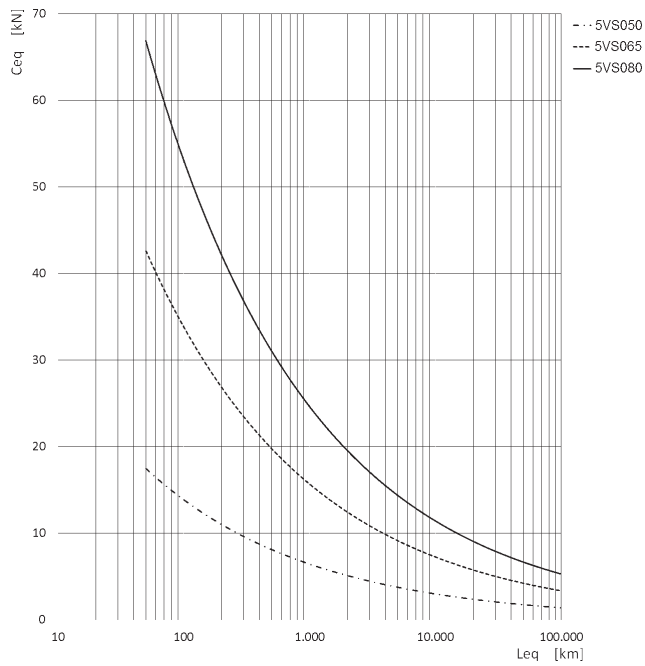
WEIGHT DISTINCTION

- 1 = fixed mass M_f
- 2 = moving mass with stroke zero m_{c1}
- 3 = moving mass that varies according to the stroke K_{tv}



Size	m_{c1} [Kg]	K_{tv} [Kg/m]	M_f [Kg]	tot weight stroke 0 [Kg]
50	1.49	3.15	3.37	4.86
65	2.67	5.13	6.14	8.81
80	6.43	8.3	12.16	18.59

LIFE OF THE SERIES 5V AXIS ACCORDING TO THE EQUIVALENT LOAD



Curves calculated with $f_w = 1$

C_{eq} = Equivalent load applied on the axis [kN]
 L_{eq} = Life of the axis [km]

EQUIVALENT LOAD

To determine the moment acting on the axis x, M_x , in an accurate way, refer to the following formula:

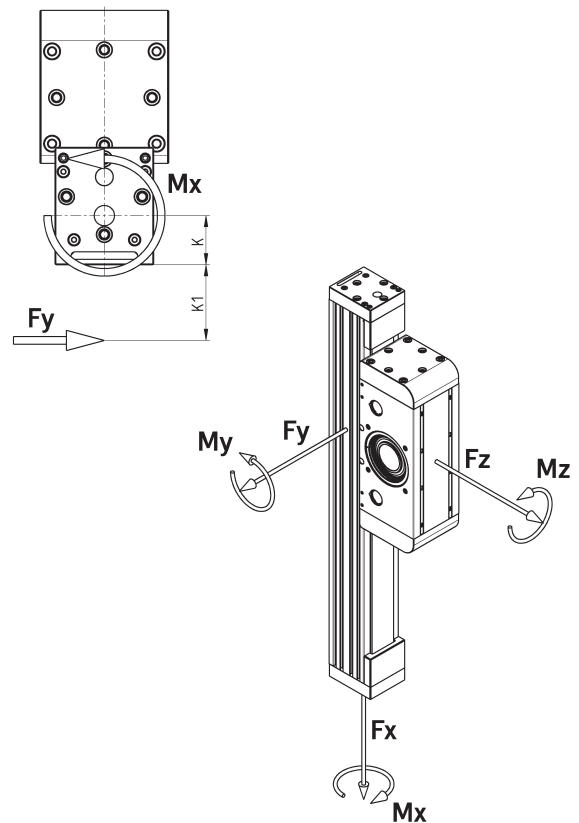
$$M_x = F_y \cdot (K + K1)$$

where:

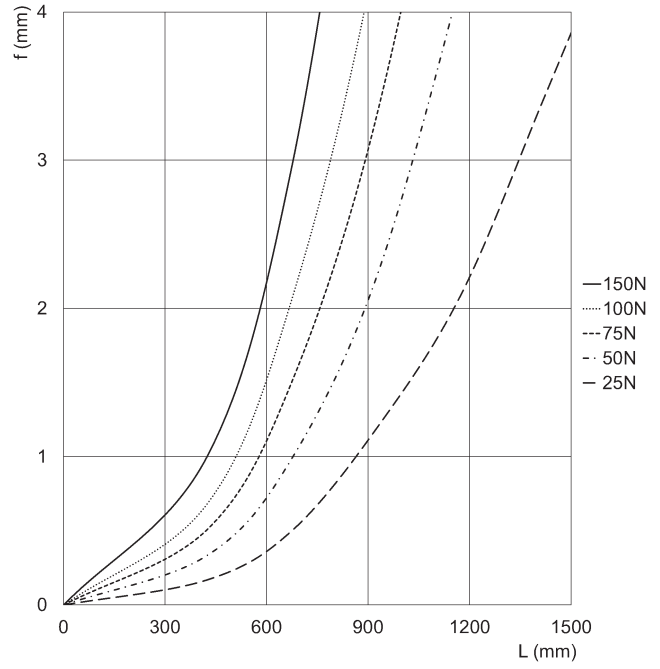
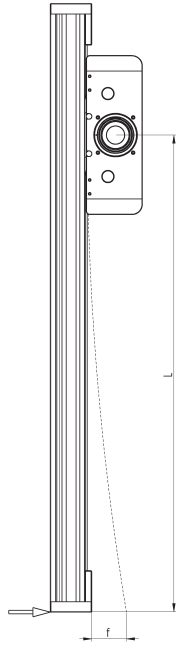
M_x = Moment along X-axis [Nm]
 F_y = Force acting along the Y-axis [N]
 K = fixed distance for axis 5E [mm]
 $K1$ = application arm [mm]

NOTE: here below, the "K" values for the three sizes

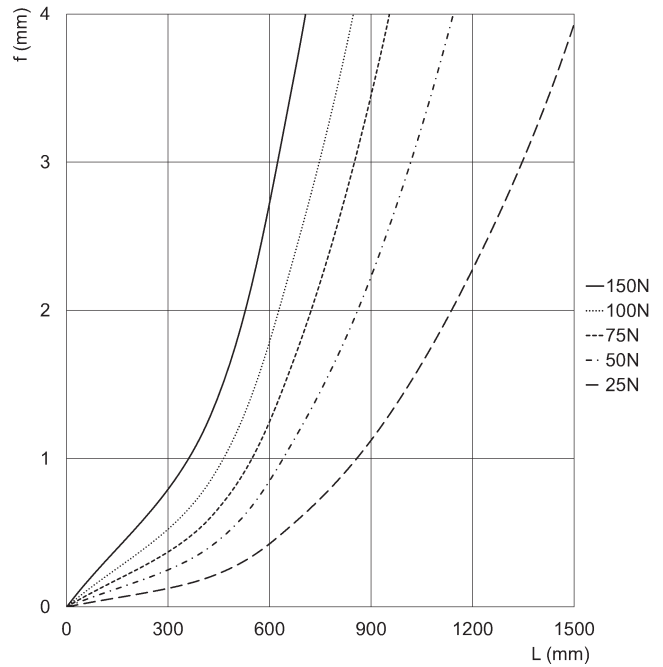
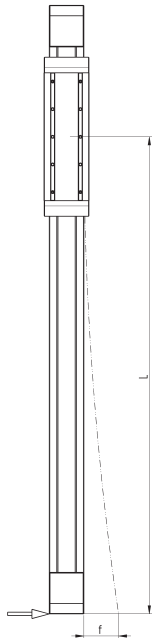
- $K = 21$ mm (5VS050)
- $K = 28$ mm (5VS065)
- $K = 36$ mm (5VS080)



DEFLECTION 5VS050

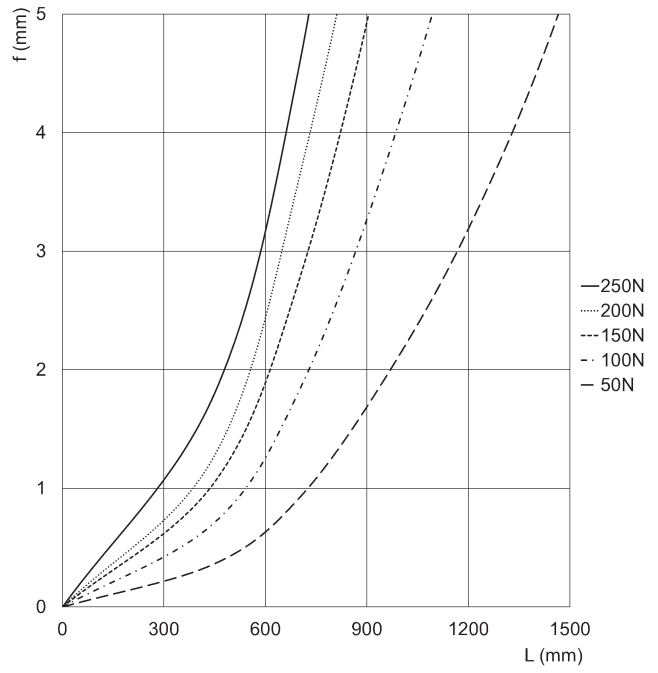
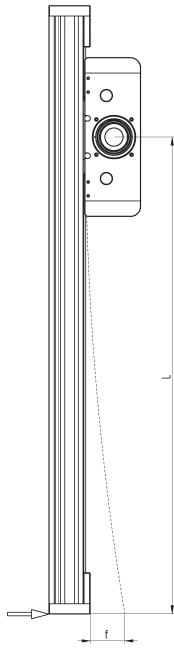


f = generated deflection [mm]
L = arm length [mm]

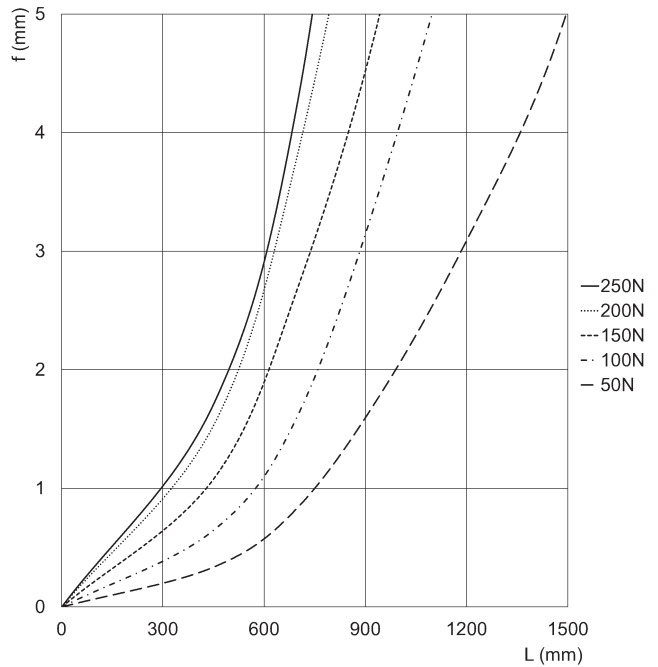
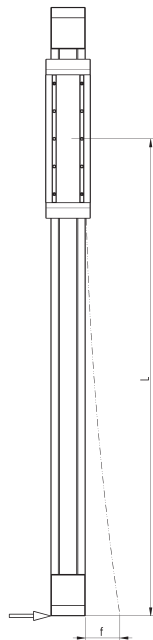


f = generated deflection [mm]
L = arm length [mm]

DEFLECTION 5VS065

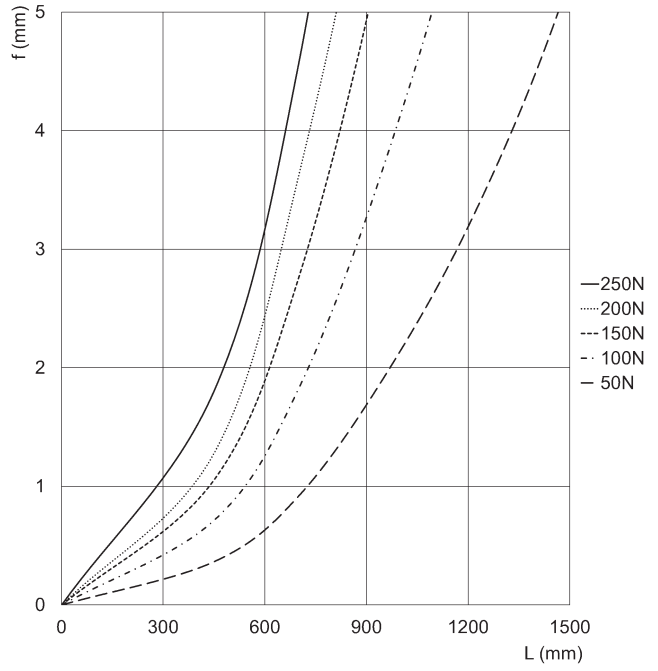
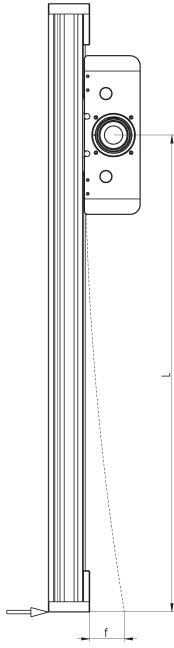


f = generated deflection [mm]
L = arm length [mm]

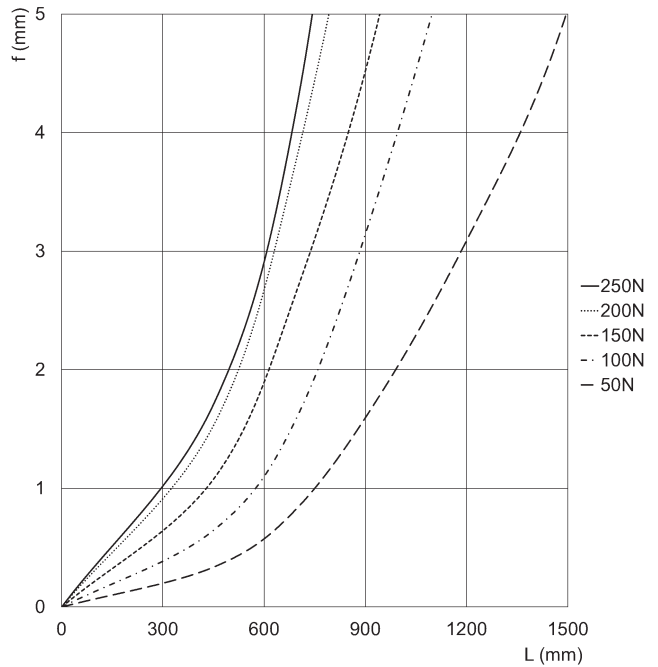
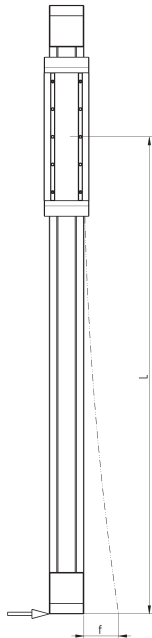


f = generated deflection [mm]
L = arm length [mm]

DEFLECTION 5VS080

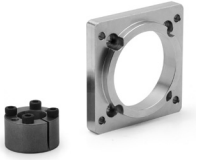


f = generated deflection [mm]
L = arm length [mm]

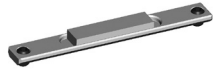


f = generated deflection [mm]
L = arm length [mm]

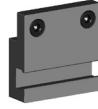
ACCESSORIES FOR SERIES 5V



Kit to connect the gearbox



Magnet kit
Mod. SMS-5V-U



Sensor holder kit
Mod. SMS-5V



Centering ring
Mod. TR-CG



5E/5V connection flange



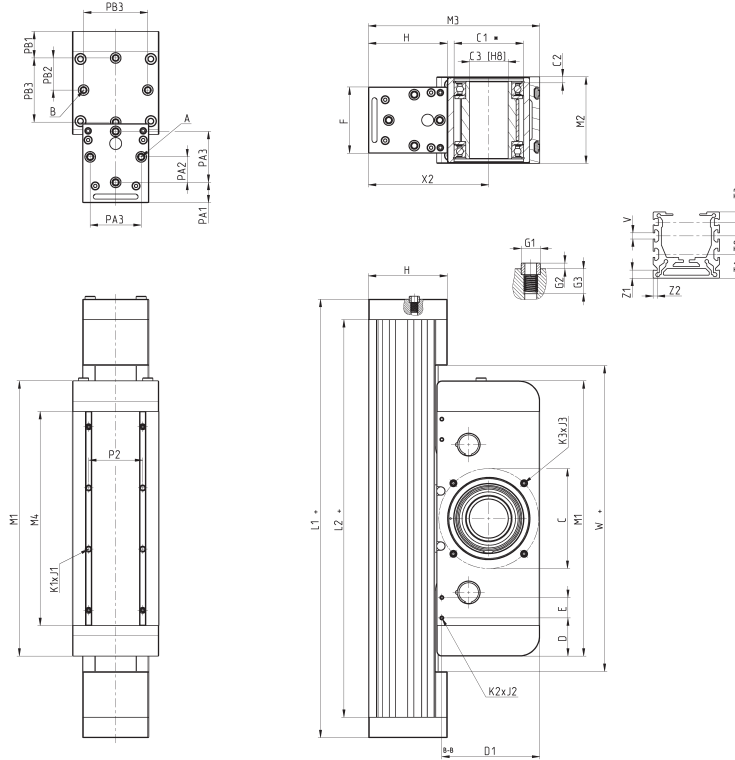
All accessories are supplied separately from the axis.
Together with the axis, a kit is supplied containing:

- covers to close the holes on the endcap
- centering bushings for the slider
- nipples for greasing

Electromechanical axis Mod. 5V...AS1



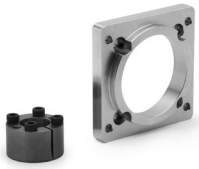
+ = add the stroke



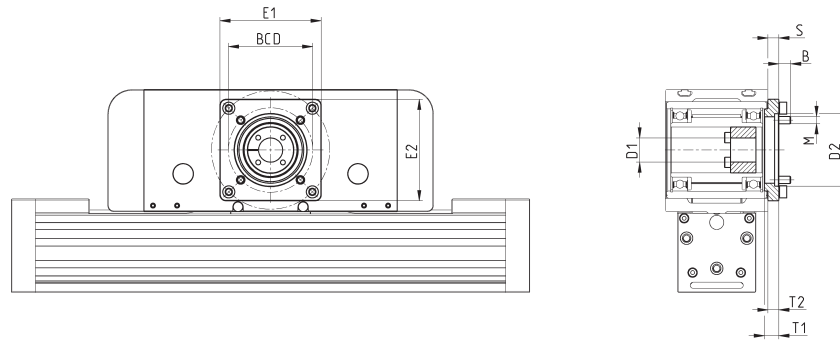
Size	A	B	C	C1	C2	C3(H8)	D	E	F	H	L1	L2	M1	M2	M3	M4	P1	PA1	PA2	PA3	PB1	PB2	PB3	X2	W+	K1xJ1	K2xJ2	K3xJ3	Z1	Z2	V	T1	T2	T3	G1(H8)	G2	G3
50	M5x7.5	M5x7.5	72	52	4.5	26	30	20	50	60	380	350	230	65	133	185	40	14.5	20	40	21	25	50	94.3	260	M4x4.7	M3x6	M5x7.5	8	4	6	20	-	10	8	3	9.5
65	M6x9	M6x9	98	68	4.5	38	37.5	20	65	77.5	430	390	270	85	168	210	60	20	25	50	26	31.5	63	118	300	M5x4.7	M3x6	M6x10	8	4	6	23.5	18	10	10	3	12
80	M8x12	M8x12	133	80	5	47	37.5	20	80	97.5	635	585	365	100	205	305	60	24	32.5	65	37	35	70	144	395	M6x5	M3x6	M8x18	8	4	8	25	25	10	12	3	15

Size	WEIGHT STROKE ZERO [kg]	STROKE WEIGHT PER METER [kg/m]
50	4.86	3.15
65	8.81	5.13
80	18.59	8.3

Kit to connect the gearbox



The kit includes:
 1x connection flange
 4x screws + 4x lock washers
 to connect the flange
 1x locking set
 4x screws + 4x lock washers
 to connect the gearbox

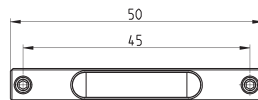


Mod.	Size	Gearbox	E1	E2	S	BCD	$\varnothing D1$	$\varnothing D2^{(M7)}$	T1	T2	M	B	Weight (g)
FR-5V-50	50	GB-060	65	65	6	52	14	40	10	-	5	7.9	130
FR-5V-65	65	GB-080	84	84	9	70	20	60	12	3.5	6	9.8	300
FR-5V-80	80	GB-120	115	115	13	100	25	80	18	4.5	10	15.8	620

Magnet kit Mod. SMS-5V-U



Supplied with:
 1x plate
 1x magnet
 2x locking screws

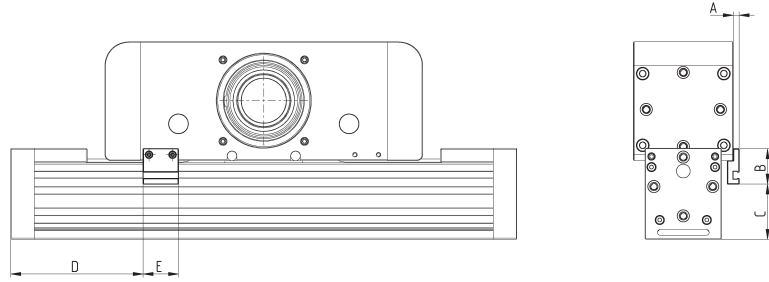


Mod.
 SMS-5V-U

Sensor holder kit Mod. SMS-5V



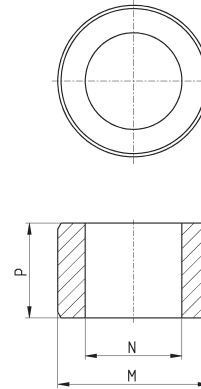
Supplied with:
1x plate
2x screws



Mod.	Size	A	B	C	D	E
SMS-5V-50	50	7.5	30	32	100	30
SMS-5V-65/80	65	5	30	47	112.5	30
SMS-5V-65/80	80	5	30	63	167.5	30

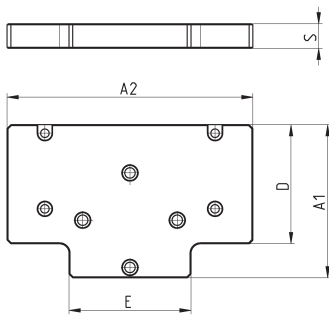
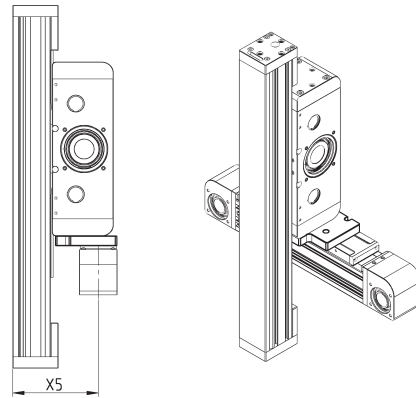
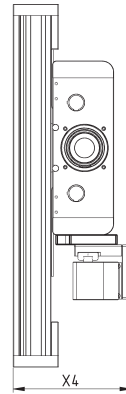
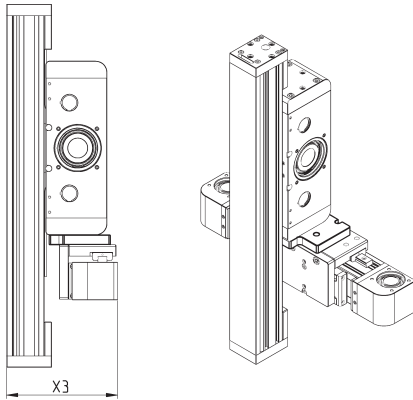
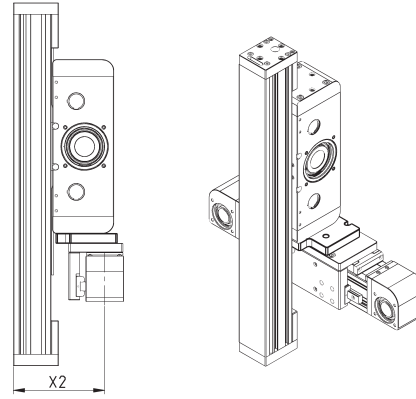
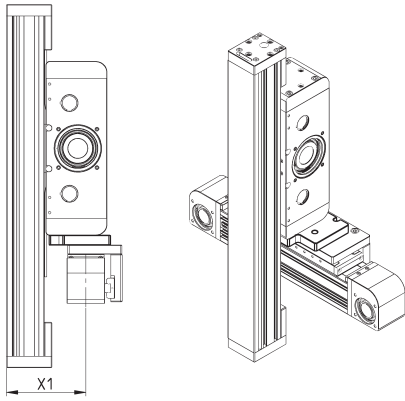
Centering ring Mod. TR-CG

Supplied with:
2x centering rings in steel



Mod.	M (h8)	N	P
TR-CG-04	Ø4	Ø2.6	2.5
TR-CG-05	Ø5	Ø3.1	3
TR-CG-06	Ø6	Ø4.1	4
TR-CG-08	Ø8	Ø5.1	5
TR-CG-10	Ø10	Ø6.1	6
TR-CG-12	Ø12	Ø8.1	6

5E/5V connection flange



Mod.	Size	X1	X2	X3	X4	X5	A1	A2	E	D	S	Weight (g)
YZ-50-5V50	50	105	121	147	156	-	81	130	64.5	63	13	335
YZ-65-5V50	65	112.5	136.5	162	179	124.5	99.5	140	64.5	76.5	13	445
YZ-65-5V65	65	130	154	179.5	196.5	-	101.5	140	84.5	76.5	13	460
YZ-80-5V50	80	120.5	146.5	185.5	196.5	133.5	118	190	64.5	78	13	635
YZ-80-5V65	80	157.5	163.5	202.5	213.5	150.5	118	190	84.5	78	15	770
YZ-80-5V80	80	141	183.5	222.5	233.5	-	120	190	99.5	78	15	825

Series DRWB drives for the control of electric actuation

Drives for Brushless motors,
sizes in power classes 100, 400, 750, 1000 W

SERIES DRWB DRIVES



- » Completely digital drives
- » PLC function programmable with the Camozzi QSet configuration software
- » Control of speed, position and torque (torque only for Series DRWB)
- » 64 positions programmable through the QSet
- » Self-compensation of errors

The Camozzi drives Series DRWB have been designed to control the movement of the Camozzi electromechanical actuators (Series 5E and Series 6E).

The servo drives DRWB, compact and especially optimized for the brushless Camozzi motors, are completely digital and available in the power classes 100, 400, 750, 1000 W. Equipped with vector mode and the function of Autotuning and containment of vibrations, they are made in such a way to easily perform replacements and to have a two-line alphanumeric display with 4 control keys on the servo drive.

A digital pulse interface allows control of the direction, position, speed and torque. It is possible to control the drives with analogic signals.

GENERAL CHARACTERISTICS

Mod. DRWB-W01-2-D-E-A, DRWB-W04-2-D-E-A, DRWB-W07-2-D-E-A, DRWB-W10-2-D-E-A	
Power	100 W (Mod. DRWB-W01-2-D-E-A) 400 W (Mod. DRWB-W04-2-D-E-A) 750 W (Mod. DRWB-W07-2-D-E-A) 1000 W (Mod. DRWB-W10-2-D-E-A)
Electrical supply	200 ÷ 240 V AC (± 10%) single or three phase 50 ÷ 60 Hz (± 5%)
Number of phases	1
Maximum current	1.5 A (Mod. DRWB-W01-2-D-E-A) 4.1 A (Mod. DRWB-W04-2-D-E-A) 7.5 A (Mod. DRWB-W07-2-D-E-A, Mod. DRWB-W10-2-D-E-A)
Logic supply	200 ÷ 240 V AC (± 10%) 50 ÷ 60 Hz (± 5%) single phase
Maximum logic current	0.5 A max.
OUTPUT CURRENT	
Continuous current (effective)	0.9 A (Mod. DRWB-W01-2-D-E-A) 2.5 A (Mod. DRWB-W04-2-D-E-A) 5.1 A (Mod. DRWB-W07-2-D-E-A, Mod. DRWB-W10-2-D-E-A)
Peak current (effective)	2.7 A (Mod. DRWB-W01-2-D-E-A) 7.5 A (Mod. DRWB-W04-2-D-E-A) 15.3 A (Mod. DRWB-W07-2-D-E-A, Mod. DRWB-W10-2-D-E-A)
Maximum duration of peak current	1 second
Type of control	IGBT PWM vector control
Controller sampling rate	Current, speed and position: 15 kHz
Motor types supported	AC servo motors
Status of LED	Red: Error Green: Ready
OPERATING MODES	
Encoder interface	Operating voltage + 5 VDC ± 5% @400 mA
Communication interface	USB 2.0
Parameterisable I/O interface	Digital Inputs [I1..I9], (single-end, optocoupler) Digital Outputs [O1..O4], (optocoupler) BRAKE Output [CN2_BRK], max. 1 A DC
Feedback	External transducer Activation threshold + HV > 370 V DC Activation threshold + HV < 360 V DC Tolerance ± 5%
Monitoring functions	Short circuit, overvoltage (> 390 V DC ± 5%), undervoltage (< 60 V DC); position error, encoder error, motor phase monitoring, overtemperature D2 (IGBT > 90 °C ± 1 °C), motor overtemperature
Autotuning	with automatic mass inertia calculation
VSF (vibration suppression)	01 Hz ÷ 200 Hz
Other functions	Friction compensation, gear play compensation
Ambient conditions	Operating temperature 0°C ÷ 40°C (above 55°C only with air conditioning) Storage temperature -20°C ÷ 65°C UAir humidity 20% ÷ 85% (non-condensing) Operating altitude < 1000 m above sea level Vibration 5.88 m/s (10 Hz ÷ 60 Hz) Protection class IP20

CODING EXAMPLE

DRWB	-	W01	-	2	-	D	-	E	-	A
-------------	----------	------------	----------	----------	----------	----------	----------	----------	----------	----------

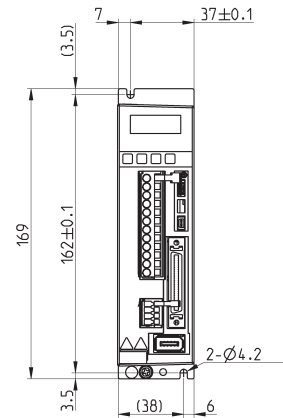
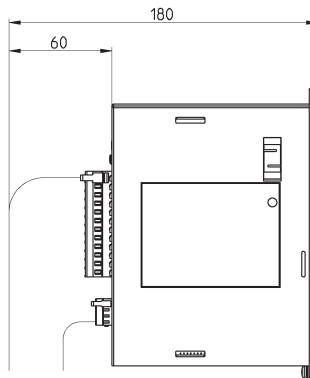
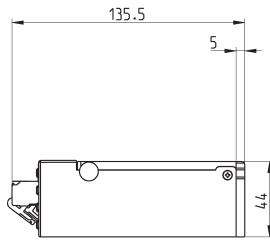
DRWB	SERIES
W01	SIZE W: W01 = 100 W W04 = 400 W W07 = 750 W W10 = 1000 W
2	SUPPLY: 2 = 220 V AC
D	COMMUNICATION: D = Digital I/O and Analog
E	FEEDBACK: E = incremental encoder 13 bit
A	VERSIONS: A = Standard

SERIES DRWB DRIVES

Drive Mod. DRWB-W01-2-D-E-A



Drive for the Camozzi Brushless motors

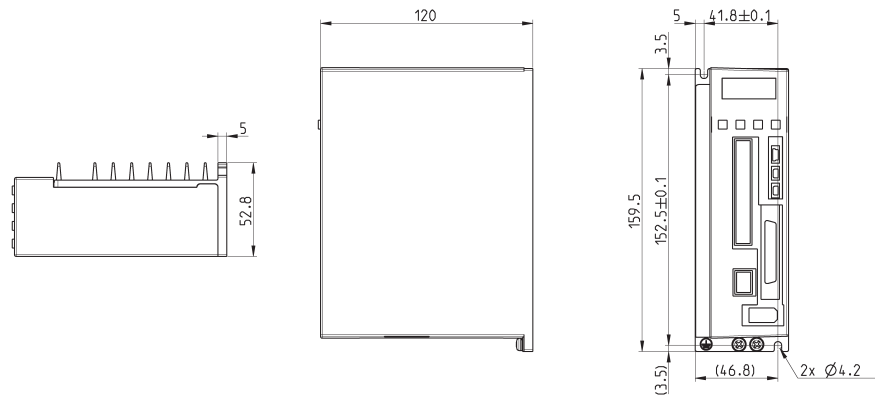


Mod.	Power	Supply	Encoder
DRWB-W01-2-D-E-A	100 W	230 V AC	13 bit

Drive Mod. DRWB-W04-2-D-E-A



Drive for the Camozzi Brushless motors

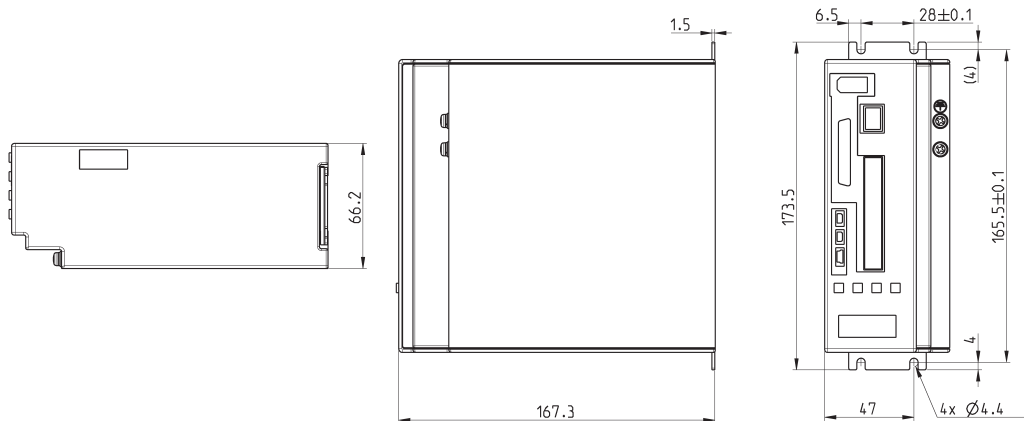


Mod.	Power	Supply	Encoder
DRWB-W04-2-D-E-A	400 W	230 V AC	13 bit

Drives Mod. DRWB-W07-2-D-E-A and Mod. DRWB-W10-2-D-E-A

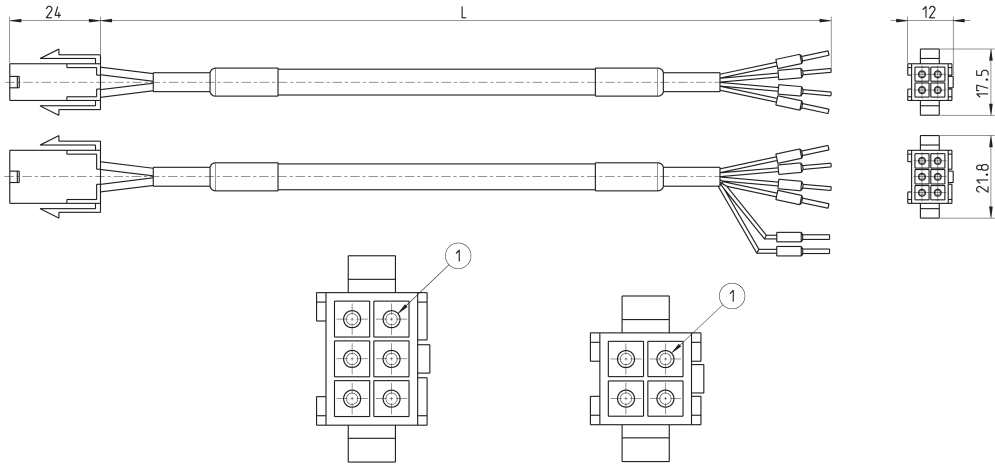


Drives for the Camozzi Brushless motors



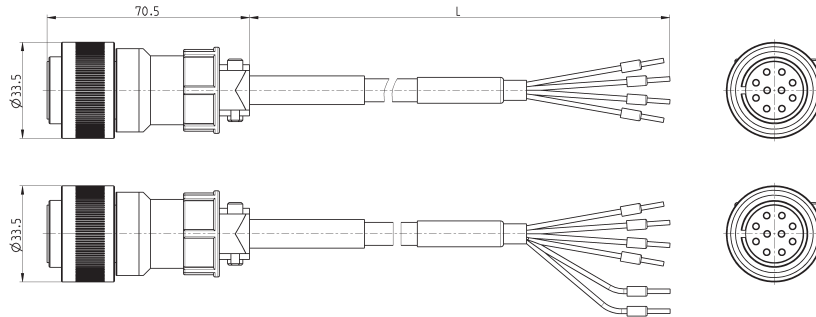
Mod.	Power	Supply	Encoder
DRWB-W07-2-D-E-A	750 W	230 V AC	13 bit
DRWB-W10-2-D-E-A	1000 W	230 V AC	13 bit

Cables for Brushless (MTB) motors, 100-400-750 W



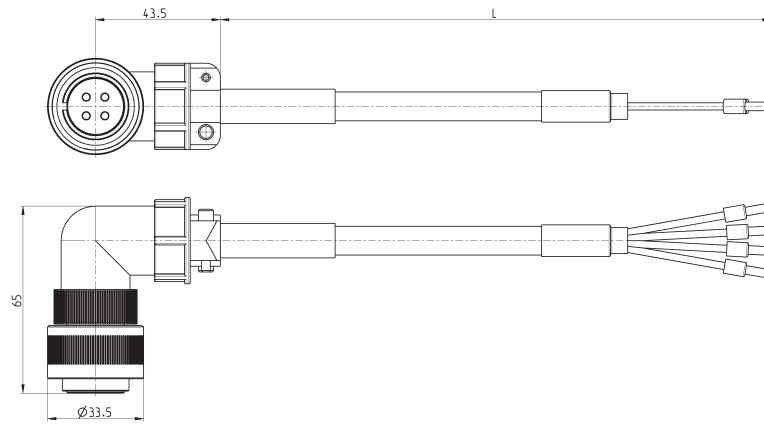
Mod.	Brake	Pins	L = cable (m)
EC-200421-B300	-	4	3
EC-200421-B500	-	4	5
EC-200421-BA00	-	4	10
EC-210621-B300	✘	6	3
EC-210621-B500	✘	6	5
EC-210621-BA00	✘	6	10

Cables for Brushless (MTB) motors, 100-400-750 W IP65



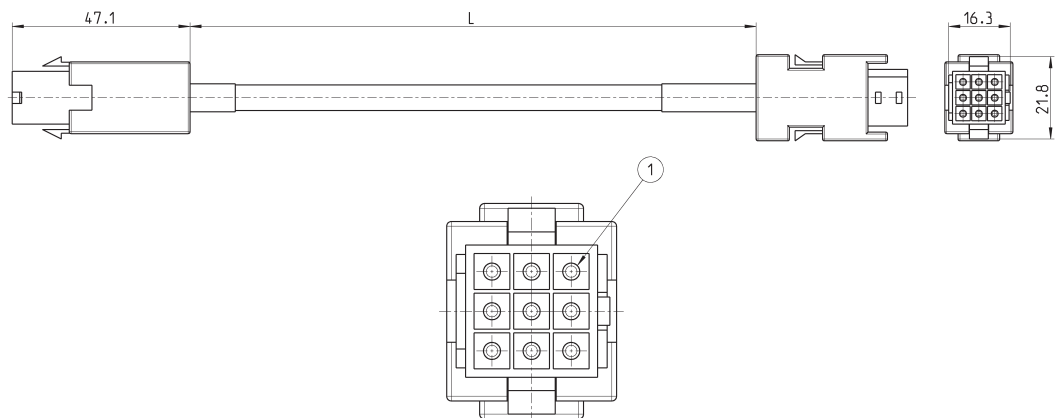
Mod.	Brake	Pins	L = cable (m)
EC-3004P1-B300	-	4	3
EC-3004P1-B500	-	4	5
EC-3004P1-BA00	-	4	10
EC-3106P1-B300	✘	6	3
EC-3106P1-B500	✘	6	5
EC-3106P1-BA00	✘	6	10

Cables for Brushless (MTB) motor, 1000W IP65



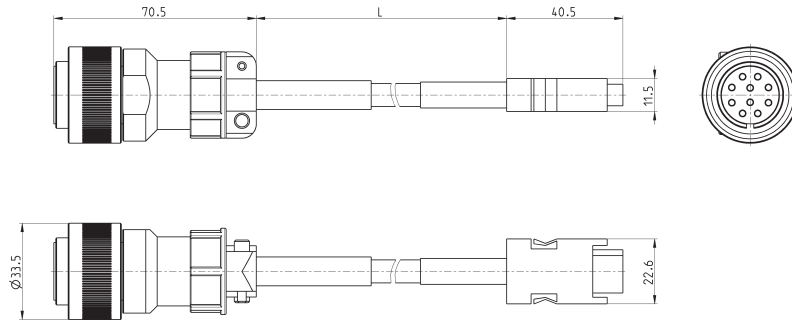
Mod.	Brake	Pins	L = cable (m)
EC-4704P1-B300	-	4	3
EC-4704P1-B500	-	4	5
EC-4704P1-BA00	-	4	10

Encoder cables for Brushless (MTB) motors, 100-400-750 W



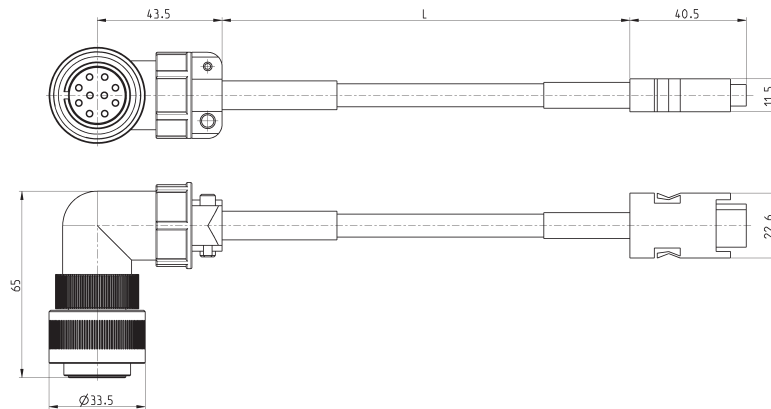
Mod.	Pins	L = cable (m)
EC-220923-B300	9	3
EC-220923-B500	9	5
EC-220923-BA00	9	10

Encoder cables for Brushless (MTB) motors, 100-400-750 W IP65



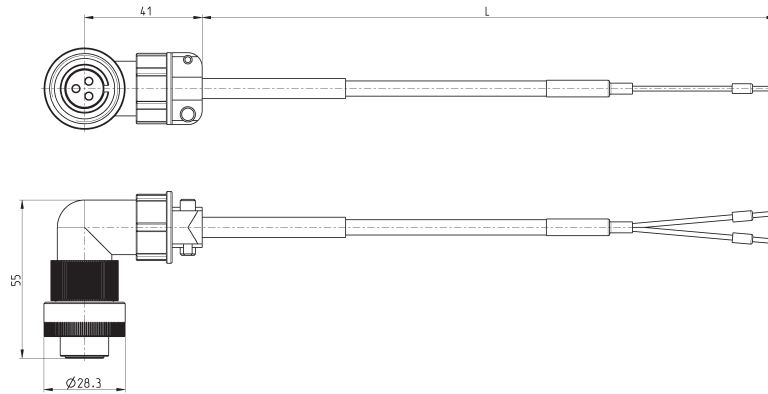
Mod.	Pins	L = cable (m)
EC-3209P3-B300	9	3
EC-3209P3-B500	9	5
EC-3209P3-BA00	9	10

Encoder cables for Brushless (MTB) motor, 1000W IP65



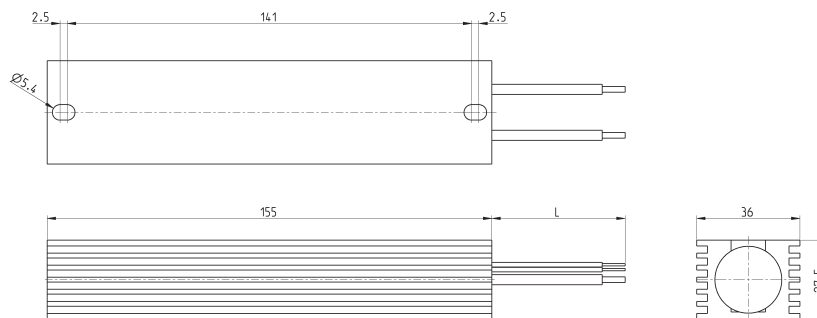
Mod.	Pins	L = cable (m)
EC-4809P3-B300	9	3
EC-4809P3-B500	9	5
EC-4809P3-BA00	9	10

Brake cables for Brushless (MTB) motor, size 1000W IP65



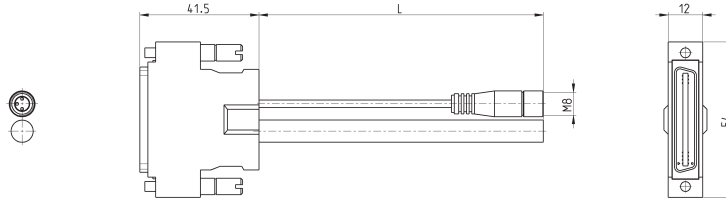
Mod.	Pins	L = cable (m)
EC-4902P1-B300	2	3
EC-4902P1-B500	2	5
EC-4902P1-BA00	2	10

Brake resistance for Brushless (MTB) motor



Mod.	Power
EC-212022	300 W

Cables for DRWB drive I/O

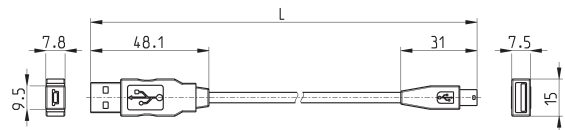


Mod.	Pins	L = cable (m)
G14W-1	50	1
G14W-3	50	3
G14W-5	50	5

USB to Mini USB cable Mod. G11W-G13W-2



For the hardware configuration of the Camozzi products



Mod.	description	connections	material for outer sheath	cable length "L" (m)
G11W-G13W-2	black shielded cable 28 AWG	standard USB to Mini USB	PVC	2

Series DRCS drives for Stepper motors

One-size full digital drives with WLAN system and NFC integrated



The Series DRCS drives, compact and optimised in one size, have been specially configured for all small and medium-sized Camozzi Stepper motors. They are capable of controlling Stepper motors with 2two-phase and micro-stepping feed. Further, they can calculate the normal resonance frequency of the motors and optimise their driving. The use of the micro-stepping control (up to 1/128 of steps) enables the drive to almost replicate a sinusoidal current while considerably reducing the natural resonance of the motor itself. The availability of eight inputs allows the realisation of a table of 256 commands, for each of which it is possible to set position, speed, acceleration and deceleration.

Each command can be absolute or relative. Through the Step and Direction commands, it is possible to control the drive in frequency mode. The frequency defines the speed, while the number of steps defines the position. The Series DRCS drives are equipped with serial protocols CANopen CiA 301 and CiA 402 through which it is possible to perform motion control and condition monitoring of the drive. To configure the drive, wired USB 2.0 or WLAN connections can be used. Thanks to an innovative system that takes advantage of Near Field Communication (NFC) technology, it is possible to extract production and statistical data on the use of the drive, which are essential parameters for industry 4.0.

- » Full digital drive with integrated PLC functions
- » Programmable with the Camozzi QSet configuration software
- » Feedback by incremental encoder
- » NFC (Near Field Communication) system enabled
- » 256 programmable positions (setting, acceleration, speed and position)
- » Wire configuration by means of USB 2.0 and WLAN BL-BLE
- » Can be controlled in frequency (step and direction), digital I/O and serial CANopen protocol

GENERAL DATA

SUPPLY VOLTAGE	
Logic	18 ÷ 32 V DC
Power	24 ÷ 60 V DC
CURRENT	
Current	0.1 ÷ 7 A
Holding current	Automatic reduction of the holding current with motor in stop mode, this function can be set according to the holding current or its delay
AMBIENT	
Operating temperature	0 ÷ 40°C (up to 55°C with forced ventilation)
Storage temperature	-20°C ÷ 70°C
Humidity	0 ÷ 90%
Altitude	< 1000 meters
Vibration	1G (10 to 500 Hz)
Protection	Overvoltage, minimum voltage, overtemperature, short-circuit or grounding on the motor
Control method	4 state PWM 20kHz
Amplification type	Dual H-Bridge, 4 Quadrants
Position control encoder	100 to 5000 differential impulses / revolution
DIGITAL I/O	
Input control signal	12 opto-isolated 24 V DC
Output control signal	6 opto-isolated
Input impulse control	Step inlet and frequency direction maximum 10kHz
Output control signal	Electromechanical brake max current 1A
COMMUNICATION INTERFACE	
USB	USB 2.0
WLAN	BL-BLE
RFID	with NFC devices
CANopen	CiA 301 and CiA 402 (interpolated position mode)
Microstep emulation	High resolution by means of microstepping and a detailed synchronization. Reduction of oscillations and of resonance vibrations
Anti-Resonance	Activation of the oscillation system in order to reduce vibrations and obtain a smooth movement, control of speed and a reduction of the time of oscillation
Led status	green led
Configuration	Digital with the Camozzi QSet configuration software
Control methods	Digital inputs Frequency CANopen
MEMORY	
Data retention memory	Flash
Configuration data backup memory	E ² prom
Weight	0.46 kg

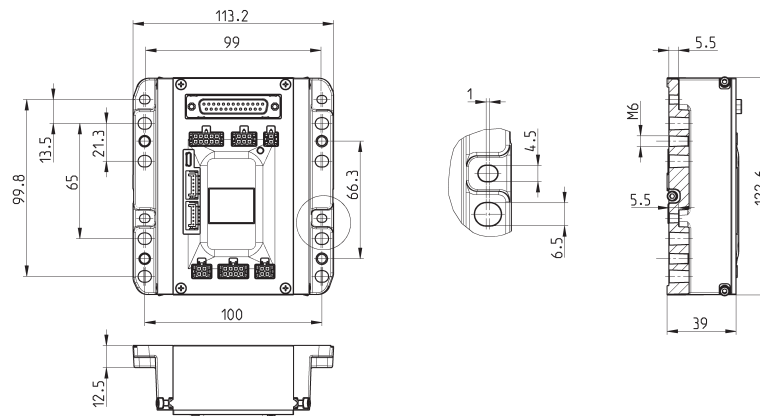
CODING EXAMPLE

DRCS	-	A05	-	8	-	D	-	0	-	A
-------------	----------	------------	----------	----------	----------	----------	----------	----------	----------	----------

DRCS	SERIES
A05	SIZE AT MAX CURRENT: A05 = 7 A
8	SUPPLY: 8 = 48 V DC
D	COMMUNICATION: D = Digital I/O and impulse frequency C = CANopen, Digital I/O and impulse frequency
0	FEEDBACK: 0 = Feedback
A	VERSIONS: A = standard B = WLAN BL-BLE

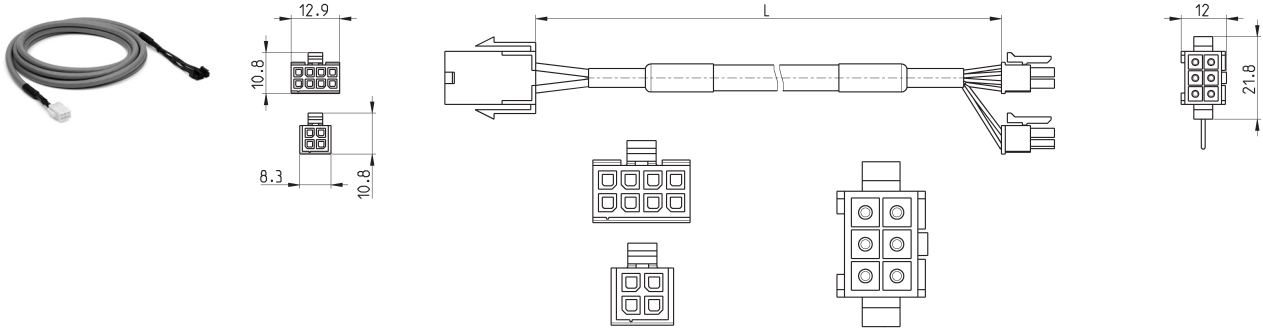
Series DRCS drives

For the Camozzi Stepper motors



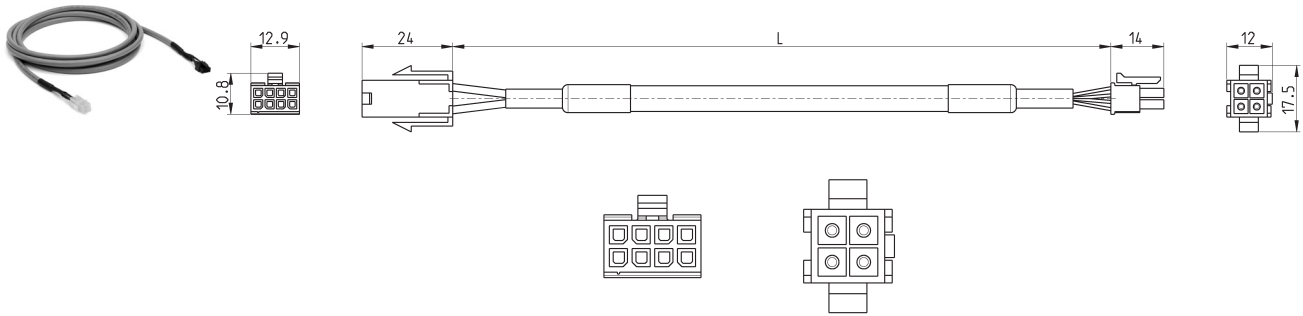
Mod.	Max current	Logic supply	Power supply	Communication	Versions
DRCS-A05-8-D-0-A	7 A	24 V DC	24 ÷ 48 V DC	Digital I/O and impulse frequency	standard
DRCS-A05-8-C-0-A	7 A	24 V DC	24 ÷ 48 V DC	CANopen, Digital I/O and impulse frequency	standard
DRCS-A05-8-D-0-B	7 A	24 V DC	24 ÷ 48 V DC	Digital I/O and impulse frequency	WLAN BL-BLE
DRCS-A05-8-C-0-B	7 A	24 V DC	24 ÷ 48 V DC	CANopen, Digital I/O and impulse frequency	WLAN BL-BLE

Motor cable for Series DRCS drive with brake



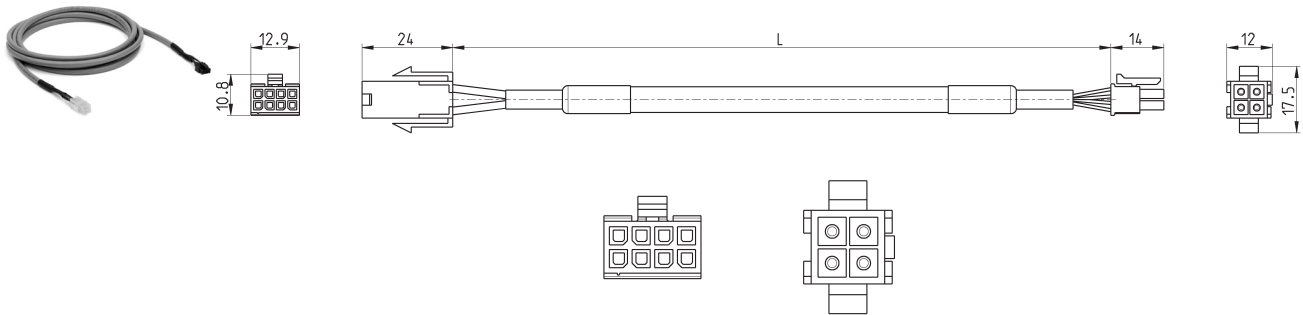
Mod.	Motor	Brake	Pins	L = cable (m)
EC-210A22-B300	Stepper	X	6	3
EC-210A22-B500	Stepper	X	6	5
EC-210A22-BA00	Stepper	X	6	10

Motor cable for Series DRCS drive without brake



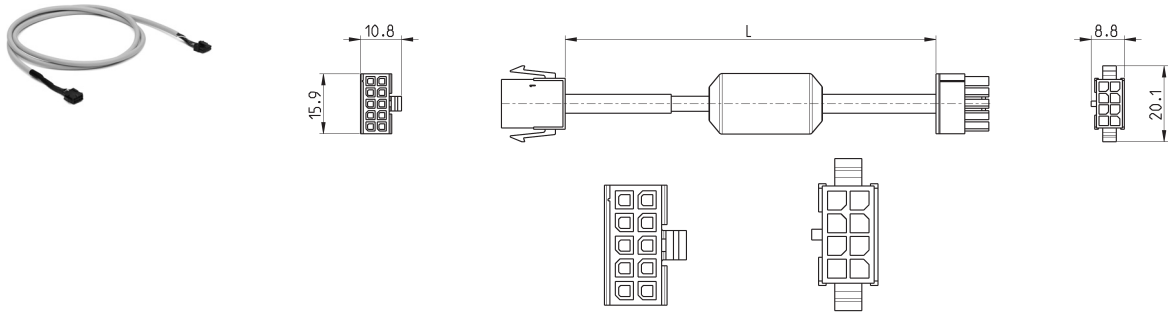
Mod.	Motor	Brake	Pins	L = cable (m)
EC-200A22-B300	Stepper	-	4	3
EC-200A22-B500	Stepper	-	4	5
EC-200A22-BA00	Stepper	-	4	10

Motor cable for Series DRCS drive without brake (Nema 34 only)



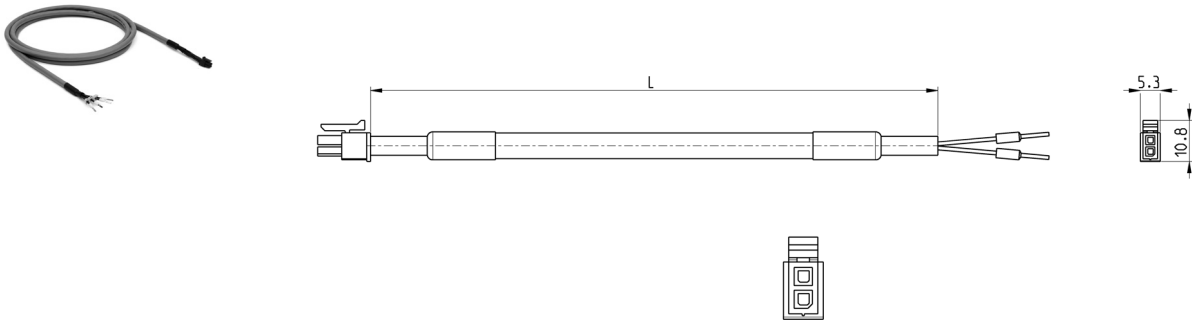
Mod.	Motor	Brake	Pins	L = cable (m)
EC-200522-B300	Stepper	-	5	3
EC-200522-B500	Stepper	-	5	5
EC-200522-BA00	Stepper	-	5	10

Encoder cable for Series DRCS drive



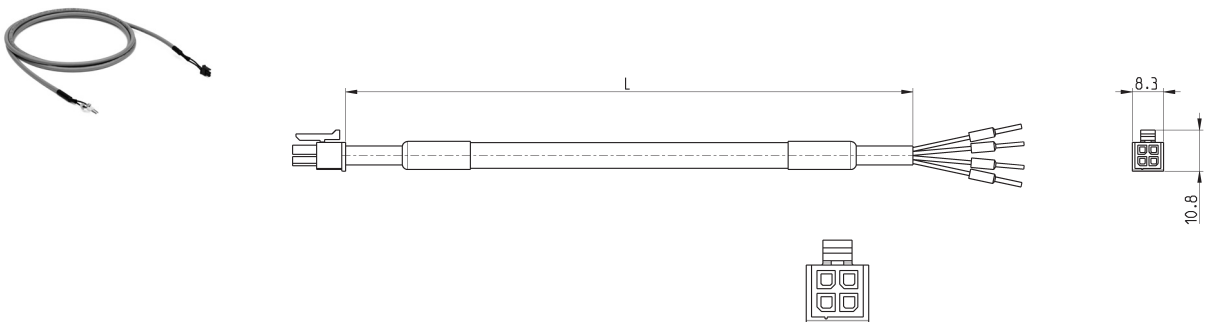
Mod.	Motor	Brake	Pins	L = cable (m)
EC-220A22-B300	Stepper	-	8	3
EC-220A22-B500	Stepper	-	8	5
EC-220A22-BA00	Stepper	-	8	10

Cable for Series DRCS drive logic supply



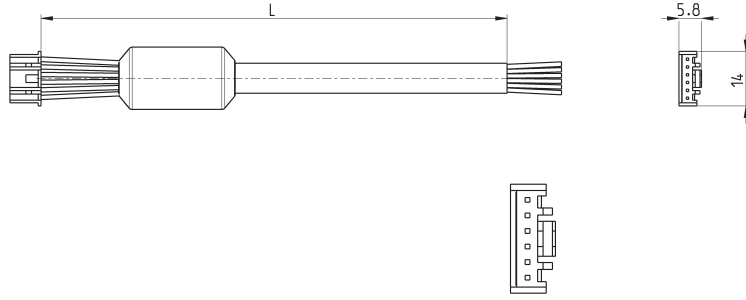
Mod.	Motor	Brake	Pins	L = cable (m)
EC-140222-A220	-	-	2	2

Cable for Series DRCS drive power supply



Mod.	Motor	Brake	Pins	L = cable (m)
EC-230422-A200	-	-	4	2

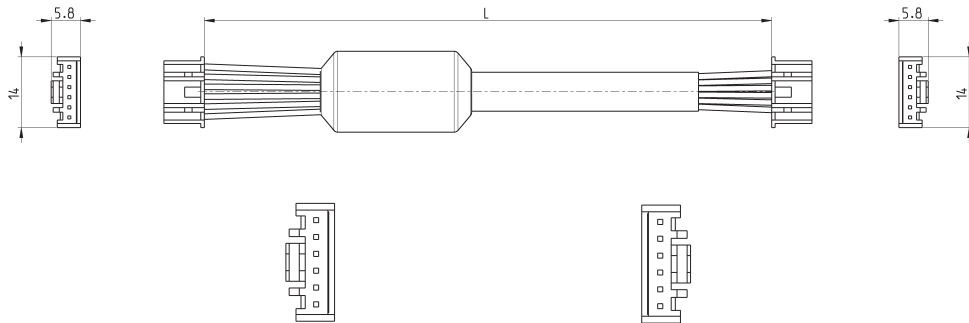
Cable for Series DRCS drive CANopen



Mod.	Motor	Brake	Pins	L = cable (m)
EC-050522-A100	-	-	6	1
EC-050522-A300	-	-	6	3
EC-050522-A500	-	-	6	5

Cable for Series DRCS drive CANopen expansion

New



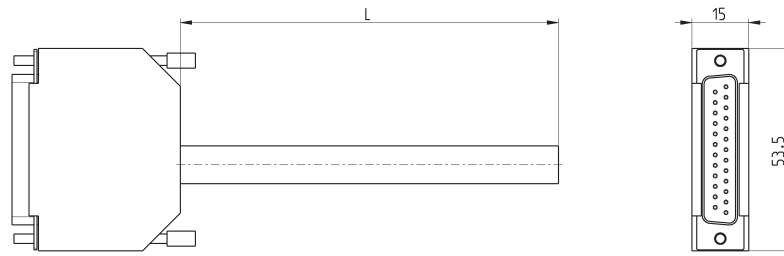
Mod.	Motor	Brake	Pins	L = cable (m)
EC-0130422-A030	-	-	6	0.3

CAN terminating resistor for Series DRCS drives



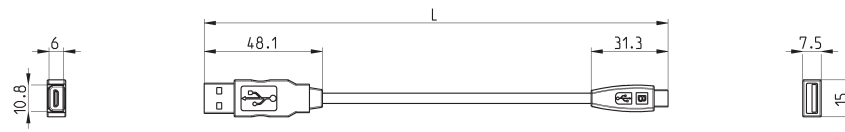
Mod.	Motor	Brake	Pins	L = cable (m)
EC-060623	-	-	6	-

Multipole I/O cable 25P M



Mod.	Motor	Brake	Pins	L = cable (m)
G2W-1	-	-	25	1
G2W-3	-	-	25	3

USB to Micro USB cable Mod. G11W-G12W-2



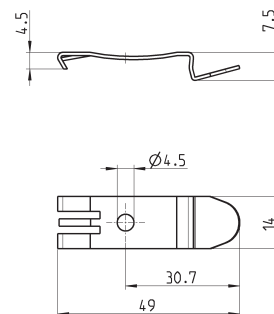
Mod.	description	connections	material for outer sheath	cable length "L" (m)
G11W-G12W-2	black shielded cable 28 AWG	standard USB to Micro USB	PVC	2

Mounting brackets for DIN rail



DIN EN 50022 (mm 7,5 x 35 - width 1)

Supplied with:
2x plates
2x screws M4x6 UNI 5931

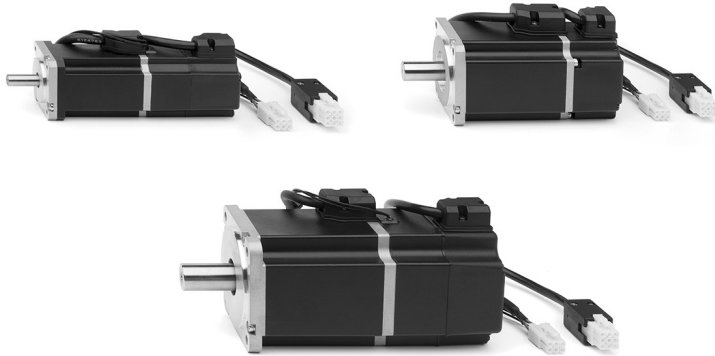


Mod.
PCF-E520

Series MTB motors for electric actuation

Brushless motors in power classes 100, 400, 750, 1000 W

SERIES MTB MOTORS



- » Low inertia motors
- » Available with or without brake
- » With incremental 13 bit encoder
- » Different sizes or power classes available
- » IP65 version available

The Camozzi motors Series MTB have been designed to be connected in an easy and practical way to the new product range within electrical actuation, being able to drive both electromechanical cylinders and axes.

The Series MTB of synchronous AC Brushless motors is available with a power of 100, 400, 750, 1000 W.

The standard motors are equipped with a 13 bit encoder with 10,000 increments per cycle and are offered with or without a motor brake. Due to the high dynamics of these motors, it is possible to guarantee a constant torque at any speed.

Due to the low mass inertia, they are particularly suitable for high work dynamics, like sudden changes in direction or high moving frequencies.

GENERAL DATA

Power	100 W (Mod. MTB-010-...) 400 W (Mod. MTB-040-...) 750 W (Mod. MTB-075-...) 1000 W (Mod. MTB-100-...)
Type of motor	permanently excited synchronous servo motor
Magnet	Neodymium, iron and boron (NdFeB)
Housing	Aluminium
Colour	black
Protection class: motor on the shaft connector	IP65 IP40 IP20
Insulation class	class A
Shaft end	no machining
Nominal torque	0.32 Nm (100 W) - 1.27 Nm (400 W) - 2.4 Nm (750 W) - 4.77 Nm (1000 W)
Peak torque	3 × nominal torque
Braking torque (only for motors with brake)	0.32 Nm (100 W) - 1.27 Nm (400 W) - 2.4 Nm (750 W) - 4.77 Nm (1000 W)
Service life	> 20.000 h (at nominal load)
Motor connection	cable (300 mm) available out of the motor
Encoder connection	cable (300 mm) available out of the encoder (motors with 1 KW power are equipped with an outgoing motor connector)
Cooling	with an integrated radiator
Thermal monitoring	not available
Encoder	incremental 13-bit TTL encoder, 10 000 pulses/revolution
Ambient temperature	0°C ÷ 40°C
Storage temperature	-15°C ÷ 70°C
Air humidity	up to 80% of relative air humidity
Max. installation height	at below 1000 metres above sea level

CODING EXAMPLE

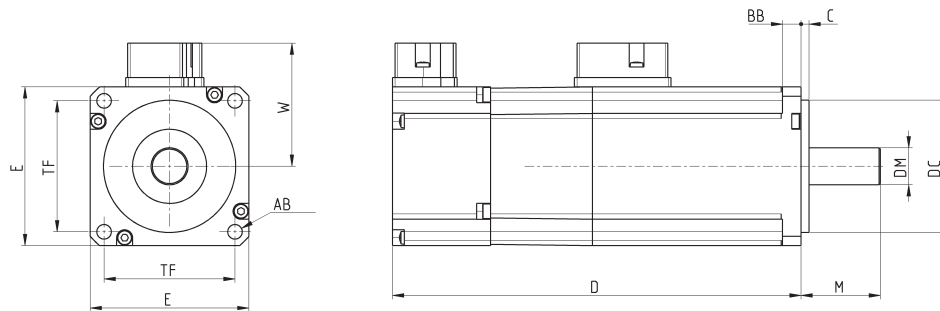
MTB	-	010	-	2	-	0	-	E
------------	----------	------------	----------	----------	----------	----------	----------	----------

MTB	SERIES
010	POWER: 010 = 100 W 040 = 400 W 075 = 750 W 100 = 1000 W
2	SUPPLY: 2 = 220 V DC
0	BRAKE: 0 = without brake F = with brake
E	ENCODER: E = incremental 13 bit
	VERSION: = Standard P = IP65

Series MTB Brushless motors - dimensions

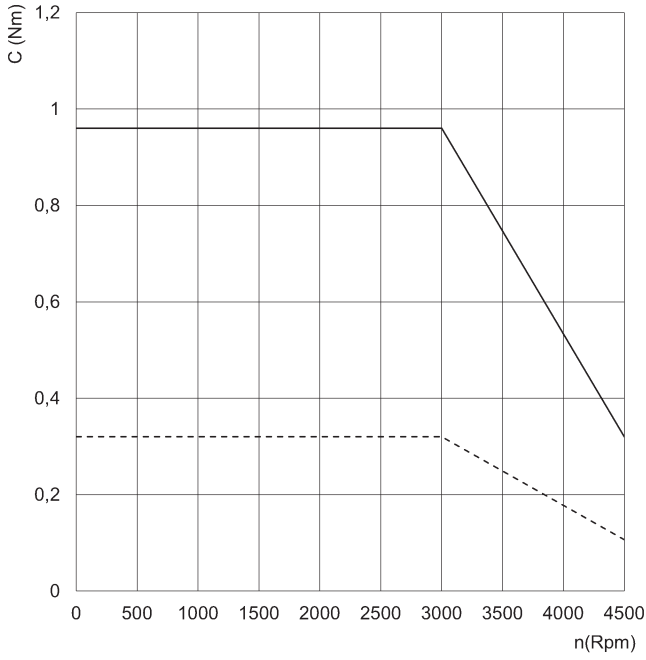


Supplied with:
1 motor
4 screws



Mod.	Power	D	E	W	$\varnothing_{DM}^{(h6)}$	M	\varnothing_{DC}	C	TF	\varnothing_{AB}	BB	Weight (Kg)
MTB-010-2-0-E	100 W	110.5	42	32	8	25	30 f7	2.5	31.8	3.4	12	0.63
MTB-010-2-0-EP	100 W	110.5	42	32	8	25	30 f7	2.5	31.8	3.4	12	0.75
MTB-010-2-F-E	100 W	139	42	32	8	25	30 f7	2.5	31.8	3.4	12	0.76
MTB-010-2-F-EP	100 W	139	42	32	8	25	30 f7	2.5	31.8	3.4	12	0.9
MTB-040-2-0-E	400 W	121.5	60	46.5	14	30	50 h7	3	49.5	5.5	7.5	1.31
MTB-040-2-0-EP	400 W	121.5	60	46.5	14	30	50 h7	3	49.5	5.5	7.5	1.4
MTB-040-2-F-E	400 W	159	60	46.5	14	30	50 h7	3	49.5	5.5	7.5	1.86
MTB-040-2-F-EP	400 W	159	60	46.5	14	30	50 h7	3	49.5	5.5	7.5	1.95
MTB-075-2-0-E	750 W	140	80	56.5	19	40	70 f6	3	63.6	6.6	9	2.66
MTB-075-2-0-EP	750 W	140	80	56.5	19	40	70 f6	3	63.6	6.6	9	2.75
MTB-075-2-F-E	750 W	176	80	56.5	19	40	70 f6	3	63.6	6.6	9	3.32
MTB-075-2-F-EP	750 W	176	80	56.5	19	40	70 f6	3	63.6	6.6	9	3.45
MTB-100-2-0-EP	1000 W	141	130	113	24	55	110	3	102.5	9	12	5.8
MTB-100-2-F-EP	1000 W	175	130	113	24	55	110	3	102.5	9	12	7.7

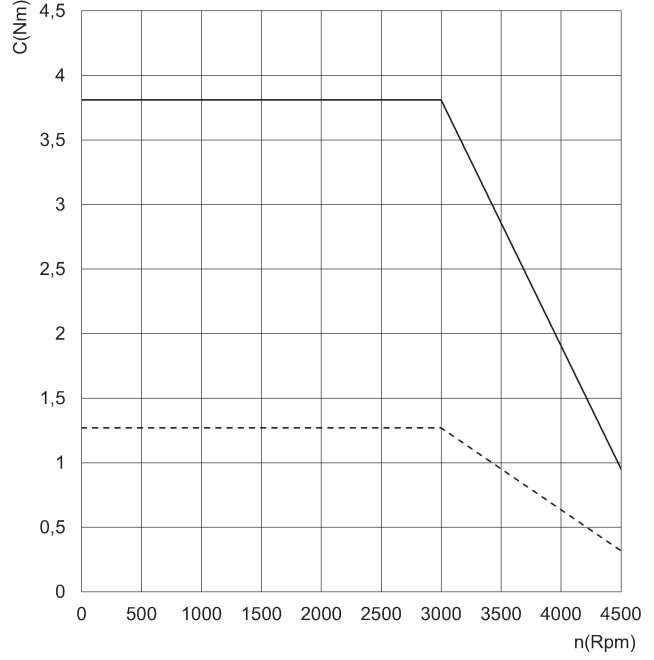
Torque-speed curves



MTB-010..

C = torque
n = number of revolutions per minute

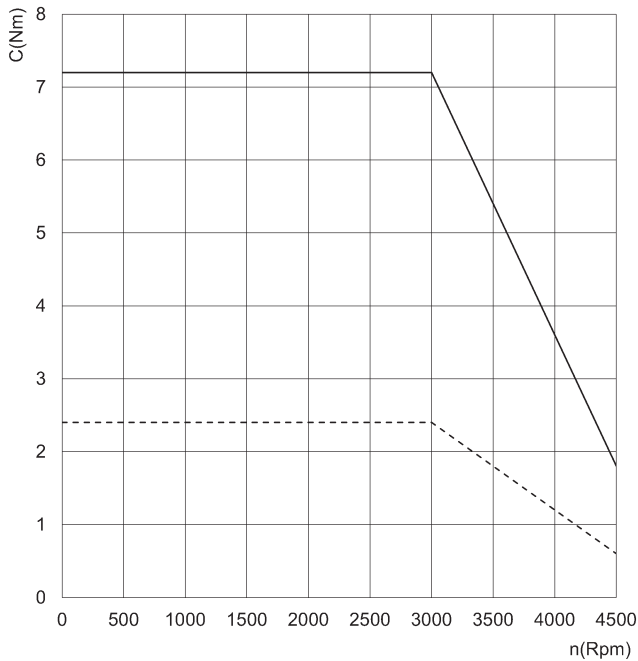
The continuous line represents the peak torque of the motor.
The dashed line represents the nominal torque of the motor.



MTB-040..

C = torque
n = number of revolutions per minute

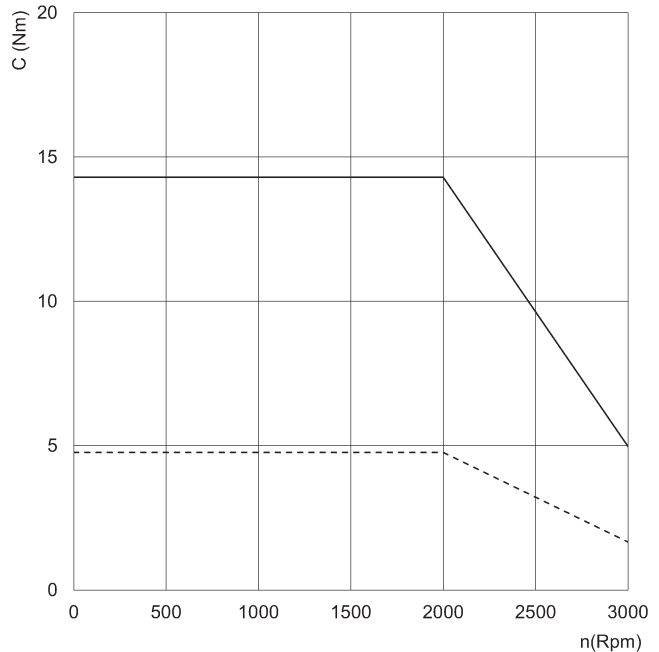
The continuous line represents the peak torque of the motor.
The dashed line represents the nominal torque of the motor.



MTB-075..

C = torque
n = number of revolutions per minute

The continuous line represents the peak torque of the motor.
The dashed line represents the nominal torque of the motor.



MTB-100..

C = torque
n = number of revolutions per minute

The continuous line represents the peak torque of the motor.
The dashed line represents the nominal torque of the motor.

Series MTS motors for electric actuation

Stepper motors with Nema 23, 24, 34 fixing flange



- » Low inertia motors
- » Different sizes or power classes available
- » Version with incremental encoder
- » Version with incremental encoder and brake
- » IP65 version available

The new Camozzi motors Series MTS have been designed to be connected in an easy and practical way to the new product range within electrical actuation, being able to drive both electromechanical cylinders and axes.

The new Series MTS electrical Stepper motors are available in the sizes Nema 23, Nema 24 and Nema 34. Each motor version comes with its own driving version that is interfaceable with the QSet configuration software, especially developed by Camozzi in order to simplify the setting up of the electric actuator.

GENERAL DATA

	Models: MTS-23-18-060-0-0-S-C MTS-23-18-060-0-0-E-C MTS-23-18-060-0-F-E-C MTS-23-18-120-0-0-S-CP	Models: MTS-24-18-250-0-0-S-C MTS-24-18-250-0-0-E-C MTS-24-18-250-0-F-E-C MTS-24-18-250-0-0-S-CP	Models: MTS-34-18-701-0-0-S-C
Shaft	single	single	single
Leads	4	4	5
Length	41 mm	85 mm	125.5 mm
Holding torque	0.6 Nm 0.6 Nm/1.2 Nm (Nema 23 IP65 only)	2.5 Nm	7.1 Nm
Current per phase	4.5 A/Phase	4.5 A/Phase	7 A/Phase
Resistance	0.48 Ω/Phase	0.65 Ω/Phase	0.49 Ω/Phase
Motor inertia	135 g·cm ²	900 g·cm ²	2750 g·cm ²
Dielectric strength	500 V AC/min	500 V AC/min	500 V AC/min

CODING EXAMPLE

MTS	-	23	-	18	-	060	-	0	-	0	-	S	-	C
------------	----------	-----------	----------	-----------	----------	------------	----------	----------	----------	----------	----------	----------	----------	----------

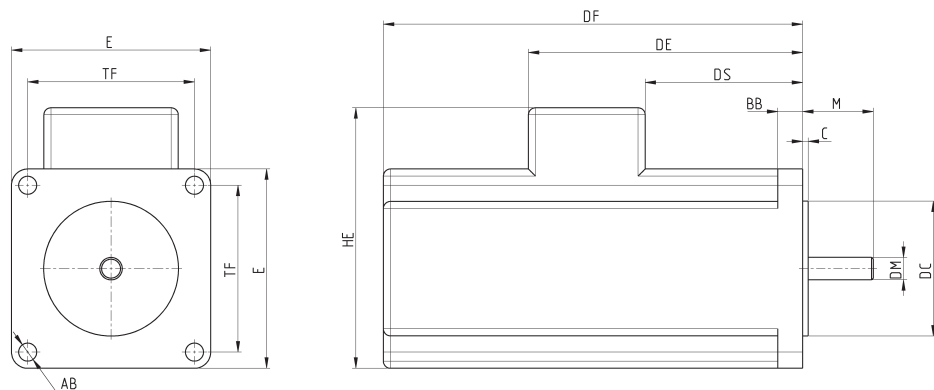
MTS	SERIES
23	MOTOR SIZE FLANGE CONNECTION: 23 = Nema 23 24 = Nema 24 34 = Nema 34
18	RESOLUTION IN DEGREES PER REVOLUTION: 18 = 1.8° per step
060	TORQUE: 060 = 0.6 Nm with Nema 23 only 120 = 1.2 Nm with Nema 23 IP65 only 250 = 2.5 Nm with Nema 24 only 701 = 7.1 Nm with Nema 34 only
0	ELECTRICAL CONNECTION: 0 = connector
0	BRAKE: 0 = without brake F = with brake
S	ENCODER VARIANTS: S = single shaft without encoder E = single shaft with encoder (SIZE Nema 23 and 24 only)
C	MECHANICAL SHAFT VARIANTS: C = cylindrical shaft
	VERSION: = Standard P = IP65

SERIES MTS MOTORS

Series MTS Stepper motors - dimensions

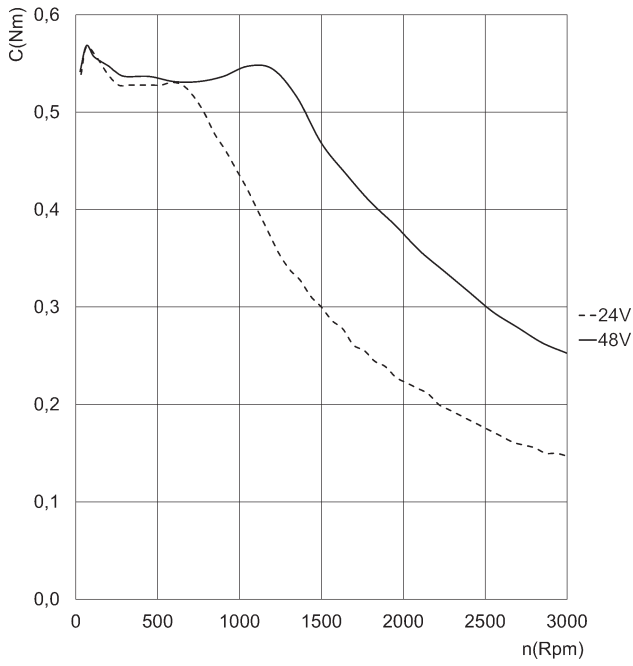


Supplied with:
1 motor
4 screws



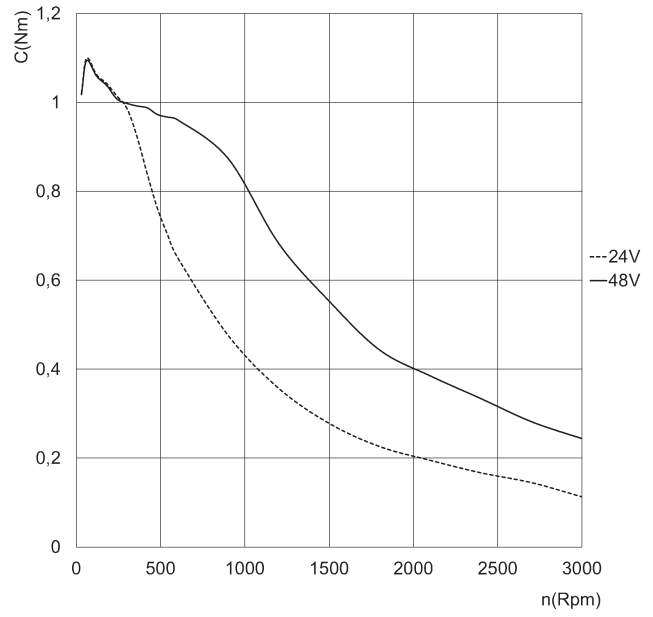
Mod.	Brake	Encoder	Nema	DS	DE	DF	HE	E	L	DM ^(h7)	M	DC ^(H10)	C	TF	AB	BB	Weight (Kg)
MTS-23-18-060-0-0-S-C	-	-	23	-	-	41	-	56.4	300 ± 10	6.35	20.6	38.1	1.6	47.14	5.1	5	0.42
MTS-23-18-120-0-0-S-CP	-	-	23	41	-	-	-	56.4	300 ± 10	6.35	20.6	38.1	1.6	47.14	5.1	7	0.8
MTS-23-18-060-0-0-E-C	-	×	23	31.5	-	64.5	73.6	56.4	200 ± 50	6.35	20.6	38.1	1.6	47.14	5.1	7	0.42
MTS-23-18-060-0-F-E-C	×	×	23	31.5	64.5	105.5	73.6	56.4	200 ± 50	6.35	20.6	38.1	1.6	47.14	5.1	7	0.62
MTS-24-18-250-0-0-S-C	-	-	24	-	-	85	-	60	300 ± 10	8	20.6	38.1	1.5	47.14	4.5	7	1.41
MTS-24-18-250-0-0-S-CP	-	-	24	95	-	-	-	60	300 ± 10	8	20.6	38.1	1.5	47.14	4.5	8	1.6
MTS-24-18-250-0-0-E-C	-	×	24	78	-	111	77.4	60	200 ± 50	8	20.6	38.1	1.5	47.14	4.5	8	1.41
MTS-24-18-250-0-F-E-C	×	×	24	78	111	152	77.4	60	200 ± 50	8	20.6	38.1	1.5	47.14	4.5	8	1.62
MTS-34-18-701-0-0-S-C	-	-	34	125.5	-	-	98	86	300 ± 10	14	37	73	2	69.6	6.5	10	3.8

Torque-speed curves



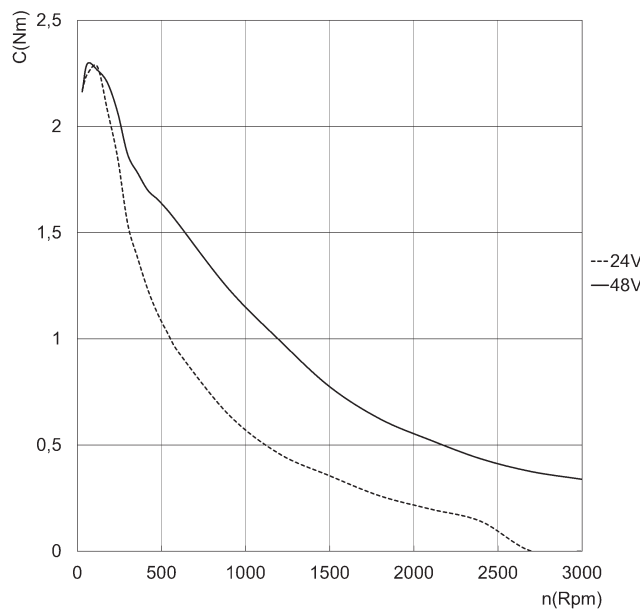
Nema 23 motors
 Mod. MTS-23-18-060-0-0-S-C
 Mod. MTS-23-18-060-0-0-E-C
 Mod. MTS-23-18-060-0-F-E-C

C = torque [Nm]
 n = revolutions per minute [Rpm]



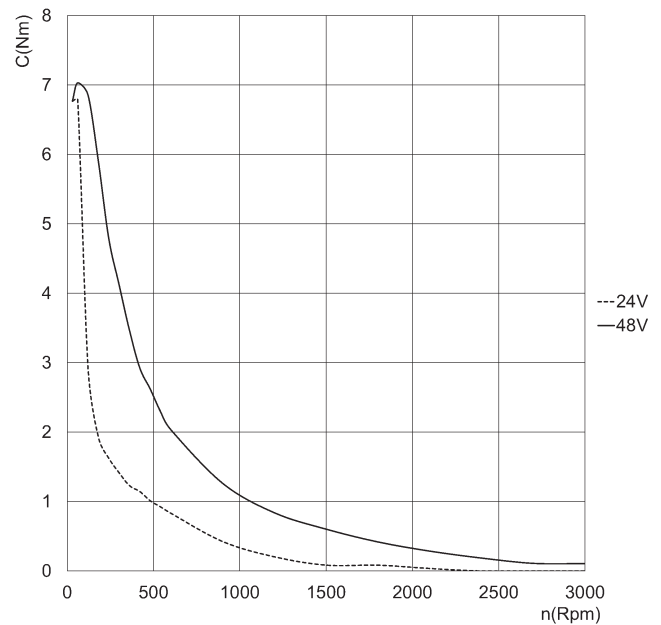
Nema 23 motors IP65
 Mod. MTS-23-18-120-0-0-S-CP

C = torque [Nm]
 n = revolutions per minute [Rpm]



Nema 24 motors
 Mod. MTS-24-18-250-0-0-S-C
 Mod. MTS-24-18-250-0-0-E-C
 Mod. MTS-24-18-250-0-F-E-C
 Mod. MTS-24-18-250-0-0-S-CP

C = torque [Nm]
 n = revolutions per minute [Rpm]



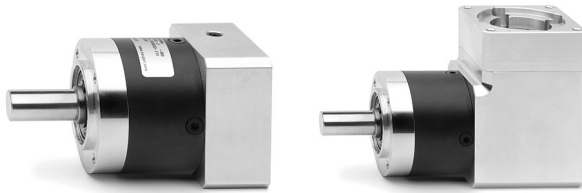
Nema 34 motors
 Mod. MTS-34-18-701-0-0-S-C

C = torque [Nm]
 n = revolutions per minute [Rpm]

Series GB planetary gearboxes

Available sizes: 40, 60, 80, 120

SERIES GB PLANETARY GEARBOXES



- » Reduced play
- » Prepared to be connected with Series MTB and Series MTS motors
- » High performance
- » 4 Reduction ratios available (i=3,5,7,10)
- » Silent operation
- » Any mounting position
- » Lifetime lubrication
- » Available in in-line and orthogonal configurations

The Series GB planetary gearboxes, by means of a planetary gear system, enable the reduction of the angular speed and the increase of transmittable torque. These gearboxes can be used with the Series 5E and 5V electromechanical axes and with the Series 6E electromechanical cylinders.

Available in 4 sizes with 4 different reduction ratios, the Series GB planetary gearboxes can be supplied in two different configurations, in-line or orthogonal.

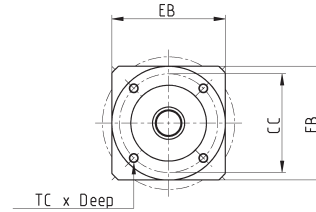
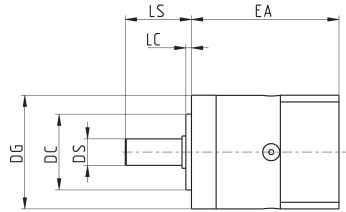
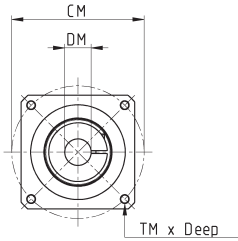
All gearboxes are equipped with interface flanges for the connection to the Camozzi Series MTB and Series MTS motors.

CODING EXAMPLE

GB	-	040	-	03	-	D	-	0100
-----------	---	------------	---	-----------	---	----------	---	-------------

GB	GEARBOX
040	SIZE: 040 = Ø40 060 = Ø60 080 = Ø80 120 = Ø120
03	REDUCTION RATIO: 03 i = 3 05 i = 5 07 i = 7 10 i = 10
D	TYPE: D = straight A = angular
0100	PREPARATION OF THE MOTOR: 0100 = Brushless 100W (size 040 only) 0400 = Brushless 400W (size 060 only) 0750 = Brushless 750W (size 080 only) 1000 = Brushless 1000W (size 120 only) 0024 = Nema 24

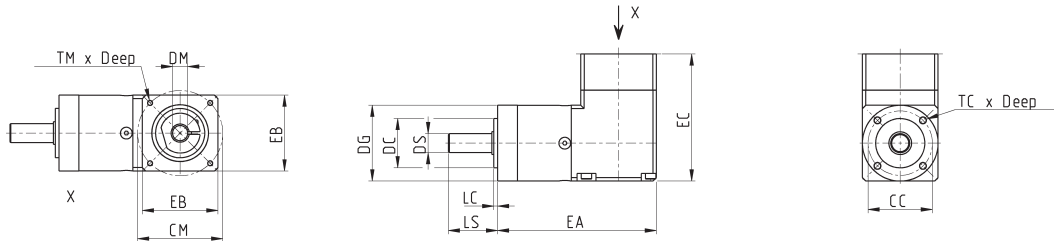
IN-LINE PLANETARY GEARBOX



SERIES GB PLANETARY GEARBOXES

Mod.	BACKLASH	$\phi_{DS}^{(h7)}$	LS	$\phi_{DC}^{(h7)}$	LC	ϕ_{CC}	TC x Deep	EA	EB	ϕ_{DG}	ϕ_{DM}	ϕ_{CM}	TM x Deep	Weight (Kg)
GB-040-03-D-0100	<15'	10	26	26	2	34	M4 x 6	67.5	40	40	8	45	M3 x 8	0.35
GB-040-05-D-0100	<15'	10	26	26	2	34	M4 x 6	67.5	40	40	8	45	M3 x 8	0.35
GB-040-07-D-0100	<15'	10	26	26	2	34	M4 x 6	67.5	40	40	8	45	M3 x 8	0.35
GB-040-10-D-0100	<15'	10	26	26	2	34	M4 x 6	67.5	40	40	8	45	M3 x 8	0.35
GB-040-03-D-0024	<15'	10	26	26	2	34	M4 x 6	63.5	60	40	8	66.7	M4 x 10	0.35
GB-040-05-D-0024	<15'	10	26	26	2	34	M4 x 6	63.5	60	40	8	66.7	M4 x 10	0.35
GB-040-07-D-0024	<15'	10	26	26	2	34	M4 x 6	63.5	60	40	8	66.7	M4 x 10	0.35
GB-040-10-D-0024	<15'	10	26	26	2	34	M4 x 6	63.5	60	40	8	66.7	M4 x 10	0.35
GB-060-03-D-0400	<10'	14	35	40	3	52	M5 x 8	78	60	60	14	70	M5 x 12	0.9
GB-060-05-D-0400	<10'	14	35	40	3	52	M5 x 8	78	60	60	14	70	M5 x 12	0.9
GB-060-07-D-0400	<10'	14	35	40	3	52	M5 x 8	78	60	60	14	70	M5 x 12	0.9
GB-060-10-D-0400	<10'	14	35	40	3	52	M5 x 8	78	60	60	14	70	M5 x 12	0.9
GB-060-03-D-0024	<10'	14	35	40	3	52	M5 x 8	71	60	60	8	66.7	M4 x 10	0.9
GB-060-05-D-0024	<10'	14	35	40	3	52	M5 x 8	71	60	60	8	66.7	M4 x 10	0.9
GB-060-07-D-0024	<10'	14	35	40	3	52	M5 x 8	71	60	60	8	66.7	M4 x 10	0.9
GB-060-10-D-0024	<10'	14	35	40	3	52	M5 x 8	71	60	60	8	66.7	M4 x 10	0.9
GB-080-03-D-0750	<7'	20	40	60	3	70	M6 x 10	103.5	80	80	19	90	M6 x 15	2.1
GB-080-05-D-0750	<7'	20	40	60	3	70	M6 x 10	103.5	80	80	19	90	M6 x 15	2.1
GB-080-07-D-0750	<7'	20	40	60	3	70	M6 x 10	103.5	80	80	19	90	M6 x 15	2.1
GB-080-10-D-0750	<7'	20	40	60	3	70	M6 x 10	103.5	80	80	19	90	M6 x 15	2.1
GB-080-03-D-0024	<7'	20	40	60	3	70	M6 x 10	93.5	80	80	8	66.7	M4 x 10	2.1
GB-080-05-D-0024	<7'	20	40	60	3	70	M6 x 10	93.5	80	80	8	66.7	M4 x 10	2.1
GB-080-07-D-0024	<7'	20	40	60	3	70	M6 x 10	93.5	80	80	8	66.7	M4 x 10	2.1
GB-080-10-D-0024	<7'	20	40	60	3	70	M6 x 10	93.5	80	80	8	66.7	M4 x 10	2.1
GB-120-03-D-1000	<7'	25	55	80	4	100	M10 x 16	136.5	130	115	24	145	M8 x 18	6
GB-120-05-D-1000	<7'	25	55	80	4	100	M10 x 16	136.5	130	115	24	145	M8 x 18	6
GB-120-07-D-1000	<7'	25	55	80	4	100	M10 x 16	136.5	130	115	24	145	M8 x 18	6
GB-120-10-D-1000	<7'	25	55	80	4	100	M10 x 16	136.5	130	115	24	145	M8 x 18	6

ORTHOGONAL PLANETARY GEARBOX



Mod.	BACKLASH	$\delta_{DS}^{(h7)}$	LS	$\delta_{DC}^{(h7)}$	LC	δ_{CC}	TC x Deep	EA	EB	EC	δ_{DG}	δ_{DM}	δ_{CM}	TM x Deep	Weight (Kg)
GB-040-03-A-0100	<21'	10	26	26	2	34	M4 x 6	84	40	67	40	8	45	M3 x 7	0.51
GB-040-05-A-0100	<21'	10	26	26	2	34	M4 x 6	84	40	67	40	8	45	M3 x 7	0.51
GB-040-07-A-0100	<21'	10	26	26	2	34	M4 x 6	84	40	67	40	8	45	M3 x 7	0.51
GB-040-10-A-0100	<21'	10	26	26	2	34	M4 x 6	84	40	67	40	8	45	M3 x 7	0.51
GB-040-03-A-0024	<21'	10	26	26	2	34	M4 x 6	84	60	63	40	8	66.7	M4 x 7	0.51
GB-040-05-A-0024	<21'	10	26	26	2	34	M4 x 6	84	60	63	40	8	66.7	M4 x 7	0.51
GB-040-07-A-0024	<21'	10	26	26	2	34	M4 x 6	84	60	63	40	8	66.7	M4 x 7	0.51
GB-040-10-A-0024	<21'	10	26	26	2	34	M4 x 6	84	60	63	40	8	66.7	M4 x 7	0.51
GB-060-03-A-0400	<16'	14	35	40	3	52	M5 x 8	112	60	92.5	60	14	70	M5 x 12	1.7
GB-060-05-A-0400	<16'	14	35	40	3	52	M5 x 8	112	60	92.5	60	14	70	M5 x 12	1.7
GB-060-07-A-0400	<16'	14	35	40	3	52	M5 x 8	112	60	92.5	60	14	70	M5 x 12	1.7
GB-060-10-A-0400	<16'	14	35	40	3	52	M5 x 8	112	60	92.5	60	14	70	M5 x 12	1.7
GB-060-03-A-0024	<16'	14	35	40	3	52	M5 x 8	71	60	85.5	60	8	66.7	M4 x 10	1.7
GB-060-05-A-0024	<16'	14	35	40	3	52	M5 x 8	71	60	85.5	60	8	66.7	M4 x 10	1.7
GB-060-07-A-0024	<16'	14	35	40	3	52	M5 x 8	71	60	85.5	60	8	66.7	M4 x 10	1.7
GB-060-10-A-0024	<16'	14	35	40	3	52	M5 x 8	71	60	85.5	60	8	66.7	M4 x 10	1.7
GB-080-03-A-0750	<13'	20	40	60	3	70	M6 x 10	144	80	119.5	80	19	90	M6 x 15	4.4
GB-080-05-A-0750	<13'	20	40	60	3	70	M6 x 10	144	80	119.5	80	19	90	M6 x 15	4.4
GB-080-07-A-0750	<13'	20	40	60	3	70	M6 x 10	144	80	119.5	80	19	90	M6 x 15	4.4
GB-080-10-A-0750	<13'	20	40	60	3	70	M6 x 10	144	80	119.5	80	19	90	M6 x 15	4.4
GB-080-03-A-0024	<13'	20	40	60	3	70	M6 x 10	144	80	109.5	80	8	66.7	M4 x 10	4.4
GB-080-05-A-0024	<13'	20	40	60	3	70	M6 x 10	144	80	109.5	80	8	66.7	M4 x 10	4.4
GB-080-07-A-0024	<13'	20	40	60	3	70	M6 x 10	144	80	109.5	80	8	66.7	M4 x 10	4.4
GB-080-10-A-0024	<13'	20	40	60	3	70	M6 x 10	144	80	109.5	80	8	66.7	M4 x 10	4.4
GB-120-03-A-1000	<11'	25	55	80	4	100	M10 x 16	194.5	130	160.5	115	24	145	M8 x 18	12
GB-120-05-A-1000	<11'	25	55	80	4	100	M10 x 16	194.5	130	160.5	115	24	145	M8 x 18	12
GB-120-07-A-1000	<11'	25	55	80	4	100	M10 x 16	194.5	130	160.5	115	24	145	M8 x 18	12
GB-120-10-A-1000	<11'	25	55	80	4	100	M10 x 16	194.5	130	160.5	115	24	145	M8 x 18	12

Series CO motion transmission devices

- Mod. COE: elastomer coupling with clamps
- Mod. COS: elastomer coupling with expansion shaft
- Mod. COT: self-centering locking-set

SERIES CO MOTION TRANSMISSION DEVICES



The motion transmission devices are necessary for a proper connection of electromechanical axes and cylinders with motors or gearboxes.

Mod. COE couplings are composed of two hubs with a high concentricity clamp and an elastomeric element.

Mod. COS couplings are composed of one hub with a high concentricity clamp, a hub with expansion shaft and an elastomeric element.

The torque transmission is performed without angular play or vibrations. Both couplings are without angular play thanks to the pretensioning of the elastomer between the two semi-couplings.

Mod. COT locking-sets are composed by an internal and an external conical ring connected with each other by means of several screws. Through the tightening of the screws, an axial force is generated that enables the torque transmission from the shaft to the hub.

AVAILABLE STANDARD DIAMETERS

Size	6.35	8	10	11	12	14	15	16	19	20	24	25	32
5	x	x	x	x									
10	x	x	x		x	x	x	x					
20					x	x	x	x	x	x	x		
60						x		x	x	x	x	x	x

MOD. COE CODING EXAMPLE

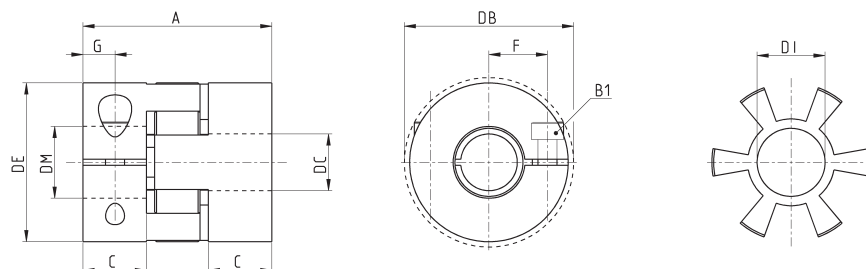
COE	-	10	-	1200	-	1400	-	A
-----	---	----	---	------	---	------	---	---

COE	SERIES MODEL
10	SIZE: 05 10 20 60
1200	<p>HOLE DIAMETER 1:</p> <p>0635 = 6,35 mm (for sizes 5 and 10 only) 0800 = 8,00 mm (for sizes 5 and 10 only) 1000 = 10,00 mm (for sizes 5 and 10 only) 1100 = 11,00 mm (for size 5 only) 1200 = 12,00 mm (for sizes 10 and 20 only) 1400 = 14,00 mm (for sizes 10, 20 and 60 only) 1500 = 15,00 mm (for sizes 10 and 20 only)</p> <p>1600 = 16,00 mm (for sizes 10, 20 and 60 only) 1900 = 19,00 mm (for sizes 20 and 60 only) 2000 = 20,00 mm (for sizes 20 and 60 only) 2400 = 24,00 mm (for sizes 20 and 60 only) 2500 = 25,00 mm (for size 60 only) 3200 = 32,00 mm (for size 60 only)</p>
1400	<p>HOLE DIAMETER 2:</p> <p>0635 = 6.35mm (for sizes 5 and 10 only) 0800 = 8.00mm (for sizes 5 and 10 only) 1000 = 10.00mm (for sizes 5 and 10 only) 1100 = 11.00mm (for size 5 only) 1200 = 12.00mm (for sizes 10 and 20 only) 1400 = 14.00mm (for sizes 10, 20 and 60 only) 1500 = 15.00mm (for sizes 10 and 20 only)</p> <p>1600 = 16.00mm (for sizes 10, 20 and 60 only) 1900 = 19.00mm (for sizes 20 and 60 only) 2000 = 20.00mm (for sizes 20 and 60 only) 2400 = 24.00mm (for sizes 20 and 60 only) 2500 = 25.00mm (for size 60 only) 3200 = 32.00mm (for size 60 only)</p>
A	<p>ELASTOMER HARDNESS:</p> <p>A = 98 Sh A B = 64 Sh D (for sizes 10 and 20 only)</p>

Elastomer coupling with clamps Mod. COE



DC: hole 1 diameter
DM: hole 2 diameter
See the CODING EXAMPLE



Size	\varnothing_{DE}	\varnothing_{DB}	\varnothing_{DI}	A	C	F	G	B1 [ISO 4762]	Tightening torque (Nm)	Nominal torque with elastomer A (Nm)	Nominal torque with elastomer B (Nm)
05	25	25	10.2	26	8	8	4	M3 (CH2.5)	2	9	-
10	32	32	14.2	32	10.3	10.5	5	M4 (CH3)	4	12.5	16
20	42	44.5	19.2	50	17	15.5	8.5	M5 (CH4)	8	17	21
60	56	57	26.2	58	20	21	10	M6 (CH5)	15	60	-

MOD. COS CODING EXAMPLE

COS	-	10	-	2000	-	1400	-	A
------------	---	-----------	---	-------------	---	-------------	---	----------

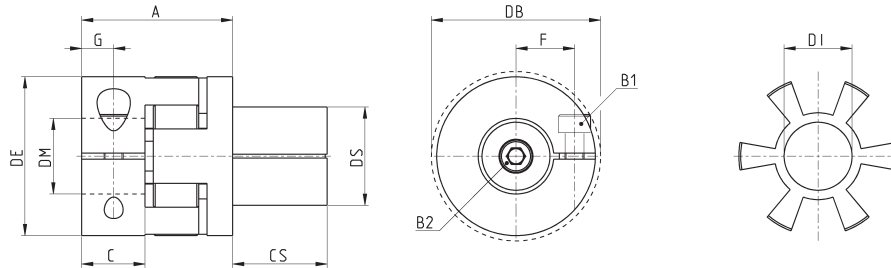
COS	SERIES MODEL
10	SIZE: 10 20 60
2000	SHAFT DIAMETER: 2000 = 20.00mm (for size 10 only) 2600 = 26.00mm (for size 20 only) 3800 = 38.00mm (for size 60 only)
1400	HOLE DIAMETER: 0635 = 6.35mm (for size 10 only) 0800 = 8.00mm (for size 10 only) 1000 = 10.00mm (for size 10 only) 1200 = 12.00mm (for sizes 10 and 20 only) 1400 = 14.00mm (for sizes 10, 20 and 60 only) 1500 = 15.00mm (for sizes 10 and 20 only) 1600 = 16.00mm (for sizes 10, 20 and 60 only) 1900 = 19.00mm (for sizes 20 and 60 only) 2000 = 20.00mm (for sizes 20 and 60 only) 2400 = 24.00mm (for sizes 20 and 60 only) 2500 = 25.00mm (for size 60 only) 3200 = 32.00mm (for size 60 only)
A	ELASTOMER HARDNESS: A = 98 Sh A B = 64 Sh D (for sizes 10 and 20 only)

SERIES CO MOTION TRANSMISSION DEVICES

Elastomer coupling with expansion shaft Mod. COS

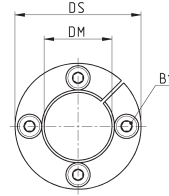
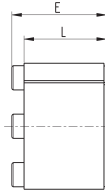


DS: shaft diameter
DM: hole diameter
See the CODING EXAMPLE



Size	\varnothing_{DE}	\varnothing_{DB}	\varnothing_{DI}	A	C	CS	F	G	B1 [ISO4762]	Tightening torque (Nm)	B2 [ISO4762]	Tightening torque (Nm)	Nominal torque with elastomer A (Nm)	Nominal torque with elastomer B (Nm)
10	32	32	14.2	28	10.3	20	10.5	5	M4 (CH3)	4	M5 (CH4)	9	12.5	16
20	42	44.5	19.2	40	17	25	15.5	8.5	M5 (CH4)	8	M6 (CH5)	12	17	21
60	56	57	26.2	46	20	27	21	10	M6 (CH5)	15	M8 (CH6)	32	60	-

Self-centering locking-set Mod. COT



Mod.	\varnothing_{DS}	\varnothing_{DM}	L	E	B1	Torque force (Nm)	Nominal torque (Nm)	Weight (g)
COT-2000-1000	20	10	13	15.5	M2.5 (CH2.5)	1.2	19	25
COT-2600-1400	26	14	17	20	M3 (CH2.5)	2.1	40	50
COT-3800-2000	38	20	21	26	M5 (CH4)	4.9	165	140
COT-4700-2500	47	25	26	32	M6 (CH5)	17	290	200

Quality: our priority commitment

Research, technological innovation, training, respect for personnel, employee and environmental safety and total customer care are all factors that Camozzi considers strategic in the achievement of quality.

To Camozzi quality is a system that ensures excellence, not only of the final product but throughout the entire business process.



QUALITY: OUR PRIORITY COMMITMENT

Our certifications

Camozzi's main goals include quality and safety, the protection of the environment and compatibility of our activities with the territories in which they are performed.

Since 1993 Camozzi has been certified in accordance with the ISO 9001 standard for quality management. In 2003 the company obtained ISO 14001 certification for environmental management.

In the same year, DNV, the global quality assurance and risk management company, certified Camozzi's Integrated Management System, which includes both ISO 9001 and ISO 14001 standards. Furthermore, in 2013 Camozzi obtained ISO/TS 16949 certification for the Series C-Truck and Series 9000 fuel fittings, then transitioned to the new edition of the IATF 16949 standard in 2018.

From 1 July 2003, all products sold in the European Union and destined to be used in potentially explosive areas, had to be approved according to directive 94/9/CE, also known as ATEX.

This directive covered both electrical and non-electrical parts, including for instance pneumatic power and control equipment.

Mandatory directives

- Directive 99/34/EC concerning liability for defective products modified by Legislative Decree 02/02/01 n° 25.
- Directive 2014/35/EU "Equipment designed for use within certain voltages".
- Directive 2014/30/EU "Electromagnetic Compatibility EMC" and relative additions.
- Directive 2014/34/EU "Atex".
- Directive 2006/42/EC "Machinery".
- Directive 2014/68/EU "Pressure Equipment Directive".
- Directive 2001/95/EC "General product safety".
- Regulation 1907/2006 concerning the Registration, Evaluation, Authorisation and Restriction of Chemicals (REACH).

Technical standards

- ISO 4414 - Pneumatic fluid power - General rules and safety requirements for systems and their components

Environmental notes

- Packaging: we respect the environment, so use materials which can be recycled, including recyclable PE and paper.
- Green Design Project: in the study of new products, the environmental impact is always taken into consideration (real project, elaboration, etc.).

Camozzi around the world

Camozzi Automation S.p.A.

Società Unipersonale
Via Eritrea, 20/I
25126 Brescia
Italia
Tel. +39 030/37921
Fax +39 030/2400464
info@camozzi.com
www.camozzi.com

Camozzi Neumatica S.A.

Polo Industrial Ezeiza,
Puente del Inca 2450,
B1812DX, Carlos Spegazzini, Ezeiza
Provincia de Buenos Aires
Argentina
Tel. +54 11/52639399
info@camozzi.com.ar
www.camozzi.com.ar

Camozzi Automation GmbH

Löfflerweg 18
A-6060 Hall in Tirol
Austria
Tel. +43 5223/52888-0
Fax +43 5223/52888-500
info@camozzi.at
www.camozzi.at

Camozzi Pneumatic

66-1, Perehodnaya str.,
220070, Minsk
Belarus
Tel. +375 17/3961170 (71)
Fax +375 17/3961170 (71)
info@camozzi.by
www.camozzi.by

Camozzi do Brasil Ltda.

Rod. Adauto Campo Dall'Orto, 2.200
Condomínio Techville
CEP 13178-440 Sumaré S.P.
Brazil
Tel. +55 19/21374500
sac@camozzi.com.br
www.camozzi.com.br

Shanghai Camozzi Automation Control Co, Ltd.

717 Shuang Dan Road, Malu
Shanghai - 201801
China
Tel. +86 21/59100999
Fax +86 21/59100333
info@camozzi.com.cn
www.camozzi.com.cn

Camozzi S.r.o.

V Chotejně 700/7
Praha - 102 00

Czech Republic

Tel. +420 272/690 994
Fax +420 272/700 485
info@camozzi.cz
www.camozzi.cz

Camozzi Automation ApS

Metalvej 7 F
4000 Roskilde
Denmark
Tel. +45 46/750202
info@camozzi.dk
www.camozzi.dk

Camozzi Automation OÜ

Osmussaare 8
13811 Tallinn
Estonia
Tel. +372 6119055
Fax +372 6119055
info@camozzi.ee
www.camozzi.ee

Camozzi Automation Sarl

5, Rue Louis Gattefossé
Parc de la Bandonnière
69800 Saint-Priest
France
Tel. +33 (0)478/213408
Fax +33 (0)472/280136
info@camozzi.fr
www.camozzi.fr

Camozzi Automation GmbH

Porschestraße 1
D-73095 Albershausen
Germany
Tel. +49 7161/91010-0
Fax +49 7161/91010-99
info@camozzi.de
www.camozzi.de

Camozzi India Private Limited

D-44, Hosiery Complex,
Phase II Extension,
Noida - 201 305
Uttar Pradesh
India
Tel. +91 120/4055252
Fax +91 120/4055200
info@camozzi-india.com
www.camozzi.in

Camozzi Pneumatic

Kazakhstan LLP
Shevchenko/Radostovets,
165b/72g, off. 615
050009 Almaty
Kazakhstan
Tel. +7 727/3335334 - 3236250
Fax +7 727/2377716 (17)
info@camozzi.kz
www.camozzi.kz

Camozzi Malaysia SDN. BHD.

30 & 32, Jalan Industri USJ 1/3
Taman Perindustrian USJ 1
47600 Subang Jaya
Selangor
Malaysia
Tel. +60 3/80238400
Fax +60 3/80235626
cammal@camozzi.com.my
www.camozzi.com.my

Camozzi Neumatica de Mexico S.A. de C.V.

Lago Tanganica 707
Col. Ocho Cedros 2ª sección
50170 Toluca
México
Tel. +52 722/2707880 - 2126283
Fax +52 722/2707860
camozzi@camozzi.com.mx
www.camozzi.com.mx

Camozzi Automation AS

Verkstedveien 8
1400 Ski
Norway
Tel. +47 40644920
info@camozzi.no
www.camozzi.no

Camozzi Pneumatic LLC

Chasnikovo,
Solnechnogorskiy District
Moscow 141592
Russian Federation
Tel. +7 495/786 65 85
Fax +7 495/786 65 85
info@camozzi.ru
www.camozzi.ru

Camozzi Iberica SL

Avda. Altos Hornos de Vizcaya, 33, L-2
48901 Barakaldo - Vizcaya
Spain
Tel. +34 946 558 958
info@camozzi.es
www.camozzi.com

Camozzi Automation AB

Bronsyxegatan 7
213 75 Malmö
Sweden
Tel. +46 40/6005800
info@camozzi.se
www.camozzi.se

Camozzi Automation B.V.

De Vijf Boeken 1 A
2911 BL Nieuwerkerk a/d IJssel
The Netherlands
Tel. +31 180/316677
info@camozzi.nl
www.camozzi.nl

LLC Camozzi

Kirilovskaya Str, 1-3, section "D"
Kiev - 04080
Ukraine
Tel. +38 044/5369520
Fax +38 044/5369520
info@camozzi.ua
www.camozzi.ua

Camozzi Automation Ltd.

The Fluid Power Centre
Watling Street
Nuneaton, Warwickshire
CV11 6BQ
United Kingdom
Tel. +44 (0)24/76374114
Fax +44 (0)24/76347520
info@camozzi.co.uk
www.camozzi.co.uk

Camozzi Automation, Inc.

Street address:
2160 Redbud Boulevard, Suite 101
McKinney, TX 75069-8252
Remittances:
P.O. Box 678518
Dallas, TX 75267-8518
USA
Tel. +1 972/5488885
Fax +1 972/5482110
info@camozzi-usa.com
www.camozzi-usa.com

Camozzi Venezuela S.A.

Calle 146 con Av. 62
N°146-180
P.O. Box 529
Zona Industrial Maracaibo
Edo. Zulia
Venezuela
Tel. +58 261/4116267
info@camozzi.com.ve
www.camozzi.com.ve

Camozzi R.O.

in Hochiminh City
6th Floor, Master Building,
155 Hai Ba Trung St.,
Ward 6, District 3
Hochiminh City
Vietnam
Tel. +84 8/54477588
Fax +84 8/54477877
bhthien@camozzi.com.vn
www.camozzi.com.vn

Camozzi distributors around the world

Europe

ZULEX d.o.o.

Safeta Zajke 115b
Sarajevo
Bosnia-Herzegovina
Tel. +387 33/776580
Fax +387 33/776583
zulex@bih.net.ba
www.zulex.com.ba

L.D. GmbH

Blvd Asen
Yordanov 5
1592 Sofia
Bulgaria
Tel. +359 2/9269011
Fax +359 2/9269025
camozzi@ld-gmbh.com
www.ld-gmbh.com

Bibus Zagreb d.o.o.

Anina 91
HR 10000 Zagreb
Croatia
Tel. +385 1/3818004
Fax +385 1/3818005
bibus@bibus.hr
www.bibus.hr

TS Hydropower Ltd.

Industrial Area N°64
Aglanzia 21-03
Nicosia
Cyprus
Tel. +357 22/332085
Fax +357 22/338608
tshydro@cytanet.com.cy

AVS-Yhtiöt Oy

Rusthollarinkatu 8
02270 Espoo
Finland
Tel. +358 10/6137100
Fax +358 10/6137701
info@avs-yhtiot.fi
www.avs-yhtiot.fi

TECHNOMATIC Group IKE

Esopou str, Kalochori Industrial Park
57009, Thessaloniki
Greece
Tel. +30 2310/752773
Fax +30 2310/778732
info@technomaticgroup.gr
www.technomaticgroup.gr

Tech-Con Hungária Kft

Véső u. 9-11 (entrance: Süllő u. 8.)
1133 Budapest
Hungary
Tel. +36 1/412 4161
Fax +36 1/412 4171
tech-con@tech-con.hu
www.tech-con.hu

Loft & Raftæki

Hjallabrekka 1
200 Kópavogur
Iceland
Tel. +354 564/3000
Fax +354 564/0030
loft@loft.is
www.loft.is

DBF TECHNIC SIA

Bauskas iela 20 - 302
1004 Riga
Latvia
Tel. +371 296 26916
Fax +371 6 7808650
info@pneimatika.lv
www.pneimatika.lv

Hidroteka Engineering UAB

Chemijos 29E
LT-51333 Kaunas
Lithuania
Tel. +370 37/452969
Fax +370 37/760500
hidroteka@hidroteka.lt
www.hidroteka.lt

Rayair Automation Ltd.

KW23G - Corradino Ind. Estate
Paola, PLA3000
Malta
Tel. +356 21/672497
Fax +356 21/805181
sales@rayair-automation.com
www.rayair-automation.com

Bibus Menos Sp. z o.o.

ul. Spadochroniarzy 18
80-298 Gdańsk
Poland
Tel. +48 58/6609570
Fax +48 58/6617132
info@bibusmenos.pl
www.bibusmenos.pl

Experts d.o.o.

Mitropolit Teodosij Gologanov, 149
MK-1000 Skopje
Rep. of Macedonia
Tel. +389 2/3081970
experts@t.mk
www.experts.com.mk

Tech-Con Industry S.r.l.

Calea Crângasi N°60
Sector 6, 060346 Bucharest
Romania
Tel. +40 21/2219640
Fax +40 21/2219766
automatizari@tech-congroup.com
www.tech-con.ro

Tech-Con d.o.o. Beograd

Cara Dušana 205a
11080 Zemun - Belgrade
Serbia
Tel. +381 11/4142790
Fax +381 11/3166760
office.belgrade@tech-congroup.com
www.tech-con.rs

STAF Automation, s.r.o.

Kostiviarska 4944/5
974 01 Banská Bystrica
Slovakia
Tel. +421 48/4722777
Fax +421 48/4722755
staf@staf.sk
www.staf.sk

KOVIMEX d.o.o.

Podskrajnik 60,
SI-1380 Cerknica
Slovenia
Tel. +386 1/7096430
Fax +386 1/7051930
kovimex@kovimex.si
www.kovimex.com

BIBUS AG

Allmendstrasse 26
CH-8320 Fehraltorf
Switzerland
Tel. +41 44/8775011
Fax +41 44/8775019
info.bag@bibus.ch
www.bibus.ch

Hidrel Hidrolik Elemanlar San. Ve Tic. A.Ş.

Percemli Sok. No:7 Tunel Mevkii
34420 Karakoy Istanbul
Turkey
Tel. +90 212 251 73 18 - 249 48 81
Fax +90 212 292 08 50
info@hidrel.com.tr
www.hidrel.com.tr

America

LEVcorp S.A.
Av. Roma No. 7447
Zona Obrajes
La Paz
Bolivia
Tel. +591 2 2815658
Fax +591 2 2815695
info@levcorp.bo
www.levcorp.bo

NOMADA Ltda
Panamericana Norte 2998 unidad 3036
Renca - Santiago
Chile
Tel. +56 2 2904 0032
ventas@nomadachile.com
www.nomadachile.com

Eurotécnica de Costa Rica AYM, S.A.
150 m oeste del cruce de Llorente,
hacia Epa Tibás
Costa Rica
Tel. +506 2241/4242 - 4230
Fax +506 2241/4272
eurotecnica@eurotecnicacr.com
www.eurotecnicacr.com

Fluidica Cia. Ltda.
Abelardo Moncayo Oe4-08 y Av. América
Quito, Pichincha
Ecuador
Tel. +593 2/2440848 - 2/5102004 -
2/2254773
Fax +593 2/2440848
info@fluidica-ec.com
www.fluidica-ec.com

Aplitec S.A. de C.V.
75 Av. Nte,
Residencial Escalon Norte II
Pje KL #3-C
San Salvador
El Salvador
Tel. +503 2557/2666
Fax +503 2557/2652
info@aplitecsv.com
www.aplitecsv.com

Isotex de Panamá, S.A.
Plaza El Conquistador, Local #45
Vía Tocúmen, Panamá City
Panamá
Tel. +507 217-0050
Fax +507 217-0049
info@isotexpty.com

Eicepak S.A.C.
Av. Los Cipreses N° 484 Los Ficus
Santa Anita - Lima
Perú
Tel. +51 1/3628484 - 3627127
- 3628698
ventas1@eicepak.com
www.eicepak.com

LT Industrial, SRL
Ave. Charles Summer #53, suite 24B
Plaza Charles Summer
Santo Domingo, Los Prados
República Dominicana
Tel. +1809-623-5156
Fax +1829-956-7205
info@ltindustrialrd.com

Cocles S.A.
BVAR Artigas 4543 P.O. Box 11800
Montevideo
Uruguay
Telefax +598 22030307/22006428/
22090446
cocles@adinet.com.uy
www.cocles.com.uy

Middle East

Compressed Air Technology Co.Saa
Cairo-Alexandria Desert Road Kilo 28
Behind Gas Station Emirates
Abu Rawash
Egypt
Tel. +20 35391986/35391987/35391985
Fax +20 35391990
neveen@elhaggarmisr.com
info@elhaggarmisr.com
www.elhaggarmisr.com

Automation Yeruham & Co.
34, Hahofet st.
PO Box 1844 Length 5811702 Holon
Israel
Tel. +972 73/2606401
Fax +972 3/5596616
office@ayeruham.com
www.ayeruham.com

Raymond Feghali Co.
For Trade & Industry SARRL
Roumieh industrial zone - Lebanon
P.O. BOX 90-723 Jdeideh
Lebanon
Tel. +961 1/893176 - 3/660287
Fax +961 1/879500
info@raymondfehalico.com
www.raymondfehalico.com

Techno-Line Trading & Services WLL
Ware House 05, Building 2189
Road 1529, Block 115
Hidd
Kingdom of Bahrain
Tel. +973 17783906
Fax +973 17786906
techline@batelco.com.bh
sales@technoline.me

AL-Maram National Co. For Buildings
General Contracting W.L.L.
Shuwaikh Industrial Area Pl. Shop No. 9
Shuwaikh
Kuwait
Tel./Fax +965 24828108
Cell. +965 65615386
almaramkuwait@gmail.com
www.almaramgtc.com

AL-Hawaiya for Industrial Solutions Co.
(ALHA)
Kilo - 3, Makkah Road
P.O. Box 11429
Jeddah 21453
Saudi Arabia
Tel. +966 12/6576874
Fax +966 12/6885061
info@alha.com.sa
www.alha.com.sa

I.M.O.
Industrial Machine Trd. Co. L.L.C.
P.O. Box 20376
Sharjah
United Arab Emirates
Tel. +971 6/5437991 - 6/5437992
Fax +971 6/5437994
imo@eim.ae

Asia

PT. Golden Archy Sakti
Kompleks Prima Centre Blok B2 No.2
Jl.Pool PPD - Pesing Poglar No.11,
Kedaung Kali Angke - Cengkareng,
Jakarta Barat 11710
Indonesia
Tel. +62 21/54377888
Fax +62 21/54377089
sales@archy.co.id
www.archy.co.id

Seika Corporation
Aqua Dojima East Bldg.
16F, 4-4, 1-Chome, Dojimahama,
Kita-Ku Osaka
Japan
Tel. +81 6/63453175
Fax +81 6/63443584
konof@jp.seika.com

Polytechnic Automation
Suite 604, 6th Floor, K. S.
Trade Tower,
New Challi,
Shahrah-e-Liaquat,
Karachi - 74000,
Pakistan
Tel. +9221 32426612
Fax +9221 32426188
polytech_ent@yahoo.com

Exceltec Automation Inc.
608-G, EL-AL Building,
Quezon Avenue, Tatalon
Quezon City, 1113
Philippines
Tel. +632/4161143 - 4161141
- 731 9015
Fax +632/7121672
sales.manila@exltec.com

Exceltec Enviro Pte Ltd
Block 3025 Ubi Road 3
03-141
408653
Singapore
Tel. +65/67436083
Fax +65/67439286
sales@exltec.com

Taewon-AP
Geomdanbuk-ro 40-gil, Buk-gu
Daegu 41511
South Korea
Tel. +82 53 384 1058
Fax +82 53 384 1057
info@taewon-ap.com
www.taewon-ap.com

Korea Flutech Co. Ltd
No15-4, 101-gil Palgong-ro, Dong-gu,
Daegu, 41005
South Korea
Tel. +82 53 213 9090
Fax +82 53 353 5997
info@kflutech.com
www.kflutech.com

>>

Camozzi distributors around the world

Savikma Automation & Engineering Services (Pvt) Ltd.

22, Wattededara Road
Maharagama
Sri Lanka
Tel. +94 115642164
Hot line +94 777800070
Fax +94 112844777
saes@stnet.lk

Zenith Automation International Co., Ltd.

1F., No.9, Aly. 1, Ln. 5,
Sec. 3, Ren'ai Rd.,
Da'an Dist., Taipei City 10651
Taiwan (R.O.C.)
Tel. +886 2/2781 1267
Fax +886 2/3322 8973
zaisales@z-auto.com.tw
www.z-auto.com.tw

Pneumax Co. Ltd.

107/1 Chaloen Phrakiat R.9 Rd.,
Pravet - Bangkok 10250
Thailand
Tel. +66 2/7268000
Fax +66 2/7268260
import@pneumax.co.th
www.pneumax.co.th

Africa

Boudissa Technology Sarl

25, Cité 20 Août 1955
Oued Roumane El Achour
Algiers - 16403

Algeria

Tel./Fax +213 (0) 23316751
Tel./Fax +213 (0) 23316733
contact@boudissatech.com
www.boudissatech.com

DISMATEC

Distribution de Matériels Techniques

N° RCCM-CI-ABJ-2010B1882
16 BP 236 ABIDJAN 16

Ivory Coast

Tel. +225 21267091
Fax +225 21262367
dismatec2002@yahoo.fr

Hydramatics Control Equipment

15 Village Crescent,
Linbro Business Park,
Sandton Johannesburg 2065

South Africa

Tel. +2711/6081340 - 1 - 2
Fax +2786/5516311
sales@hydramatics.co.za
www.hydramatics.co.za

A.T.C. Automatism

Avenue Habib Bourguiba
Centra Said - BP 25 2033
Megrine

Tunisia

Tel. +216 71/297328
Fax +216 71/429084
commercial@atc-automatisme.com
www.atc-automatisme.com

Oceania

Griffiths Components Pty Ltd

605 Burwood Hwy
Knoxfield Victoria
Melbourne 3180

Australia

Tel. +61 3/9800 6500
Fax +61 3/9801 8553
enquiry@camozzi.com.au

Contacts

Camozzi Automation S.p.A.

Società Unipersonale
Via Eritrea, 20/I
25126 Brescia
Italy
Tel. +39 030 37921
info@camozzi.com

